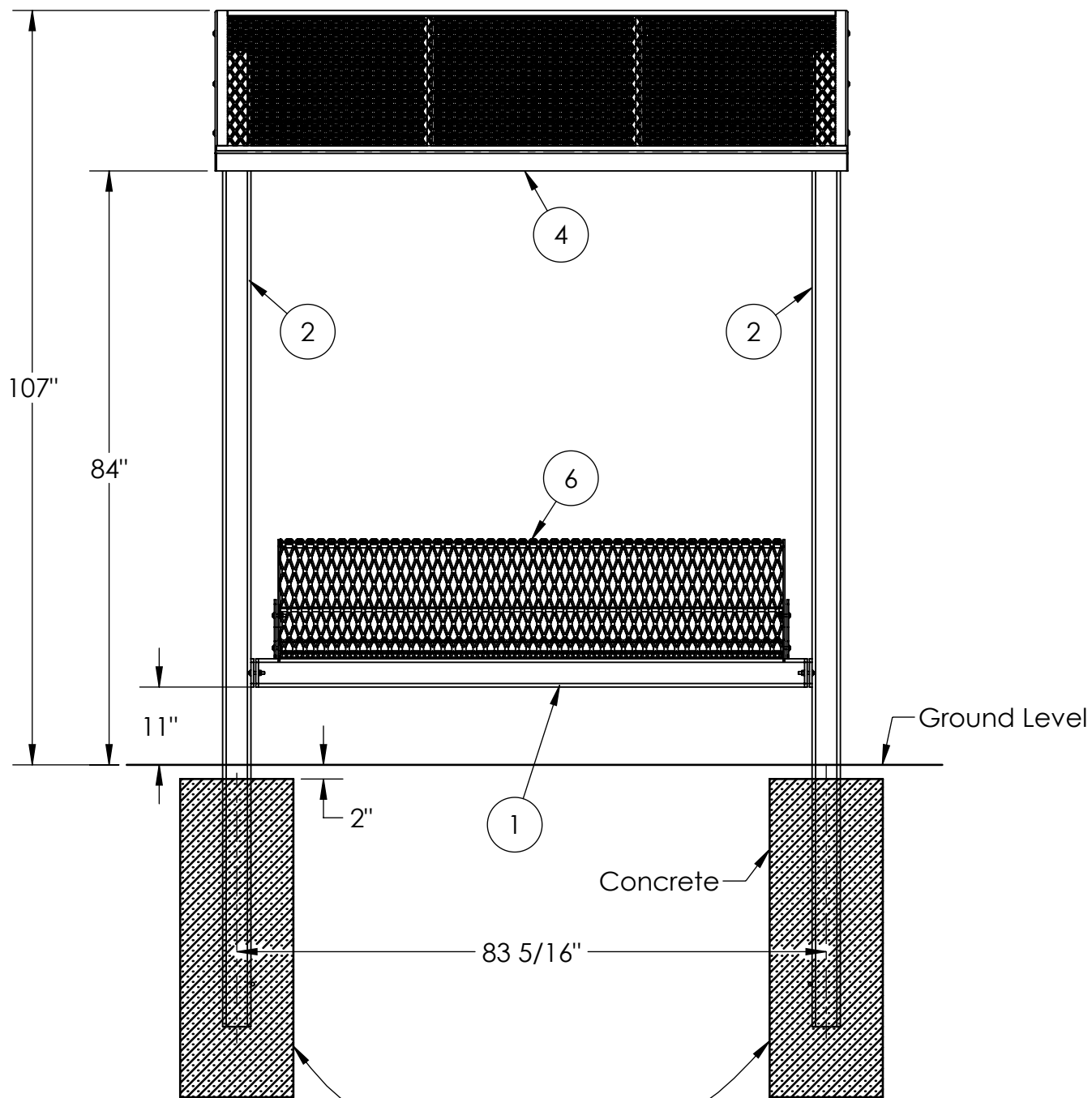




6' Grand Contour Expanded Metal Direct Bury Bench with Expanded Metal Shade Structure

964-302
4-21-2026



Always consult your local building codes for specific requirements for depth, size, and reinforcement of the footings for this structure.



PREMIER POLYSTEEL

The Best Commercial Outdoor Furniture Available. Period.



SIZE
A

Sheet 1 OF 6



6' Grand Contour Expanded Metal Direct Bury Bench with Expanded Metal Shade Structure

964-302
4-21-2026

Always consult your local building codes for specific requirements for depth, size, and reinforcement of the footings for this structure.

1. Drill out plastic from all fixing holes using a 7/16" drill bit
2. Mark out the post centers on the ground in the desired location.
3. Drill 2 holes to the required diameter and depth (see note above).
4. Bolt the bench support bar to the posts using fixings provided and tighten up.
5. You will need a spreader beam to support the tops of the posts and keep them from moving. We recommend a 2"x4" piece of lumber at 86 7/8" long screwed to the tops of the posts through the holes in the fixing plates.
6. Place the posts into the holes and support them.
7. Level and adjust the posts to desired height. Maximum height is 101" from the ground to the top of the post.
8. Fill the holes with concrete to approximately 2" below ground level or fill to no higher than ground level and crown the top so that water will run off.
9. Let stand for 24 hours before removing the supports.
10. Bolt both end frames onto the posts, level and tighten up.
11. Lift up and bolt both roof structures to the posts/end frames, level and tighten up.
12. Attach the bench to the bench support frame, level and tighten up.

Periodic check of bolts tightness recommended

In accordance to California law: WARNING - This product contains a chemical known to the State of California to cause cancer and birth defects or other reproductive harm.

ITEM NO.	PART NUMBER	DESCRIPTION	QTY.
1	660-003	Shade Structure Seat Support Beam	1
2	660-005	Shade Structure Main Post	2
3	660-001	Shade Structure Roof End Frame	2
4	660-004	Shade Structure Roof Frame	1
5	660-006	Shade Structure Roof Frame	1
6	623-015	6' GC Expanded Bench with Back	1
7	660-002	Shade Structure Roof Brace	2
8	516-072	3/8"x2" SS Button Head Cap Screw	4
9	516-031	3/8"x1-3/4" SS Btn Skt Cap Screw	4
10	516-044	3/8"x1-1/2" SS Btn Skt Cap Screw	28
11	516-023	3/8" SS Flat Washer	72
12	516-028	3/8" SS Nylock Nut	36



PREMIER POLYSTEEL

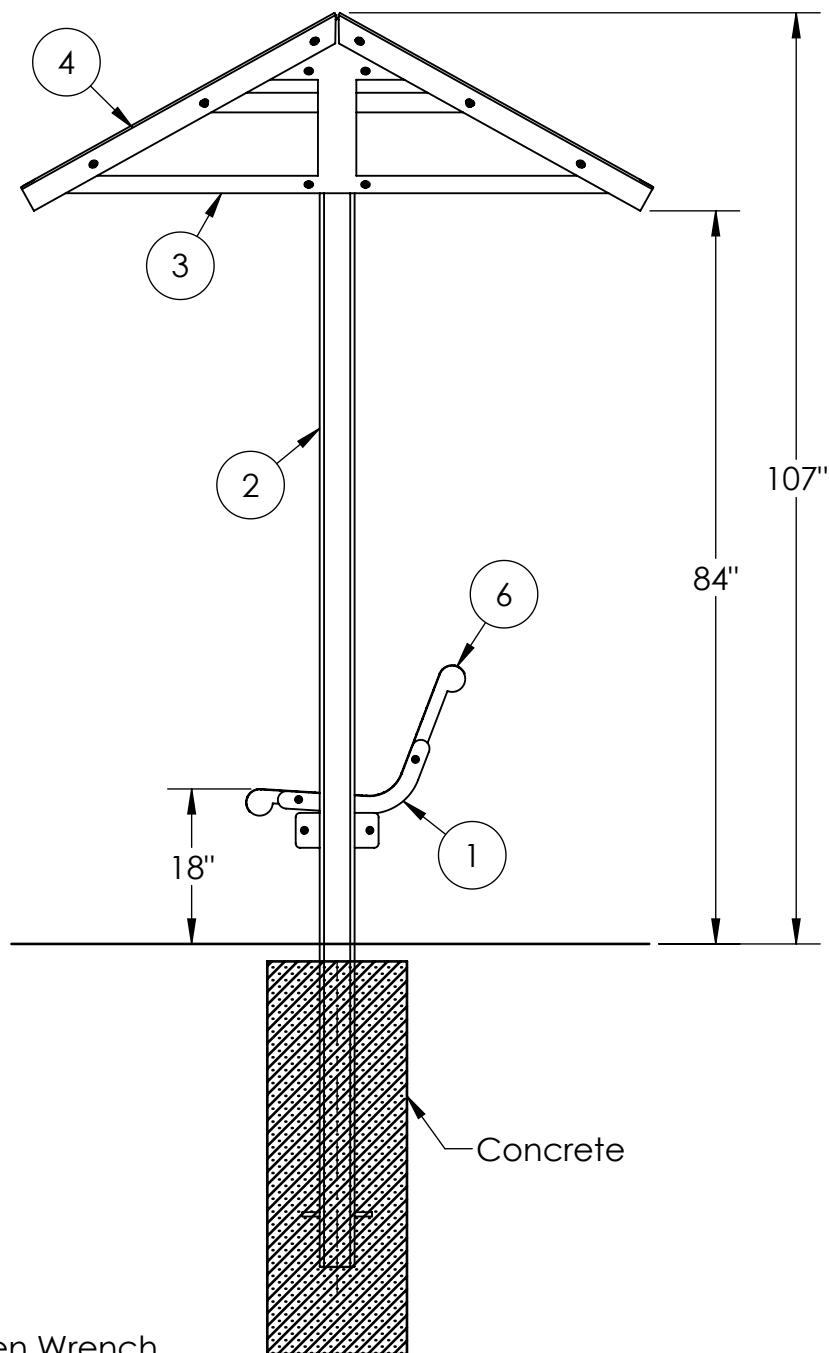
The Best Commercial Outdoor Furniture Available. Period.





6' Grand Contour Expanded Metal Direct Bury Bench with Expanded Metal Shade Structure

964-302
4-21-2026



Tools List

- 7/16" Drill bit
- 9/16" Socket
- 9/16" Wrench
- 7/32" Hex Key/Allen Wrench
- Level
- Impact Gun (Optional)
- Drill



PREMIER POLYSTEEL

The Best Commercial Outdoor Furniture Available. Period.



SIZE
A

Sheet 3 OF 6



6' Grand Contour Expanded Metal Direct Bury Bench with Expanded Metal Shade Structure

964-302
4-21-2026



PREMIER POLYSTEEL

The Best Commercial Outdoor Furniture Available. Period.



SIZE
A



6' Grand Contour Expanded Metal Direct Bury Bench with
Expanded Metal Shade Structure

964-302
4-21-2026



PREMIER POLYSTEEL

The Best Commercial Outdoor Furniture Available. Period.



SIZE
A



6' Grand Contour Expanded Metal Direct Bury Bench with Expanded Metal Shade Structure

964-302
4-21-2026

When installed in conjunction with a 16" diameter 2500 psi compressive strength concrete foundation 48" deep, in soils having an allowable lateral soil load of 100 psf / ft of depth, the 6' Grand Contour Expanded Metal Direct Bury Bench with Expanded Metal Shade Structure as described in pages 1 through 6 of drawing 964-302 dated 4-21-2026 will meet IBC 2024 / IBC 2021 / ANSI 7-22 requirements related to foundation strength. The depth of the foundation must be, at minimum, as determined by frost line, which is determined through locally applied building code. This assessment is contingent on the bench being installed per the instructions listed on drawing 964-302 dated 4-21-2026, and the bench being classified through local assessment as within wind risk category 1 with applied wind speeds of 105 MPH, in a topographical environment consistent with exposure C. For stronger soils and less demanding terrain, foundation requirements may be adjusted as determined through a professional engineering assessment of local building codes and local conditions. This assessment is intended as a guide only for code officials and installers who are fully aware of local conditions and building codes.

I hereby certify that the plan, report, or specification on this page was prepared by me or under my direct supervision and that I am a duly Licensed Professional Engineer under the laws of the state of Iowa. As such, this assessment is valid for use within the state of Iowa.



Expiration: 12-31-2027



PREMIER POLYSTEEL

The Best Commercial Outdoor Furniture Available. Period.

