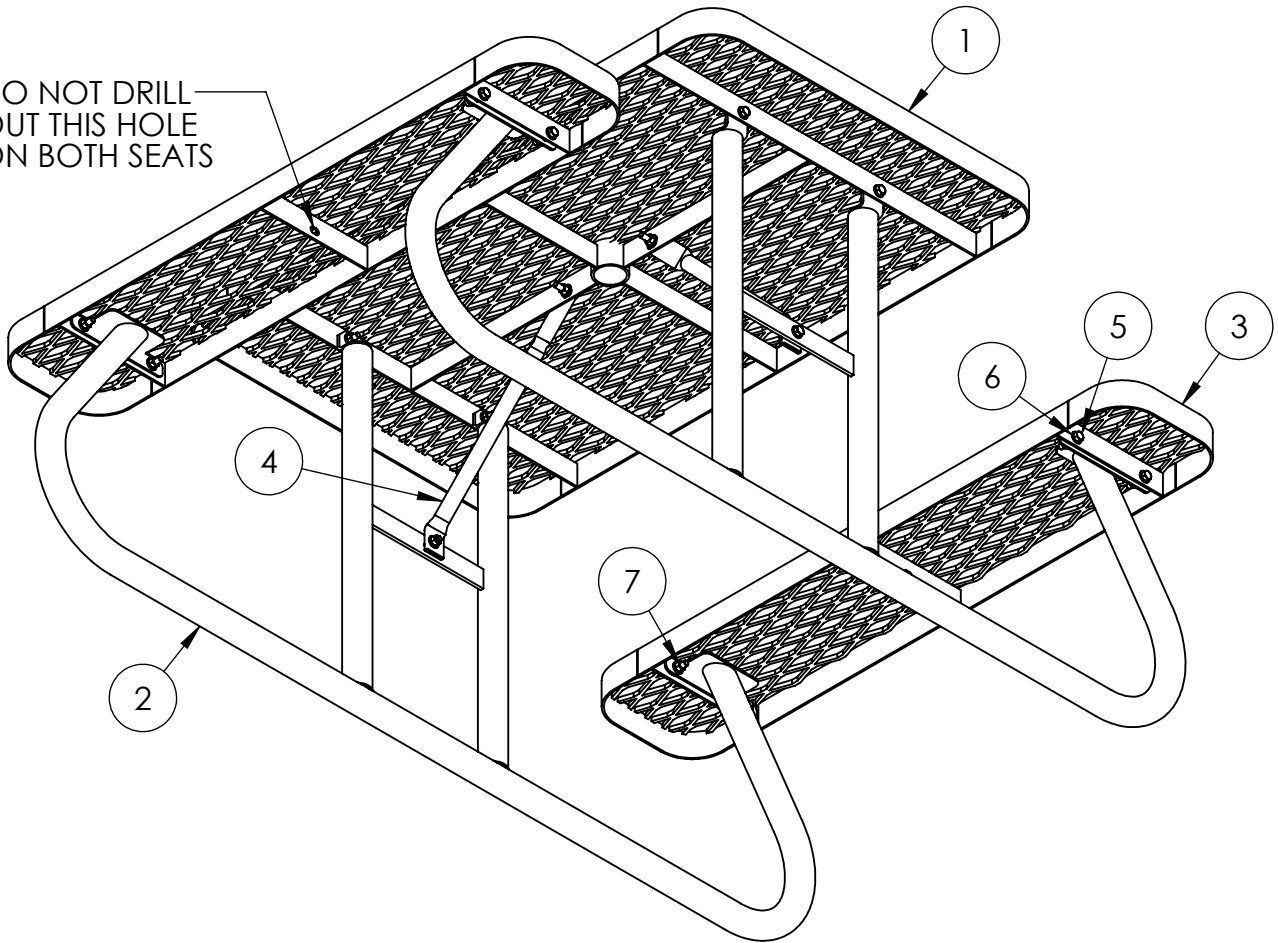




# 4' Champion Rectangle Table, Free Standing

924-101

DO NOT DRILL  
OUT THIS HOLE  
ON BOTH SEATS



1. Drill plastic out of the holes using a 7/16" diameter drill bit.
2. Attach both legs to the inside of the table support bar (see view above).
3. Attach the seats to the legs.
4. Attach the straight end of each brace to the table (see view above).
5. Attach the bent end of each brace to the cross bar of each leg (see view above).
6. Tighten up all fixings.

In accordance to California law: WARNING - This product contains a chemical known to the State of California to cause cancer and birth defects or other reproductive harm.

ITEM NO.	PART NUMBER	DESCRIPTION	QTY.
1	642-011	4' Champion Table Top	1
2	634-010	Free Standing Table Stand For Seats	2
3	622-011	Champion 4' Seat/Back	2
4	634-011	4ft FS Table Brace 19 1/4"	2
5	516-058	3/8"x1-1/2" SS Hex Bolt	16
6	516-023	3/8" SS Flat Washer	32
7	516-028	3/8" SS Nylock Nut	16



## PREMIER POLYSTEEL

The Best Commercial Outdoor Furniture Available. Period.



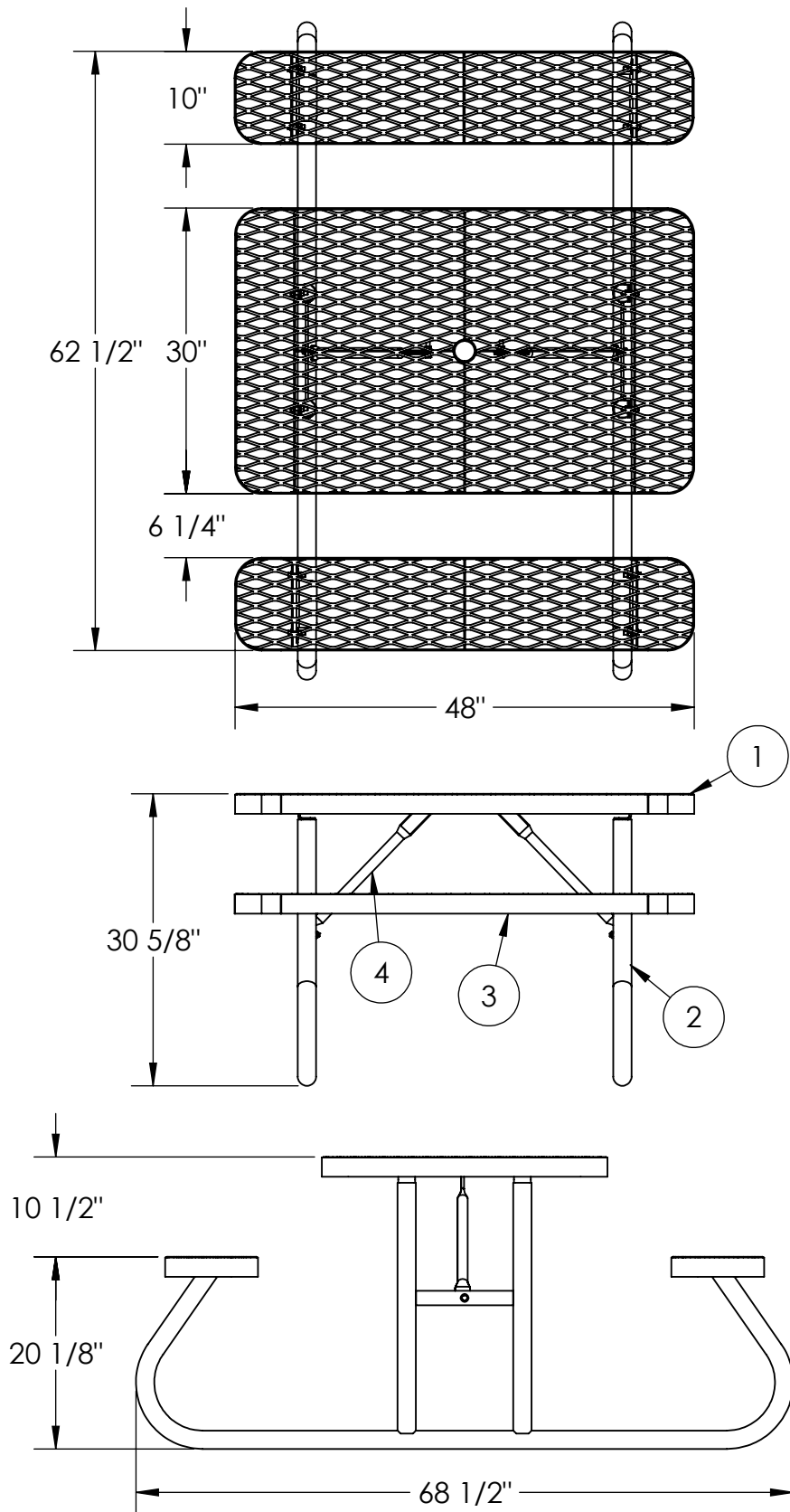
SIZE  
A

REV. X.01 SHEET 1 OF 2



# 4' Champion Rectangle Table, Free Standing

924-101



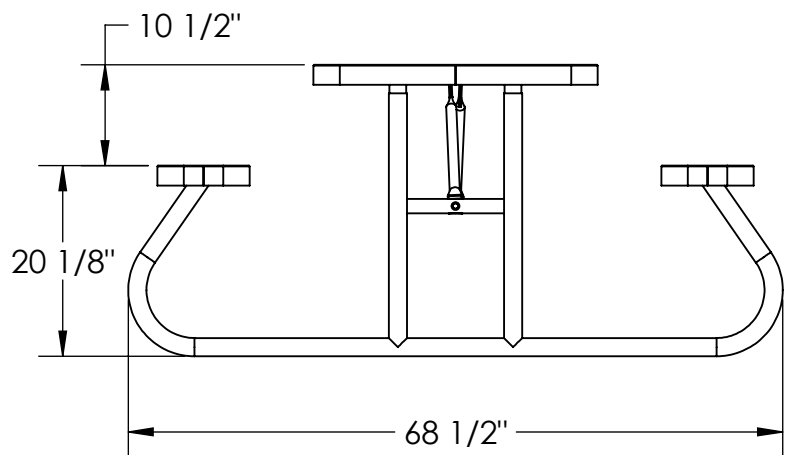
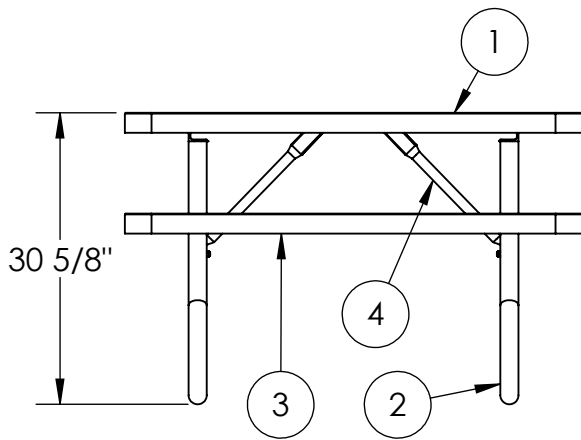
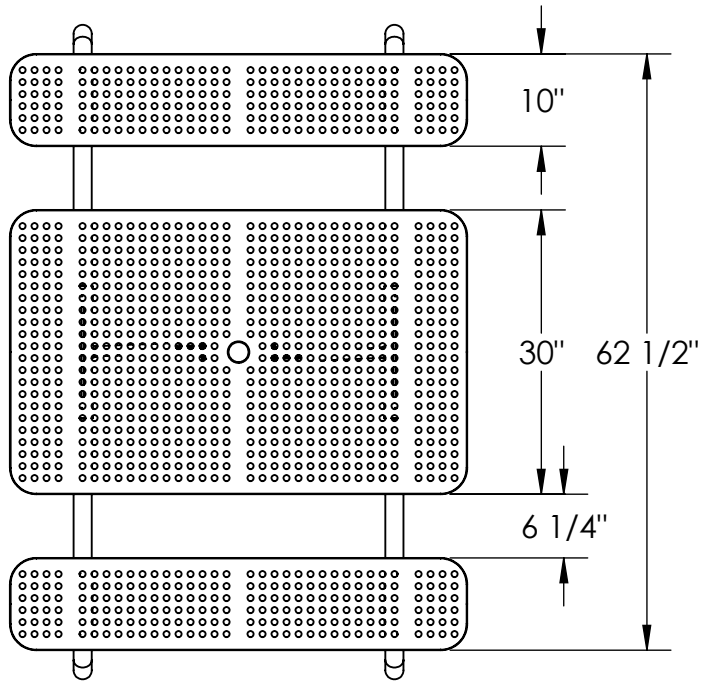
## PREMIER POLYSTEEL

The Best Commercial Outdoor Furniture Available. Period.



SIZE  
A

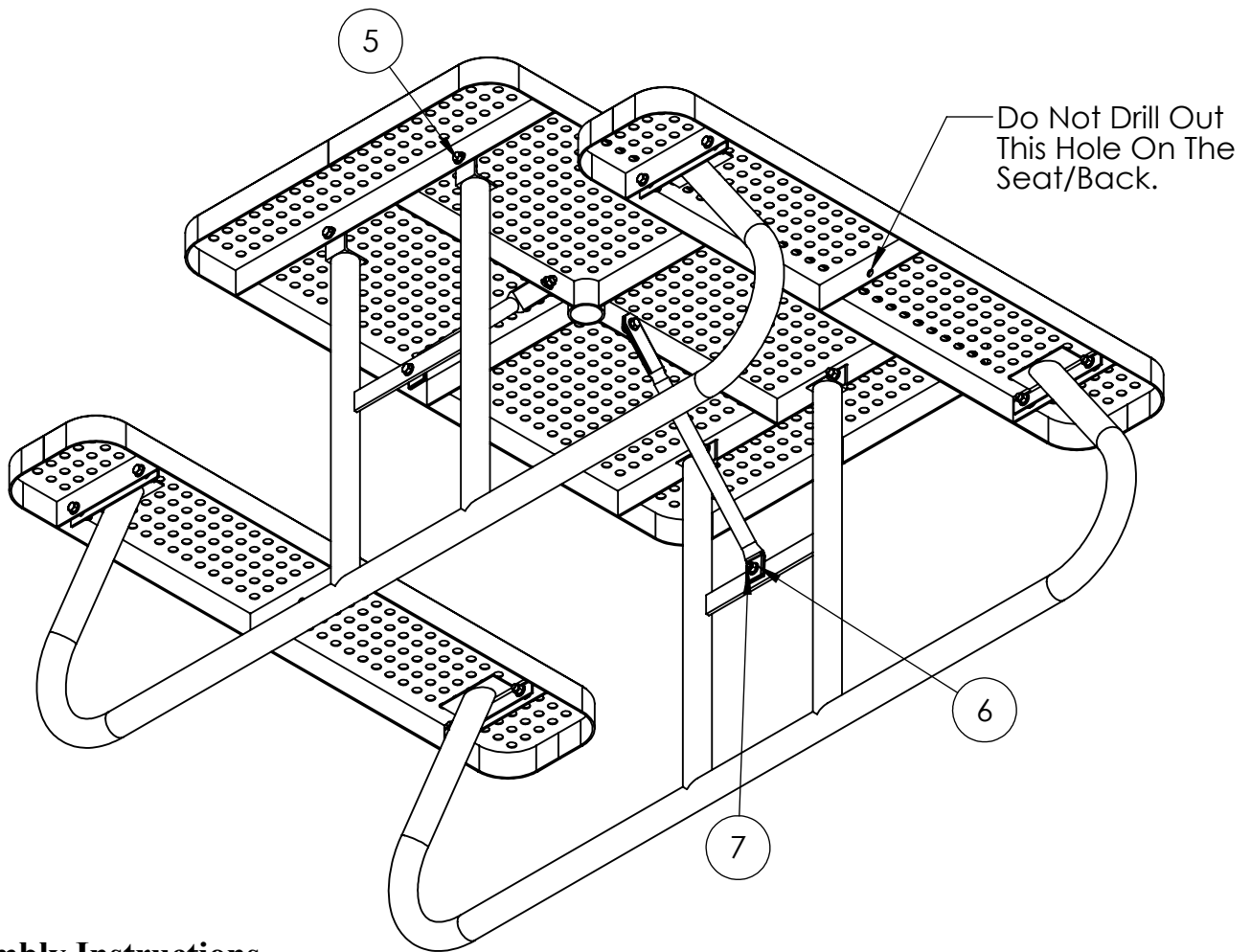
REV. X.01 | SHEET 2 OF 2



**PREMIER POLYSTEEL**

The Best Commercial Outdoor Furniture Available. Period.





### Assembly Instructions

1. Drill out holes.
2. Attach both legs to the inside of table support bar. (See view above)
3. Attach the seats to the legs.
4. Attach the straight end of each brace to the table. (See view above)
5. Attach bent end of both braces to the cross bar of each leg. (See view above)

In Accordance to California law: WARNING This product contains a chemical known to the State of California to cause cancer and birth defects or other reproductive harm.

ITEM NO.	PART NUMBER	DESCRIPTION	QTY.
1	642-0P1	4' Champion Perforated Metal Table Top	1
2	634-010	FS Table Stand (10" Seats)	2
3	622-0P1	4' Champion Perforated Seat/Back	2
4	634-011	4ft Free Standing Table Brace	2
5	516-058	3/8"x1-1/2" SS Hex Bolt	16
6	516-023	3/8" SS Flat Washer	32
7	516-028	3/8" SS Nylock Nut	16



# PREMIER POLYSTEEL

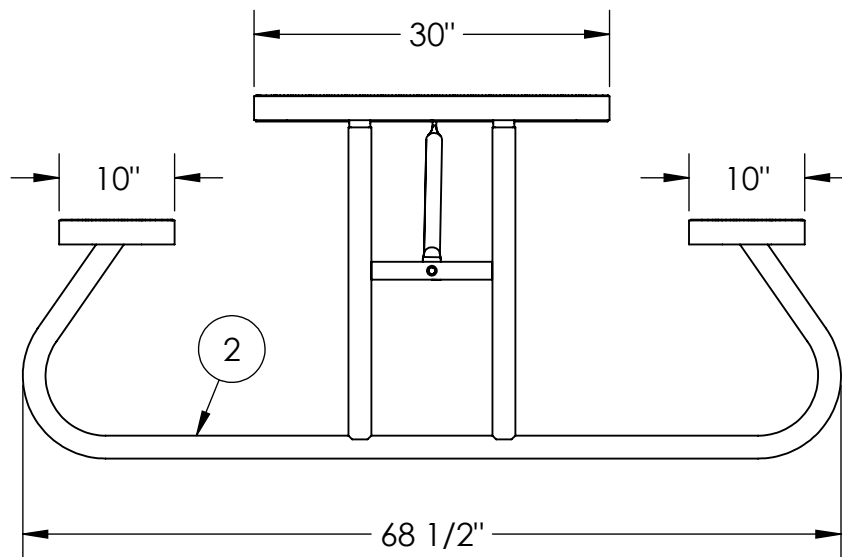
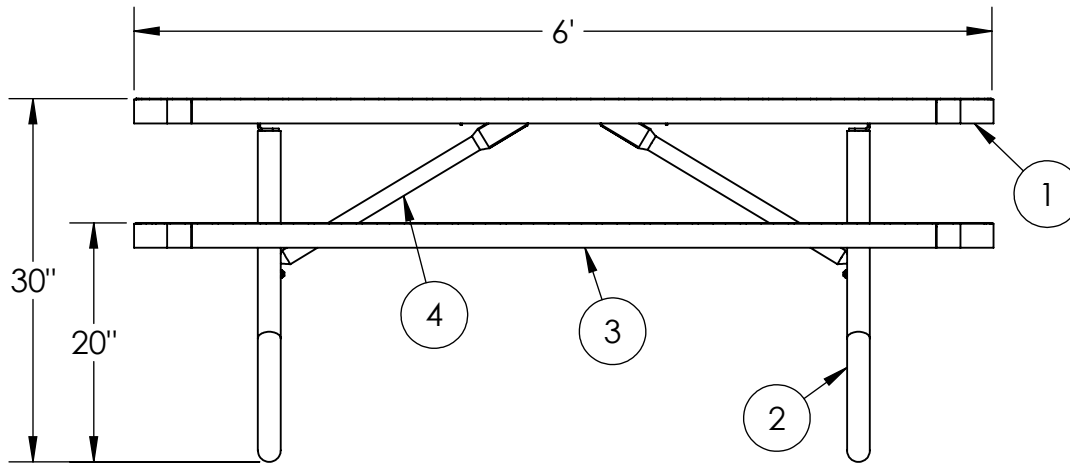
The Best Commercial Outdoor Furniture Available. Period.





# 6' Champion Expanded Metal Free Standing Picnic Table

924-301



ITEM NO.	PART NUMBER	DESCRIPTION	QTY.
1	642-013	6' Champion Table Top (QS)	1
2	634-010	Free Standing Table Stand For Seats	2
3	622-013	6' Champion Seat/Back (QS)	2
4	634-013A	Table Brace	2
5	516-058	3/8"x1-1/2" SS Hex Bolt	16
6	516-023	3/8" SS Flat Washer	32
7	516-028	3/8" SS Nylock Nut	16



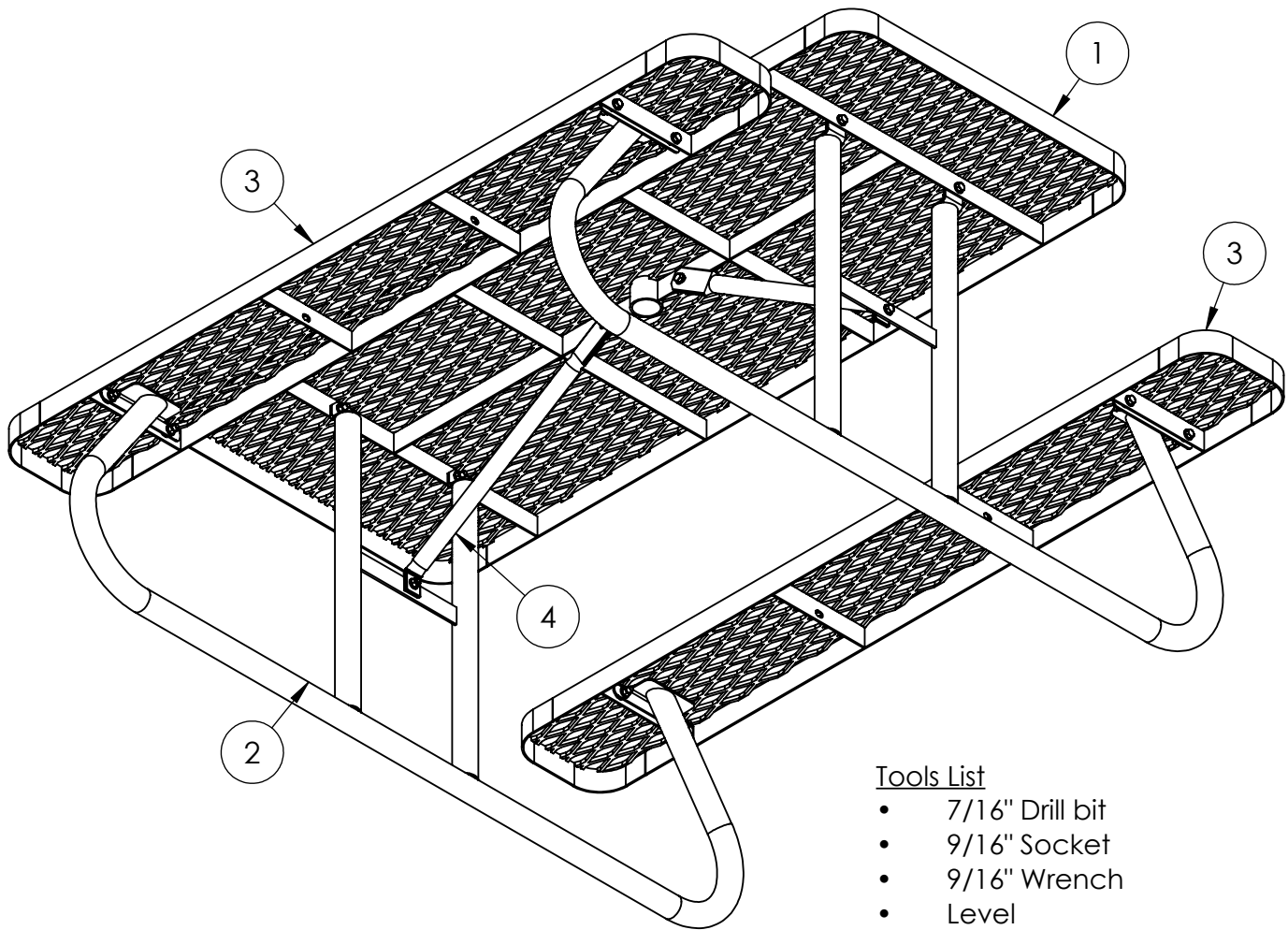
## PREMIER POLYSTEEL

The Best Commercial Outdoor Furniture Available. Period.



SIZE  
A

REV. X.01 | SHEET 1 OF 2



Tools List

- 7/16" Drill bit
- 9/16" Socket
- 9/16" Wrench
- Level
- Impact Gun (Optional)
- Drill

1. Drill out all holes using a 7/16" diameter drill bit.
2. Place the tabletop upside down on top of a pair of sawhorses or 12" blocks (cover the blocks with cardboard).
3. Attach both stands to the inside of table support bar. (See diagram above). Do not tighten completely.
4. Turn the table over.
5. Attach the seats to the stands.
6. Attach the straight end of each brace to the table. (See diagram above)
7. Attach bent end of both braces to the cross bar of each stand. (See diagram above)
8. Level the seats and table then tighten up bolts.

*Periodic check of bolts tightness recommended*

In accordance to California law: WARNING - This product contains a chemical known to the State of California to cause cancer and birth defects or other reproductive harm.



**PREMIER POLYSTEEL**

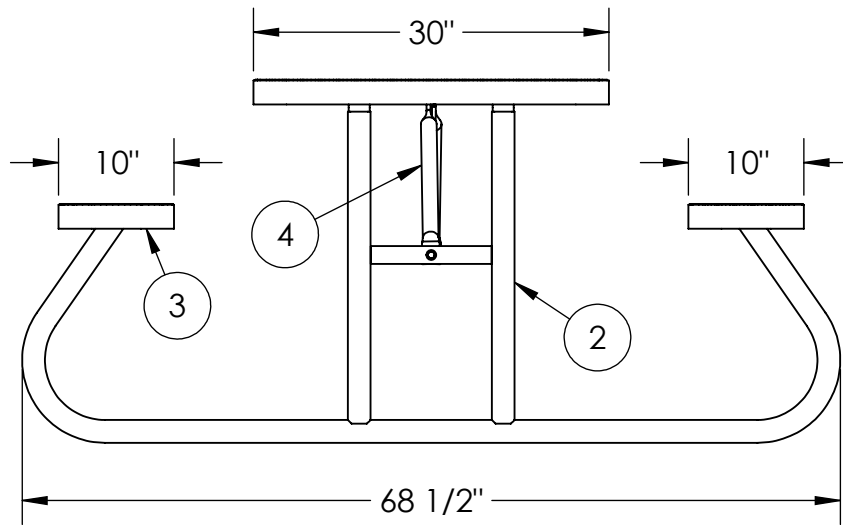
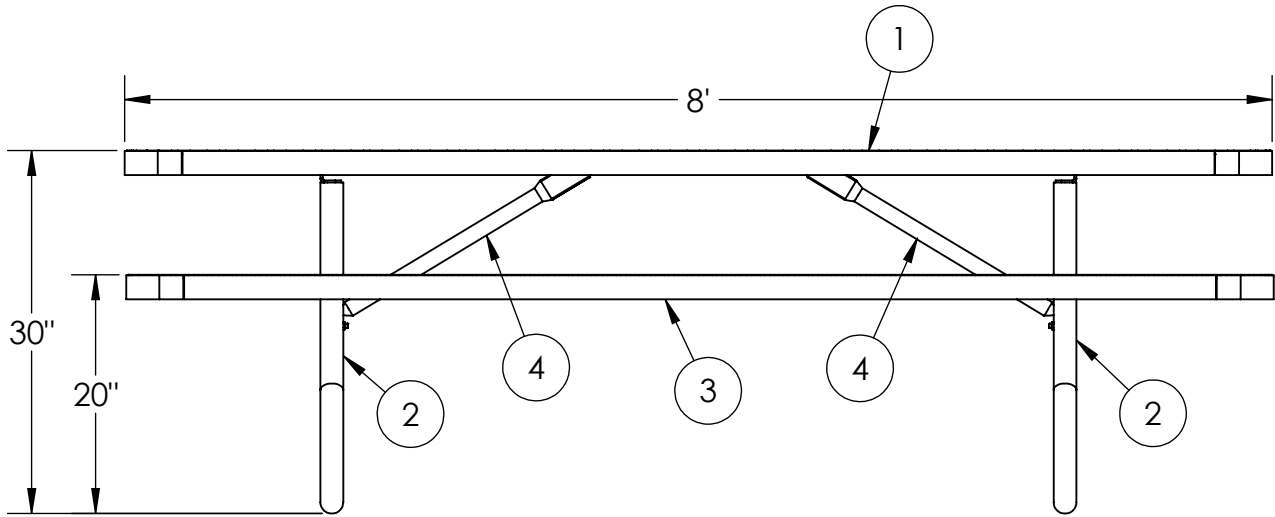
The Best Commercial Outdoor Furniture Available. Period.





# 8' Champion Expanded Metal Free Standing Picnic Table

924-501



ITEM NO.	PART NUMBER	DESCRIPTION	QTY.
1	642-015	8' Champion Table Top (QS)	1
2	634-010	Free Standing Table Stand For Seats	2
3	622-015	8' Champion Seat/Back (QS)	2
4	634-013A	Table Brace	2
5	516-058	3/8"x1-1/2" SS Hex Bolt	16
6	516-023	3/8" SS Flat Washer	32
7	516-028	3/8" SS Nylock Nut	16



## PREMIER POLYSTEEL

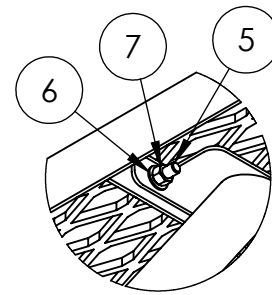
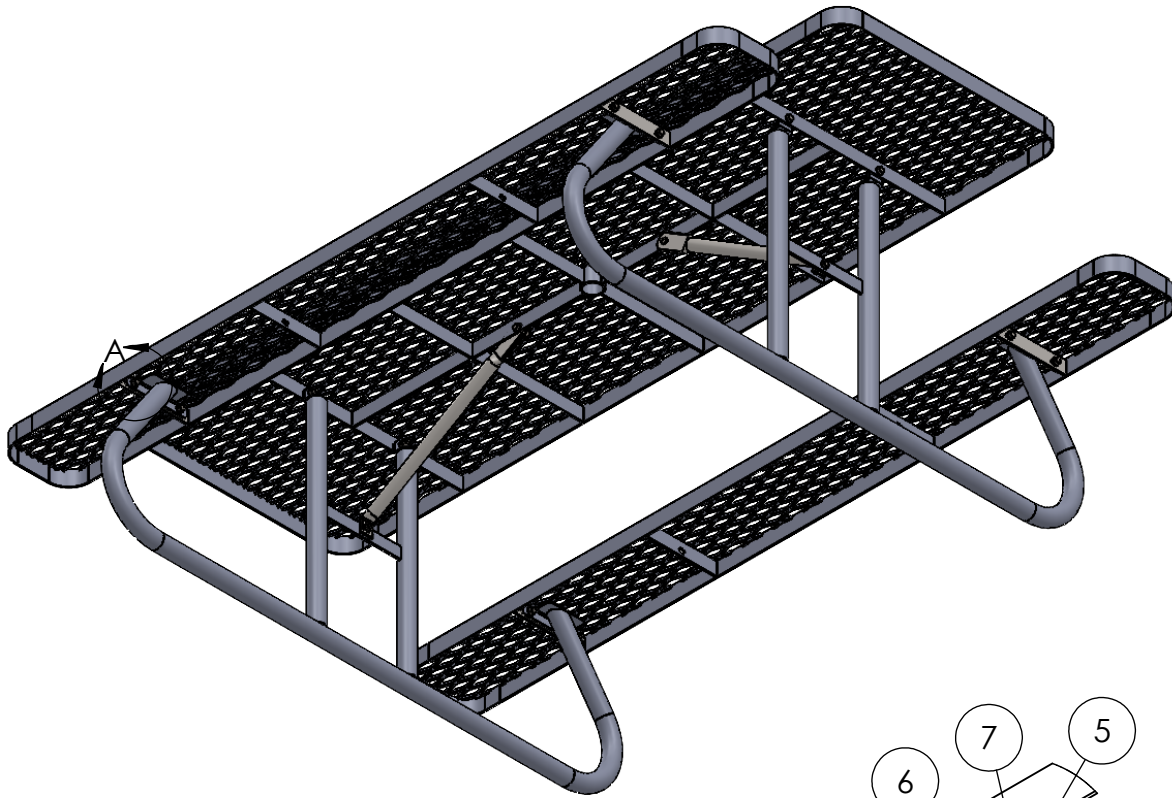
The Best Commercial Outdoor Furniture Available. Period.



SIZE  
A

REV. X.01 SHEET 1 OF 2





DETAIL A  
SCALE 1 : 6

Tools List

- 7/16" Drill bit
- 9/16" Socket
- 9/16" Wrench
- 7/32" Allen Wrench
- Drill

1. Drill plastic out of the holes using a 7/16" diameter drill bit.
2. Attach both legs to the inside of the table support bar (see view above).
3. Attach the seats to the legs.
4. Attach the straight end of each brace to the table (see view above).
5. Attach the bent end of each brace to the cross bar of each leg (see view above).
6. Tighten up all fixings.

*Periodic check of bolts tightness recommended*

In accordance to California law: WARNING - This product contains a chemical known to the State of California to cause cancer and birth defects or other reproductive harm.



**PREMIER POLYSTEEL**

The Best Commercial Outdoor Furniture Available. Period.

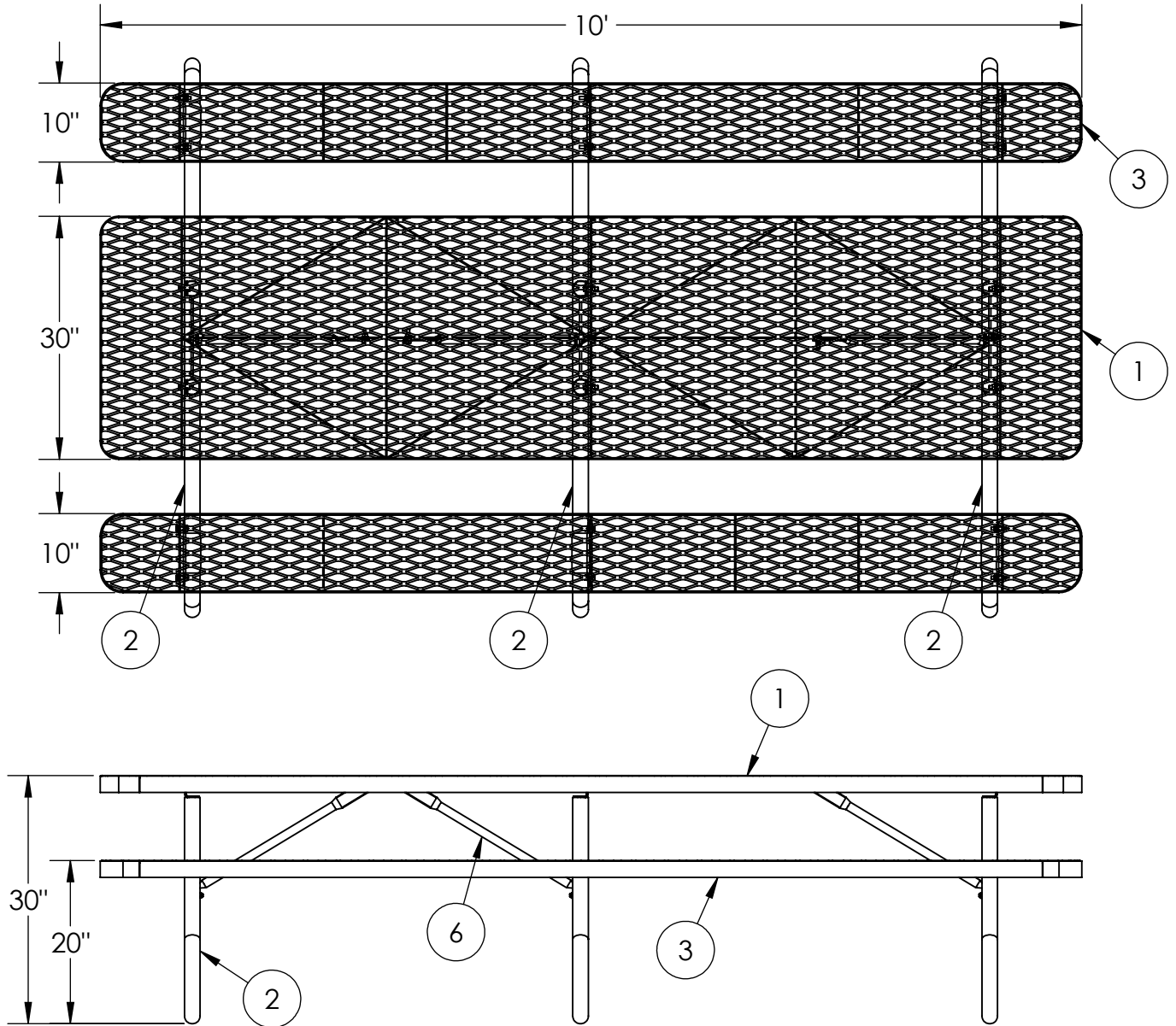






# 10' Champion Expanded Metal Free Standing Picnic Table

924-601



ITEM NO.	PART NUMBER	DESCRIPTION	QTY.
1	642-016	10' Champion Table Top	1
2	634-010	Free Standing Table Stand For Seats	3
3	622-016	10' Champion Seat/Back	2
4	516-058	3/8"x1-1/2" SS Hex Bolt	24
5	516-023	3/8" SS Flat Washer	48
6	634-013A	TABLE BRACE	3
7	516-028	3/8" SS Nylock Nut	24

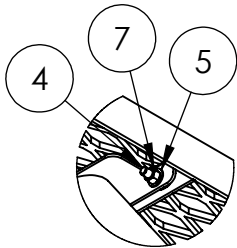
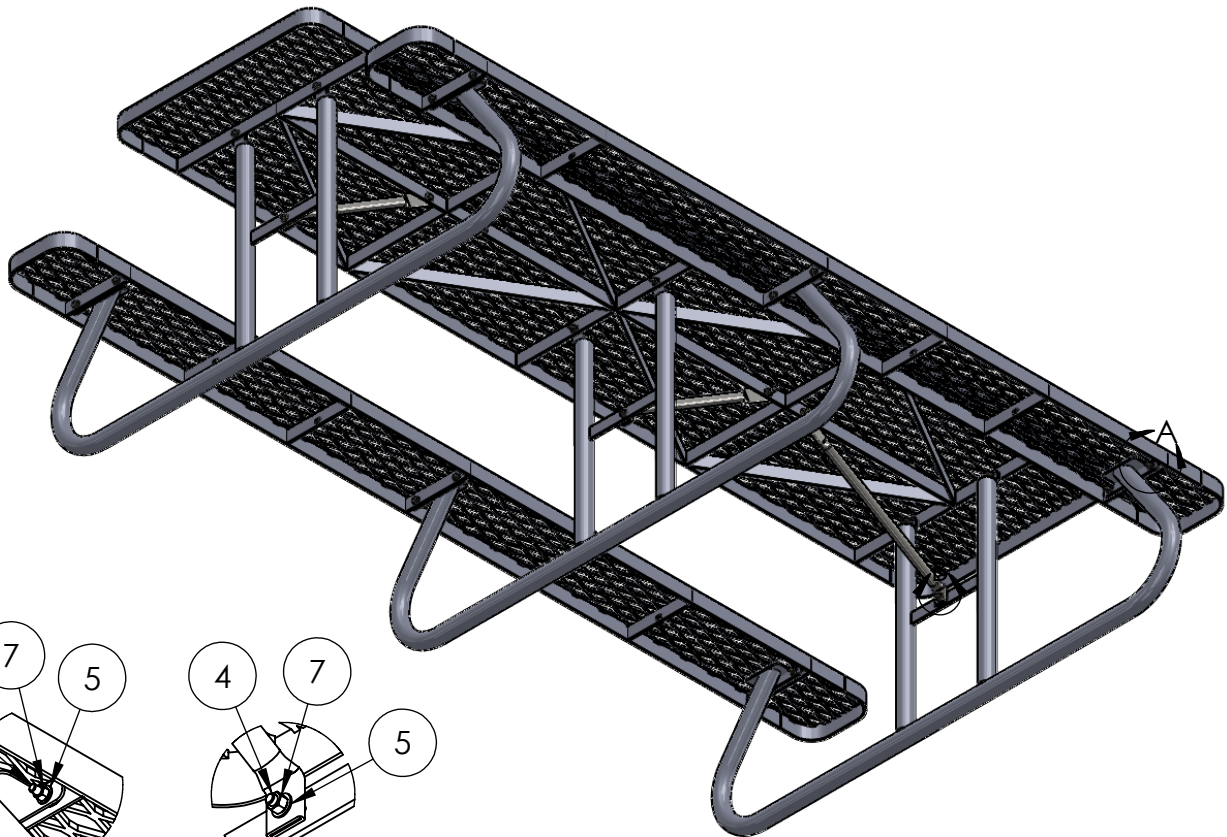


## PREMIER POLYSTEEL

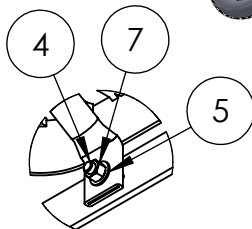
The Best Commercial Outdoor Furniture Available. Period.



SIZE  
**A**



DETAIL A  
SCALE 1 : 8



DETAIL B  
SCALE 1 : 6

1. Drill plastic out of the mounting holes on the seat, stands and braces using a 7/16" diameter drill bit.
2. Attach both stands to the inside of table support bar loosley with fixings provided. (See diagram above)
3. Attach the seats to the stands.
4. Attach the straight end of each brace to the table. (See diagram above)
5. Attach bent end of both braces to the cross bar of each stand. (See diagram above)
6. Set on level surface and tighten up bolts.

Tools List

- 7/16" Drill bit
- 9/16" Socket
- 9/16" Wrench
- 7/32" Allen Wrench
- Drill

*Periodic check of bolts tightness reccommended*

In accordance to California law: WARNING - This product contains a chemical known to the State of California to cause cancer and birth defects or other reproductive harm.



**PREMIER POLYSTEEL**

The Best Commercial Outdoor Furniture Available. Period.

