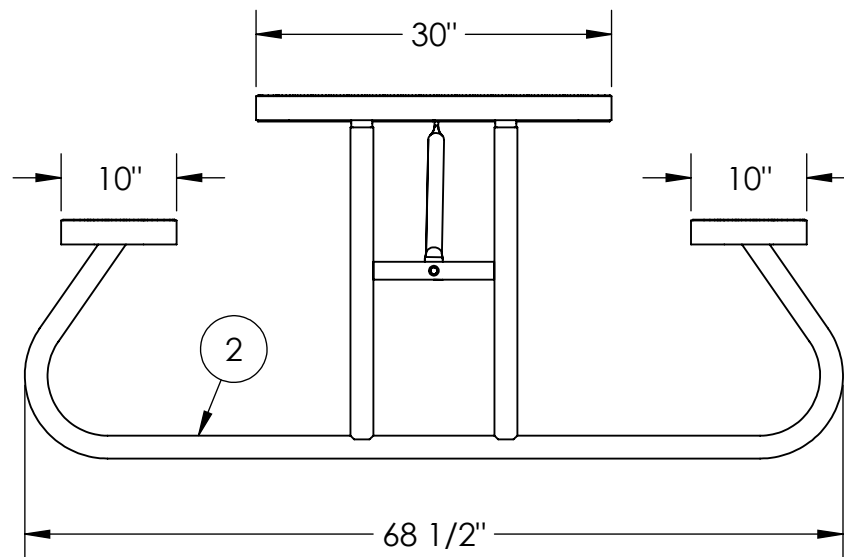
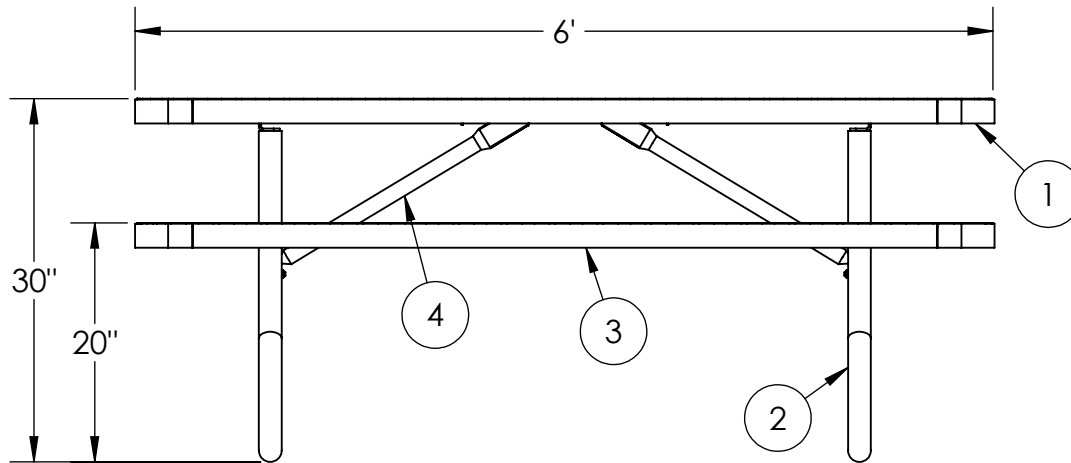




# 6' Champion Expanded Metal Free Standing Picnic Table

924-301



| ITEM NO. | PART NUMBER | DESCRIPTION                         | QTY. |
|----------|-------------|-------------------------------------|------|
| 1        | 642-013     | 6' Champion Table Top (QS)          | 1    |
| 2        | 634-010     | Free Standing Table Stand For Seats | 2    |
| 3        | 622-013     | 6' Champion Seat/Back (QS)          | 2    |
| 4        | 634-013A    | Table Brace                         | 2    |
| 5        | 516-058     | 3/8"x1-1/2" SS Hex Bolt             | 16   |
| 6        | 516-023     | 3/8" SS Flat Washer                 | 32   |
| 7        | 516-028     | 3/8" SS Nylock Nut                  | 16   |



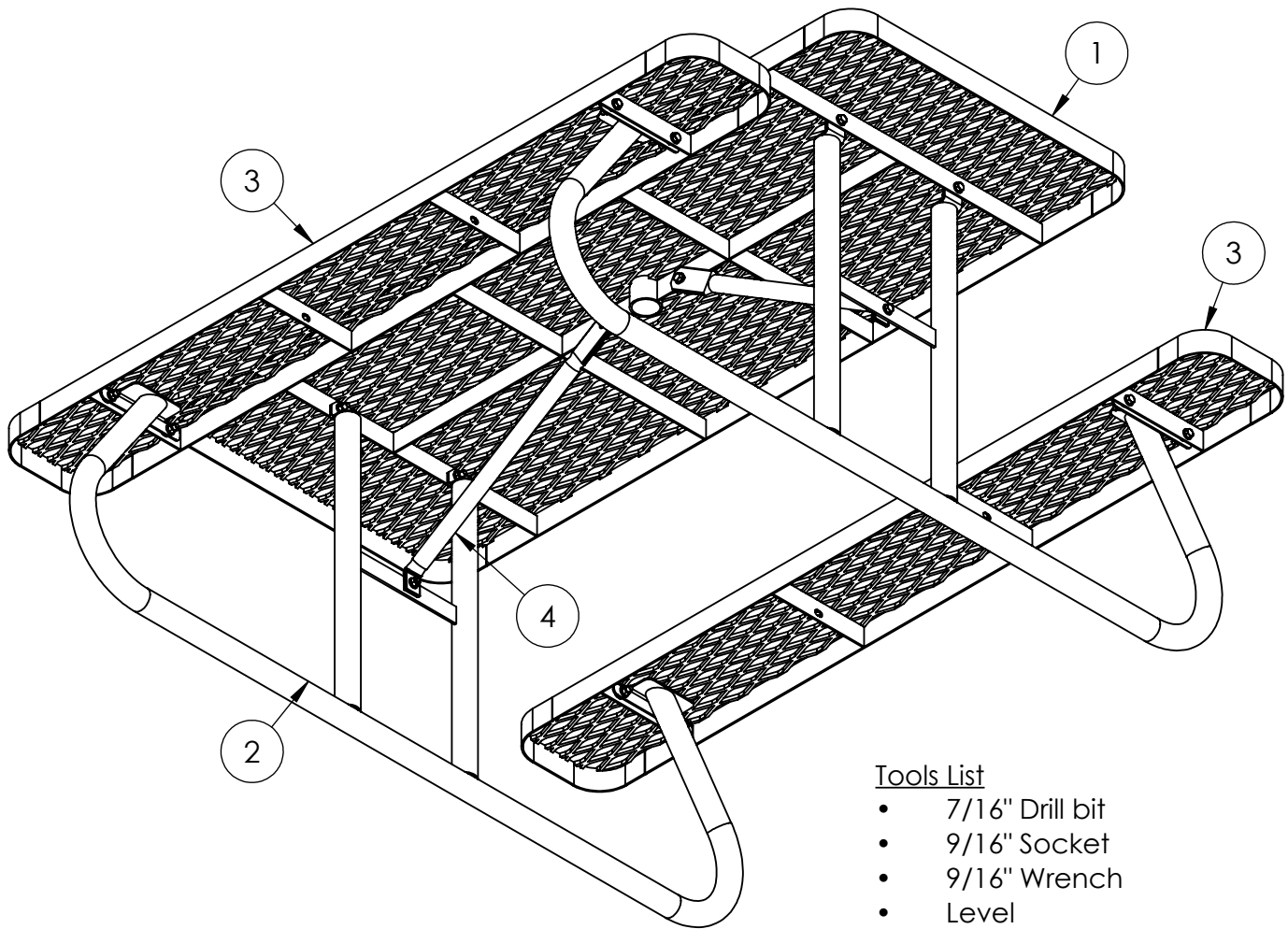
## PREMIER POLYSTEEL

The Best Commercial Outdoor Furniture Available. Period.



SIZE  
A

REV. X.01 | SHEET 1 OF 2



Tools List

- 7/16" Drill bit
- 9/16" Socket
- 9/16" Wrench
- Level
- Impact Gun (Optional)
- Drill

1. Drill out all holes using a 7/16" diameter drill bit.
2. Place the tabletop upside down on top of a pair of sawhorses or 12" blocks (cover the blocks with cardboard).
3. Attach both stands to the inside of table support bar. (See diagram above). Do not tighten completely.
4. Turn the table over.
5. Attach the seats to the stands.
6. Attach the straight end of each brace to the table. (See diagram above)
7. Attach bent end of both braces to the cross bar of each stand. (See diagram above)
8. Level the seats and table then tighten up bolts.

*Periodic check of bolts tightness recommended*

In accordance to California law: WARNING - This product contains a chemical known to the State of California to cause cancer and birth defects or other reproductive harm.



**PREMIER POLYSTEEL**

The Best Commercial Outdoor Furniture Available. Period.

