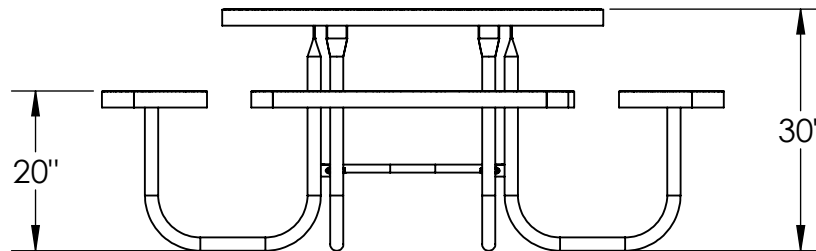
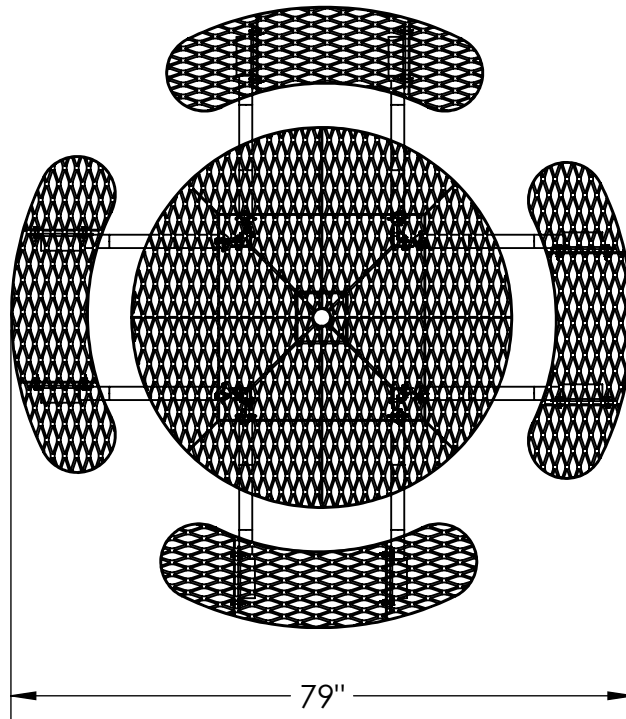




# Champion 48" Round FS Table

955-101



ITEM NO.	PART NUMBER	DESCRIPTION	QTY.
1	642-R11	4' Round Table Top	1
2	622-R11	Champion Round Table Seat	4
3	634-119	Sq./Rnd Table Leg Support Bracket	1
4	634-111	Sq./Rnd Table Free Standing Leg	8
5	516-028	3/8" SS Nylock Nut	32
6	516-058	3/8"x1-1/2" SS Hex Bolt	32
7	516-023	3/8" SS Flat Washer	64



## PREMIER POLYSTEEL

The Best Commercial Outdoor Furniture Available. Period.



SIZE  
A

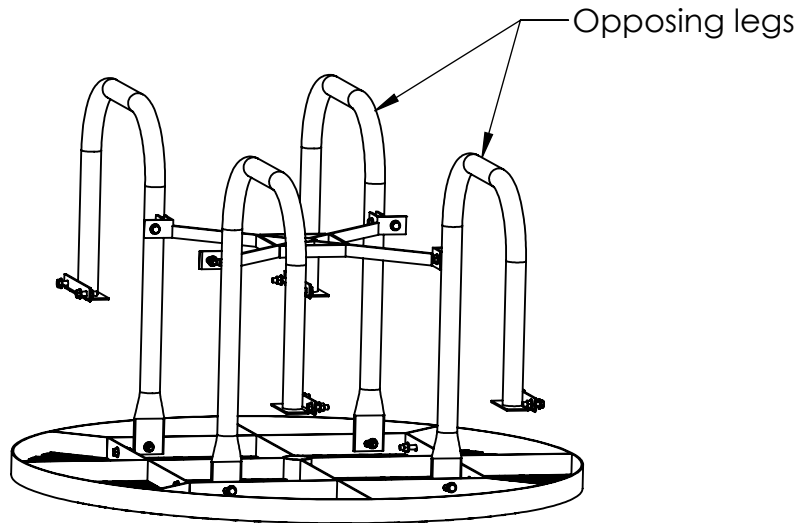


Fig. 1

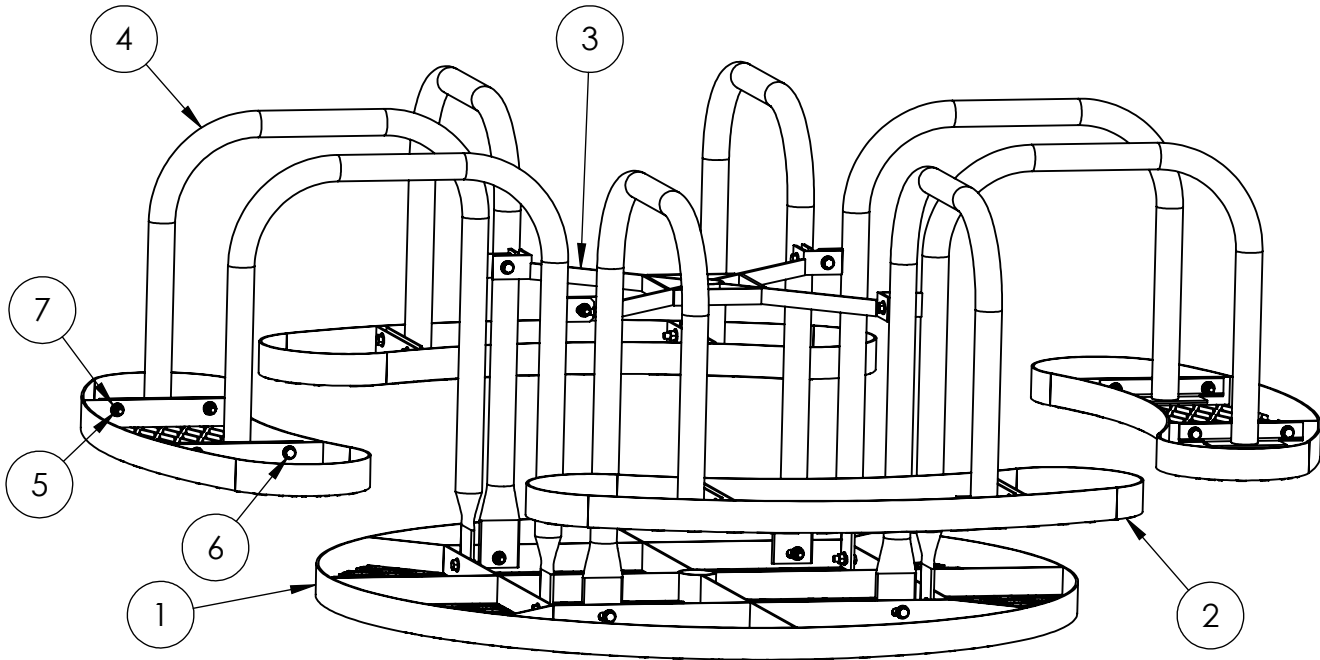


Fig. 2

In Accordance to California law: WARNING This product contains a chemical known to the State of California to cause cancer and birth defects or other reproductive harm.

1. With table top upside down bolt 2 opposing legs on to top. As shown in Fig. 1. Do not tighten the bolts now.
2. Attach "x" shaped leg brace to the 2 legs.
3. Attach the other 6 legs fastening to the "x" shaped leg brace as you go.
4. Attach seats to other end of leg. The vertical portion of the angle iron leg top bolts flush with the seat support bar.
5. Flip the table right side up, level the top and seats, and tighten all of the bolts.



**PREMIER POLYSTEEL**

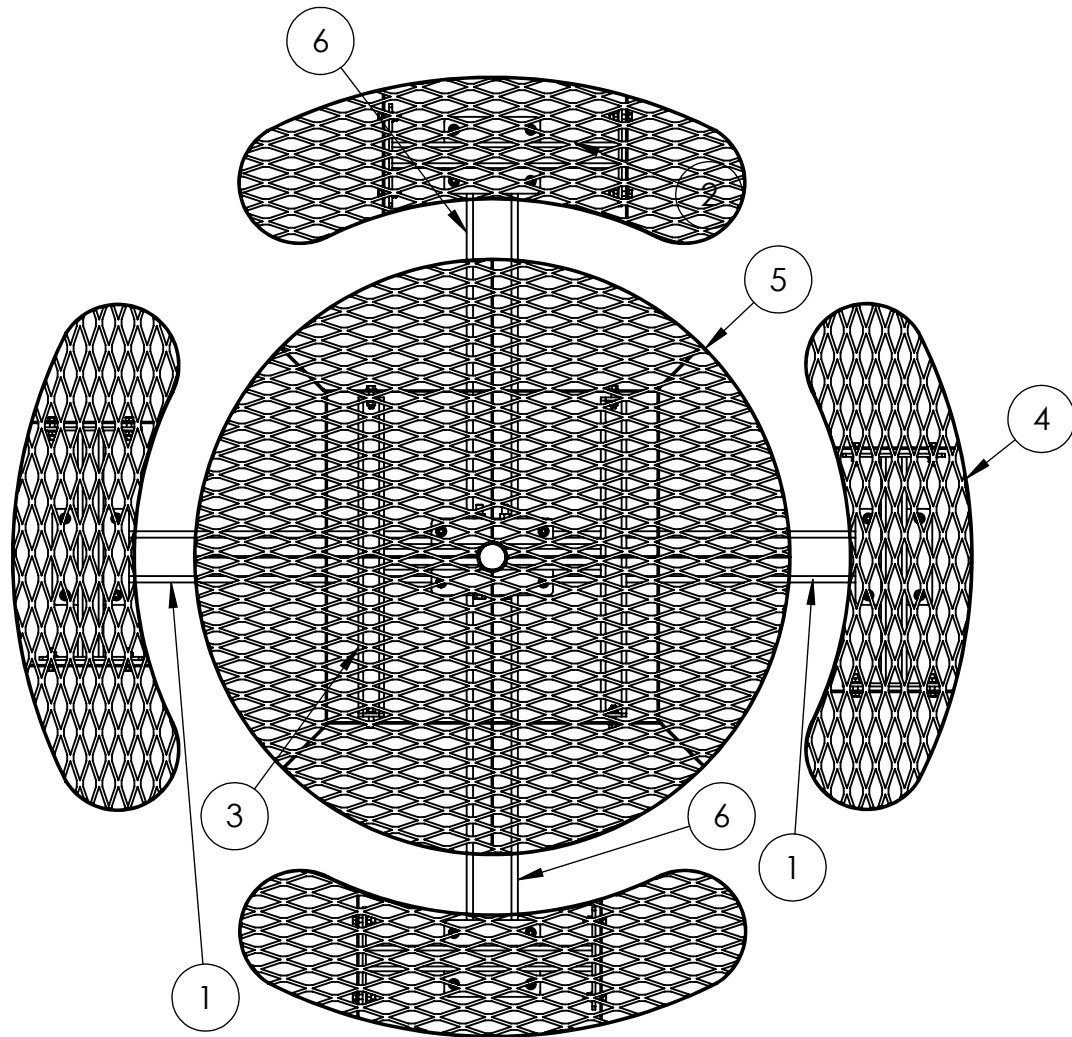
The Best Commercial Outdoor Furniture Available. Period.





# 4' Round Single Pedestal Direct Bury

955-108



ITEM NO.	PART NUMBER	DESCRIPTION	QTY.
1	632-101	4" Pedestal DB	1
2	632-104	Seat support	4
3	632-102	Table Top Support	1
4	622-R11	4' Round Table Seat Exp. (QS)	4
5	642-R11A	4' Champion Expanded Round Table No Hole	1
6	632-103	Seat Arm (1 Ped )	2
7	516-069	1/2" X 7" SS NC Hex Bolt	4
8	516-054	3/8"x2" SS Hex Head Bolt	16
9	516-058	3/8"x1-1/2" SS Hex Bolt	20
10	516-027	1/2" SS Flat Washer	8
11	516-023	3/8" SS Flat Washer	80
12	516-036	1/2" SS NyLock Nut	4
13	516-028	3/8" SS Nylock Nut	40
14	516-059	3/8"x2-1/2" SS Hex Bolt	4



## PREMIER POLYSTEEL

The Best Commercial Outdoor Furniture Available. Period.

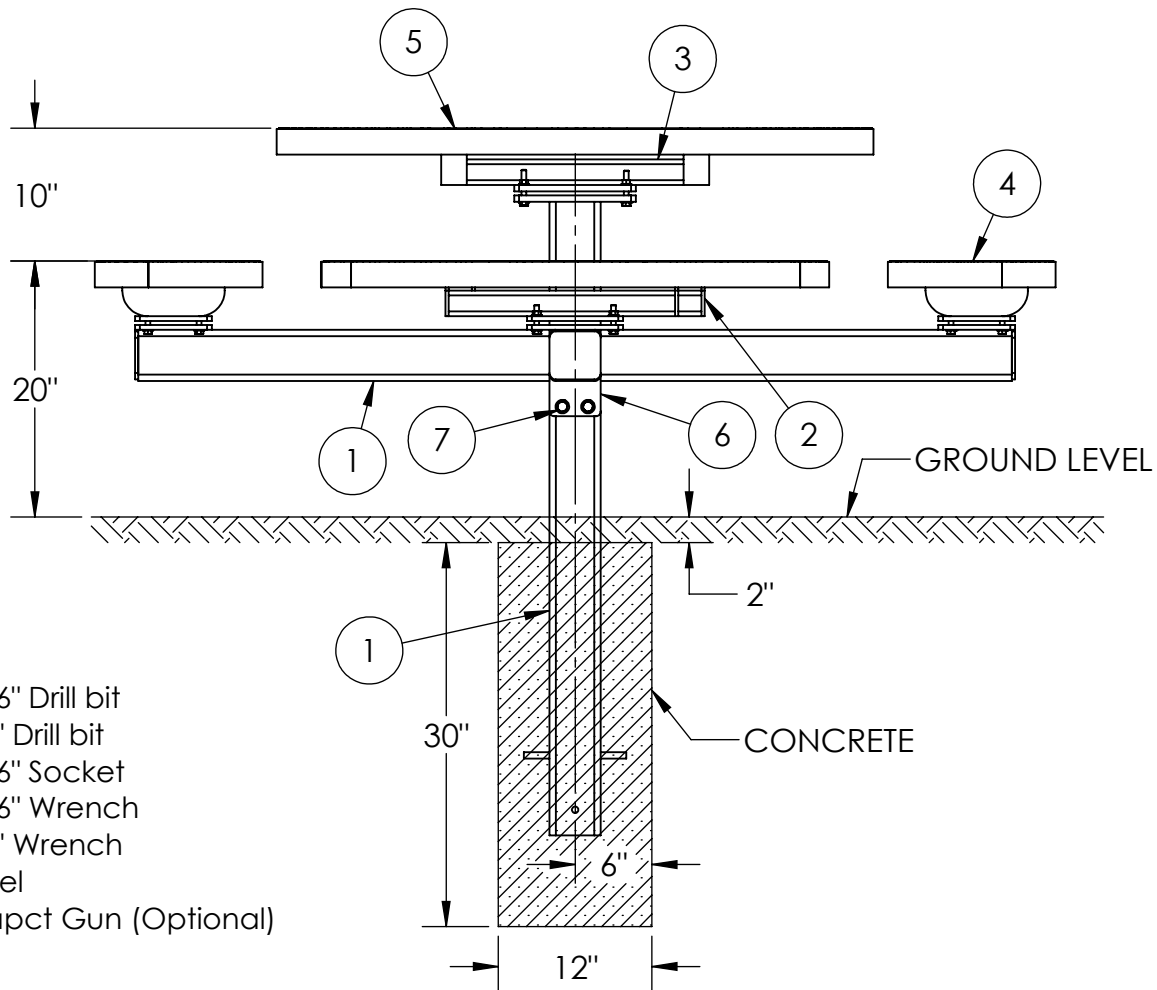


SIZE  
**A**



# 4' Round Single Pedestal Direct Bury

955-108



### Tools List

- 7/16" Drill bit
- 1/2" Drill bit
- 9/16" Socket
- 9/16" Wrench
- 3/4" Wrench
- Level
- Impact Gun (Optional)
- Drill

1. Bore a 12-14" diameter hole into the ground. The hole should be at least 32" deep or below the frost line in your area, which ever is greater.
2. Place 4-6" of pea rock in hole.
3. Place center pedestal post into the hole.
4. Drill out all holes with a 7/16" drill bit. Use a 9/16" drill bit for seat arm end plate holes and center pedestal post holes at their union.
5. Bolt the support arms on to the center pedestal post using 1/2"x 7" stainless steel hex bolts.
6. Bolt seat supports on to the seat arms using 3/8"x2" stainless steel hex bolts.
7. Bolt table top support on to the center pedestal post using 3/8"x2 1/2" stainless steel hex bolts.
8. Bolt the table top on to the table top support using 3/8"x1-1/2" stainless steel hex bolts.
9. Bolt the seats on to the seat supports using 3/8"x1-1/2" stainless steel hex bolts.
10. Level table and adjust to desired height. Recommended height is 20" from the ground to the top of the seats.
11. Fill hole with concrete no higher than ground level.

In accordance to California law: WARNING - This product contains a chemical known to the State of California to cause cancer and birth defects or other reproductive harm.



## PREMIER POLYSTEEL

The Best Commercial Outdoor Furniture Available. Period.



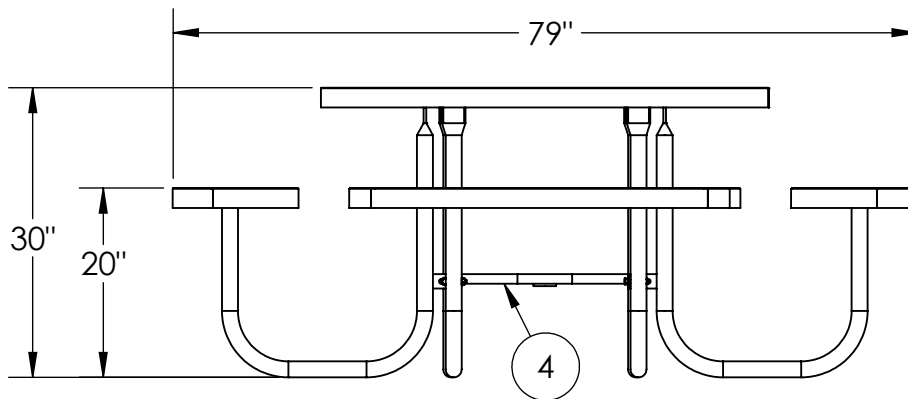
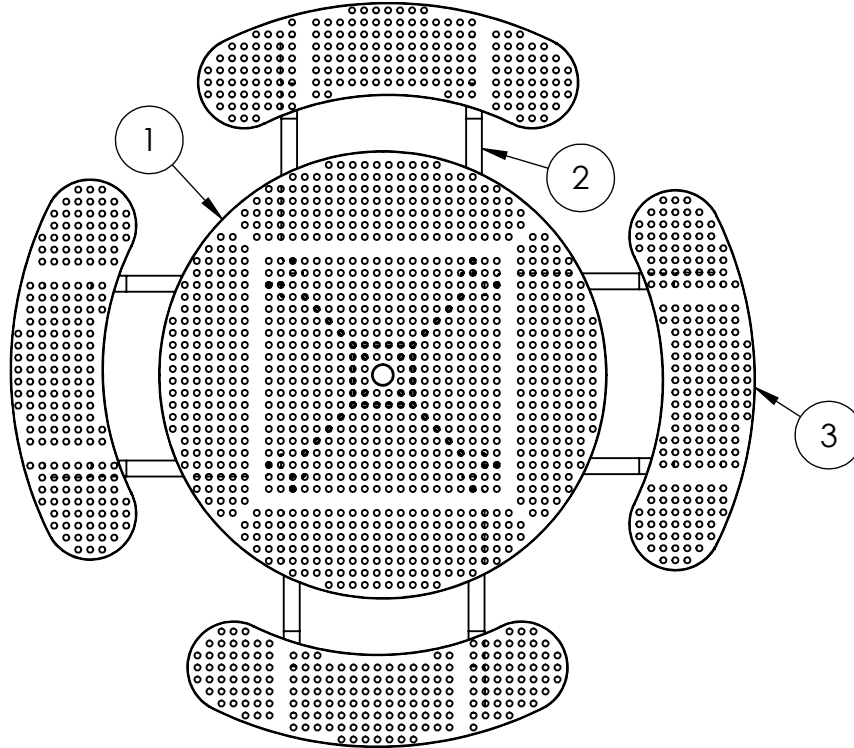
SIZE  
A

REV. X.01 | SHEET 2 OF 2



# 4' Round Free Standing Perforated Table

955-1P1



ITEM NO.	PART NUMBER	DESCRIPTION	QTY.
1	642-RP1	4' Champion Perforated Round Table Top	1
2	634-111	Square Table Leg	8
3	622-RP1	4' Round Table Seat Exp. (QS)	4
4	634-119	Square Table Leg X Brace	1
5	516-058	3/8"x1-1/2" SS Hex Bolt	32
6	516-023	3/8" SS Flat Washer	64
7	516-028	3/8" SS Nylock Nut	32

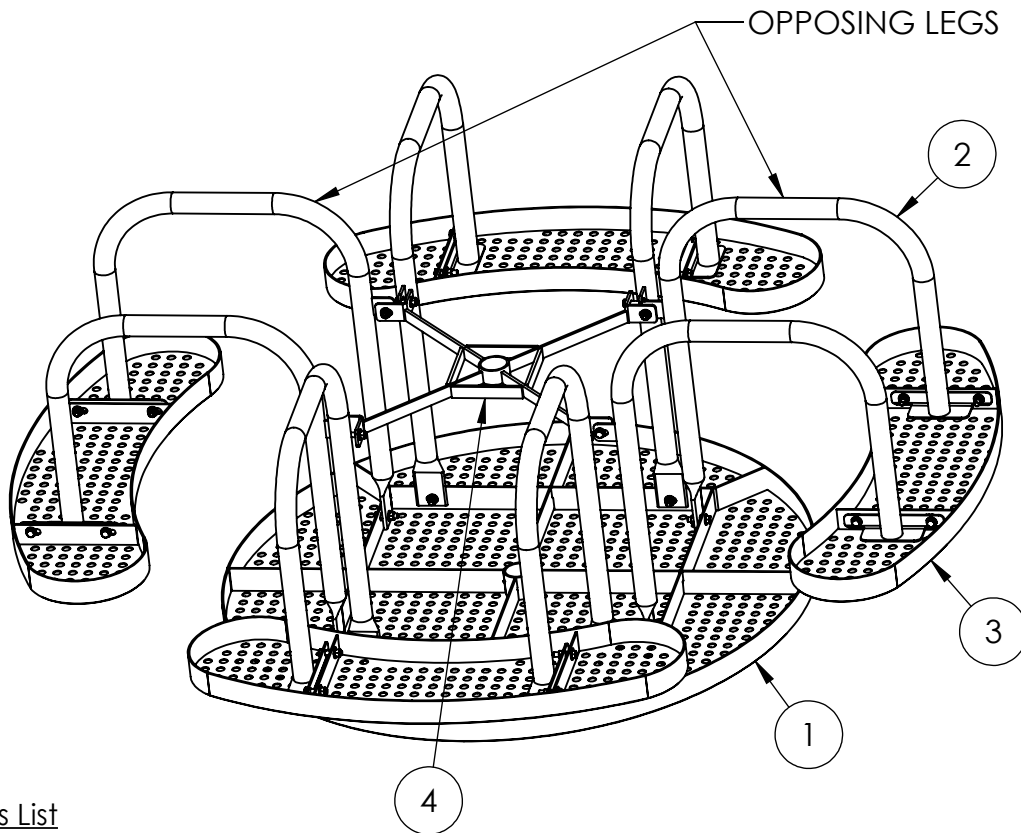


## PREMIER POLYSTEEL

The Best Commercial Outdoor Furniture Available. Period.



SIZE  
**A**



### Tools List

- 7/16" Drill bit
- 9/16" Socket
- 9/16" Wrench
- Level
- Impact Gun (Optional)
- Drill

1. With table top upside down bolt 2 opposing legs on to top. As shown in above figure. Do not tighten the bolts now.
2. Attach "x" shaped leg brace to the 2 legs.
3. Attach the other 6 legs fastening to the "x" shaped leg brace as you go.
4. Attach seats to other end of leg. The vertical portion of the angle iron leg top bolts flush with the seat support bar.
5. Flip the table right side up, level the top and seats, and tighten all of the bolts.

*Periodic check of bolts tightness recommended*

In accordance to California law: WARNING - This product contains a chemical known to the State of California to cause cancer and birth defects or other reproductive harm.



# PREMIER POLYSTEEL

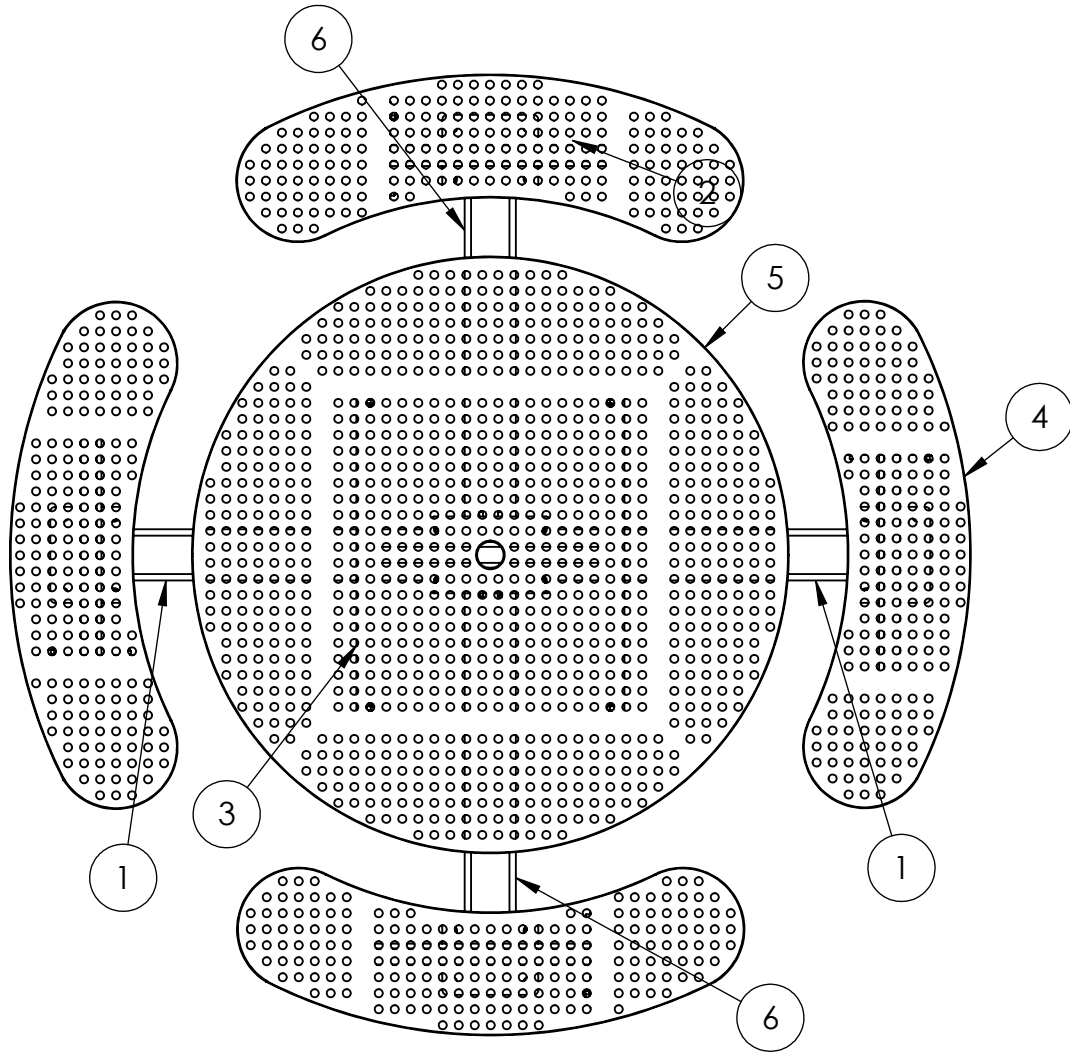
The Best Commercial Outdoor Furniture Available. Period.





# 4' Round Single Pedestal Direct Bury

955-1P8



ITEM NO.	PART NUMBER	DESCRIPTION	QTY.
1	632-101	4" Pedestal DB	1
2	632-104	Seat support	4
3	632-102	Table Top Support	1
4	622-RP1	4' Round Table Seat Exp. (QS)	4
5	642-RP1	4' Champion Perforated Round Table Top	1
6	632-103	Seat Arm (1 Ped )	2
7	516-069	1/2" X 7" SS NC Hex Bolt	4
8	516-054	3/8"x2" SS Hex Head Bolt	16
9	516-059	3/8"x2-1/2" SS Hex Bolt	4
10	516-058	3/8"x1-1/2" SS Hex Bolt	20
11	516-027	1/2" SS Flat Washer	8
12	516-023	3/8" SS Flat Washer	80
13	517-019	1/2" Zinc NyLock Nut	4
14	517-028	3/8" Zinc Nylock Nut	40



## PREMIER POLYSTEEL

The Best Commercial Outdoor Furniture Available. Period.

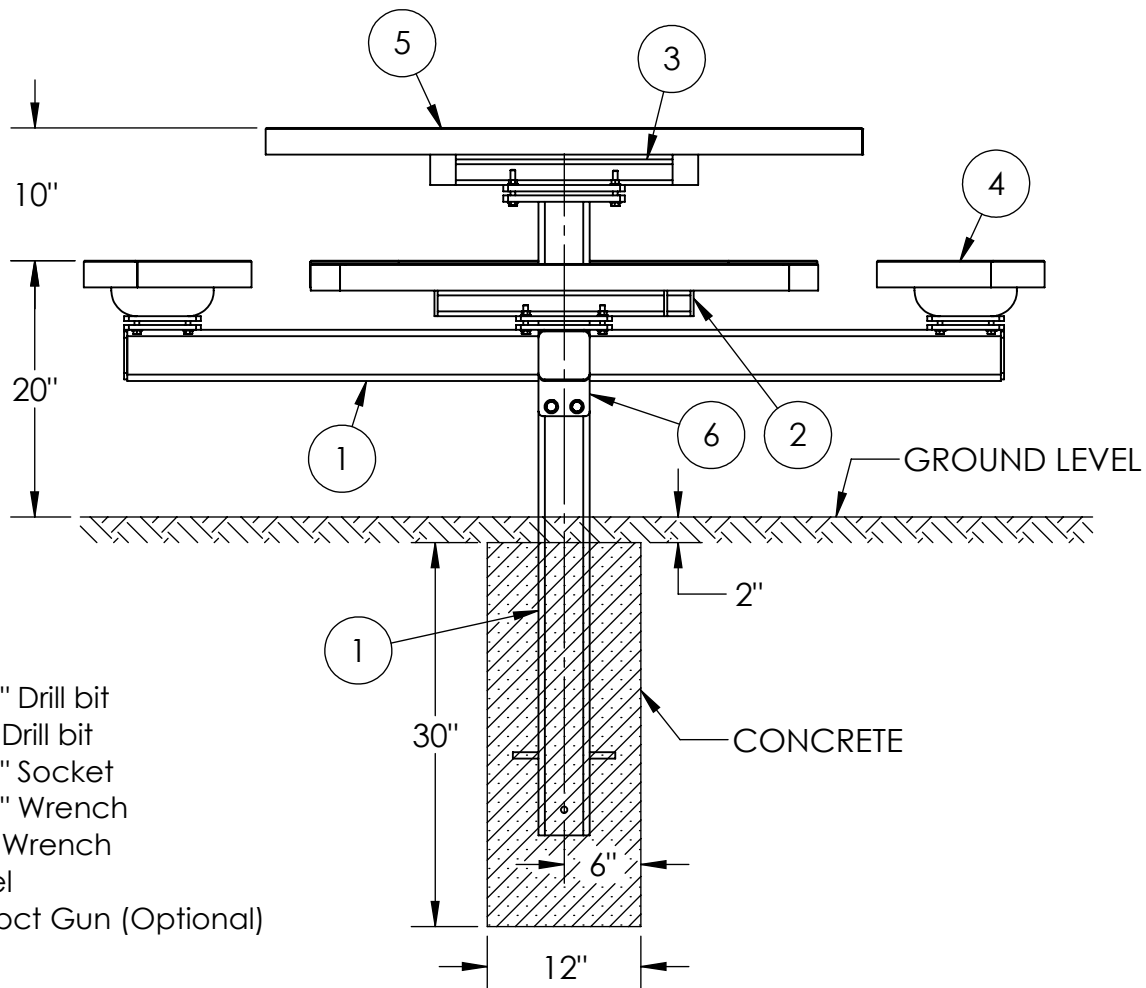


SIZE  
**A**



# 4' Round Single Pedestal Direct Bury

955-1P8



## Tools List

- 7/16" Drill bit
- 1/2" Drill bit
- 9/16" Socket
- 9/16" Wrench
- 3/4" Wrench
- Level
- Impact Gun (Optional)
- Drill

1. Bore a 12-14" diameter hole into the ground. The hole should be at least 32" deep or below the frost line in your area, which ever is greater.
2. Place 4-6" of pea rock in hole.
3. Place center pedestal post into the hole.
4. Drill out all holes with a 7/16" drill bit. Use a 9/16" drill bit for seat arm end plate holes and center pedestal post holes at their union.
5. Bolt the support arms on to the center pedestal post using 1/2"x7" stainless steel hex bolts.
6. Bolt seat supports on to the seat arms using 3/8"x2" stainless steel hex bolts.
7. Bolt table top support on to the center pedestal post using 3/8"x2 1/2" stainless steel hex bolts.
8. Bolt the table top on to the table top support using 3/8"x1-1/2" stainless steel hex bolts.
9. Bolt the seats on to the seat supports using 3/8"x1-1/2" stainless steel hex bolts.
10. Level table and adjust to desired height. Recommended height is 20" from the ground to the top of the seats.
11. Fill hole with concrete no higher than ground level.

In accordance to California law: WARNING - This product contains a chemical known to the State of California to cause cancer and birth defects or other reproductive harm.



## PREMIER POLYSTEEL

The Best Commercial Outdoor Furniture Available. Period.



SIZE  
A

REV. X.01 SHEET 2 OF 2