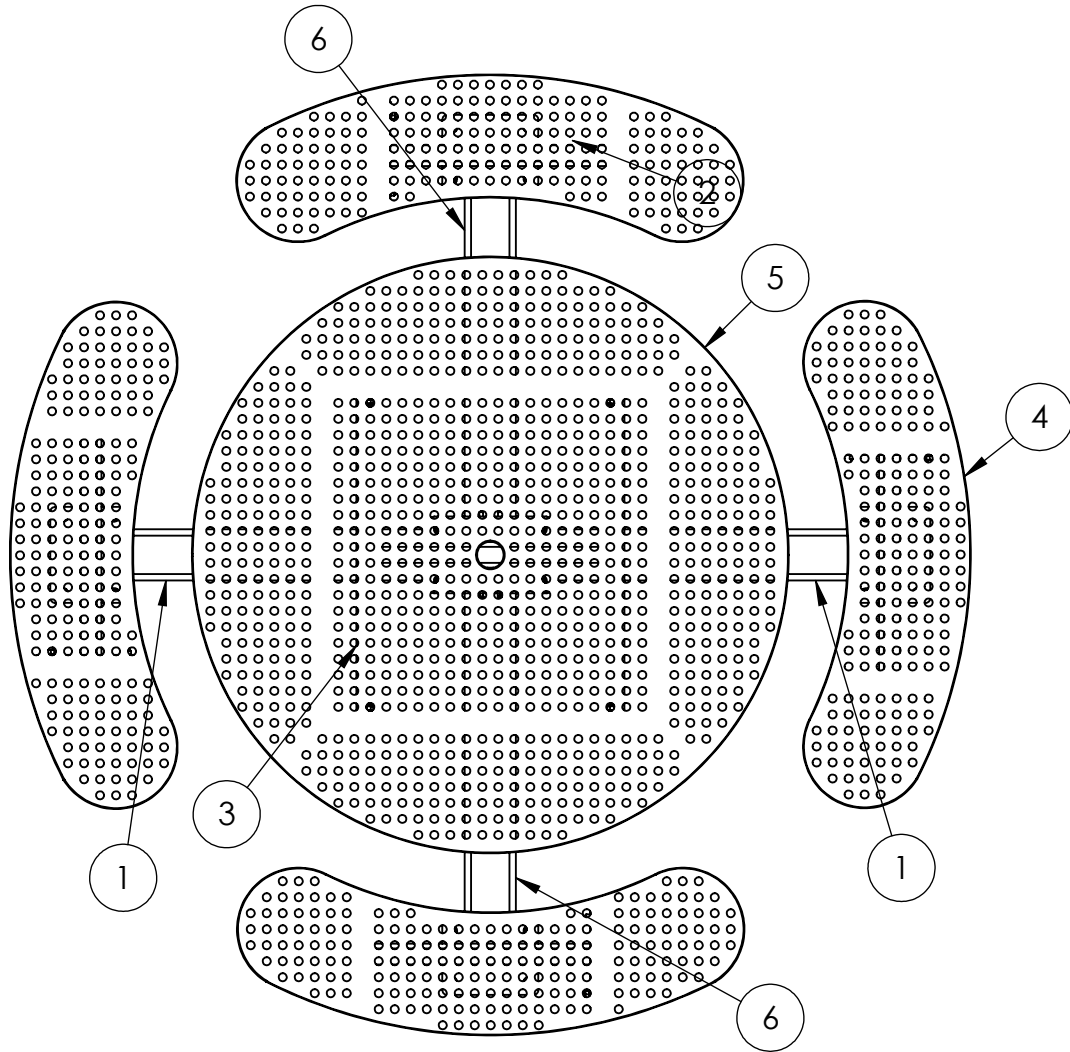




4' Round Single Pedestal Direct Bury

955-1P8



ITEM NO.	PART NUMBER	DESCRIPTION	QTY.
1	632-101	4" Pedestal DB	1
2	632-104	Seat support	4
3	632-102	Table Top Support	1
4	622-RP1	4' Round Table Seat Exp. (QS)	4
5	642-RP1	4' Champion Perforated Round Table Top	1
6	632-103	Seat Arm (1 Ped)	2
7	516-069	1/2" X 7" SS NC Hex Bolt	4
8	516-054	3/8"x2" SS Hex Head Bolt	16
9	516-059	3/8"x2-1/2" SS Hex Bolt	4
10	516-058	3/8"x1-1/2" SS Hex Bolt	20
11	516-027	1/2" SS Flat Washer	8
12	516-023	3/8" SS Flat Washer	80
13	517-019	1/2" Zinc NyLock Nut	4
14	517-028	3/8" Zinc Nylock Nut	40



PREMIER POLYSTEEL

The Best Commercial Outdoor Furniture Available. Period.

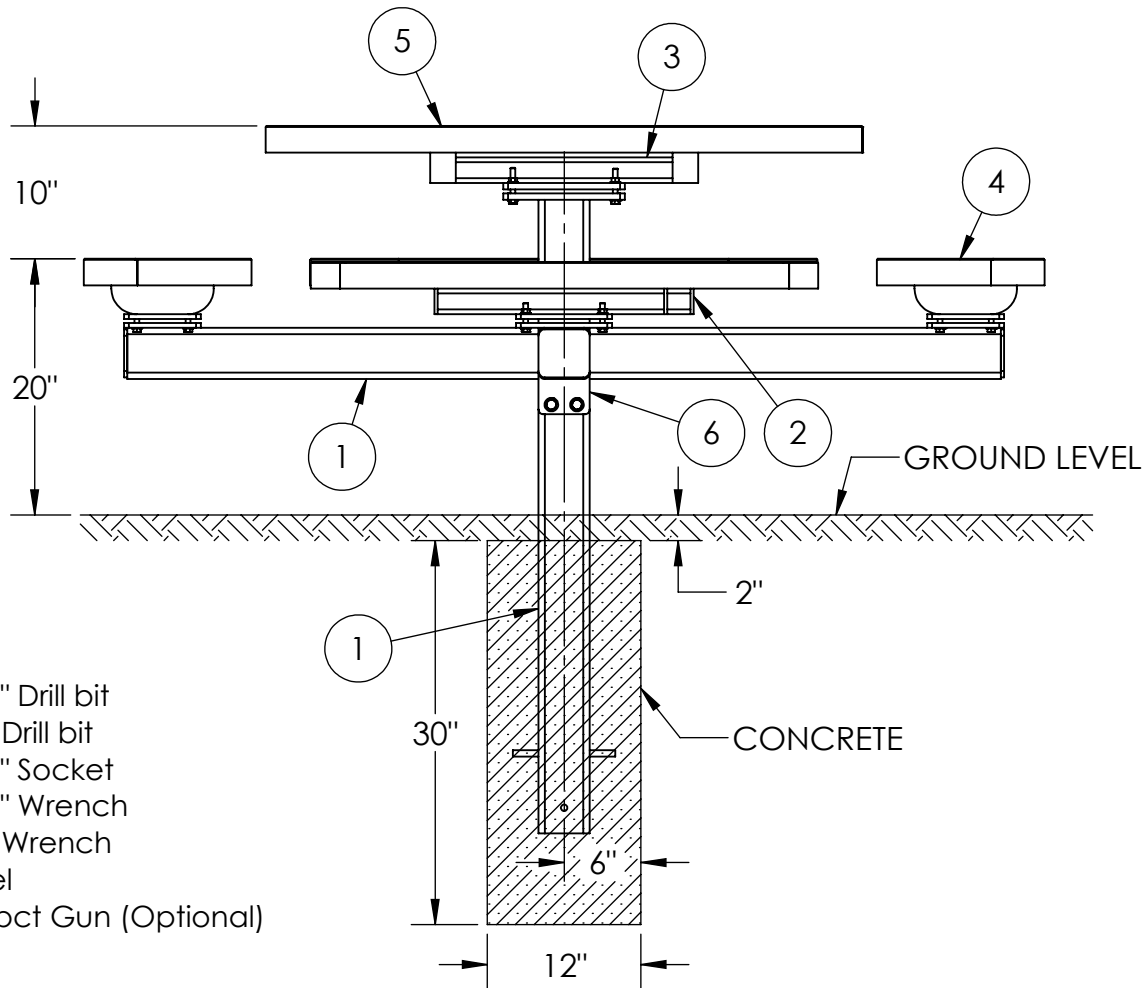


SIZE
A



4' Round Single Pedestal Direct Bury

955-1P8



Tools List

- 7/16" Drill bit
- 1/2" Drill bit
- 9/16" Socket
- 9/16" Wrench
- 3/4" Wrench
- Level
- Impact Gun (Optional)
- Drill

1. Bore a 12-14" diameter hole into the ground. The hole should be at least 32" deep or below the frost line in your area, which ever is greater.
2. Place 4-6" of pea rock in hole.
3. Place center pedestal post into the hole.
4. Drill out all holes with a 7/16" drill bit. Use a 9/16" drill bit for seat arm end plate holes and center pedestal post holes at their union.
5. Bolt the support arms on to the center pedestal post using 1/2"x7" stainless steel hex bolts.
6. Bolt seat supports on to the seat arms using 3/8"x2" stainless steel hex bolts.
7. Bolt table top support on to the center pedestal post using 3/8"x2 1/2" stainless steel hex bolts.
8. Bolt the table top on to the table top support using 3/8"x1-1/2" stainless steel hex bolts.
9. Bolt the seats on to the seat supports using 3/8"x1-1/2" stainless steel hex bolts.
10. Level table and adjust to desired height. Recommended height is 20" from the ground to the top of the seats.
11. Fill hole with concrete no higher than ground level.

In accordance to California law: WARNING - This product contains a chemical known to the State of California to cause cancer and birth defects or other reproductive harm.



PREMIER POLYSTEEL

The Best Commercial Outdoor Furniture Available. Period.



SIZE
A

REV. X.01 SHEET 2 OF 2