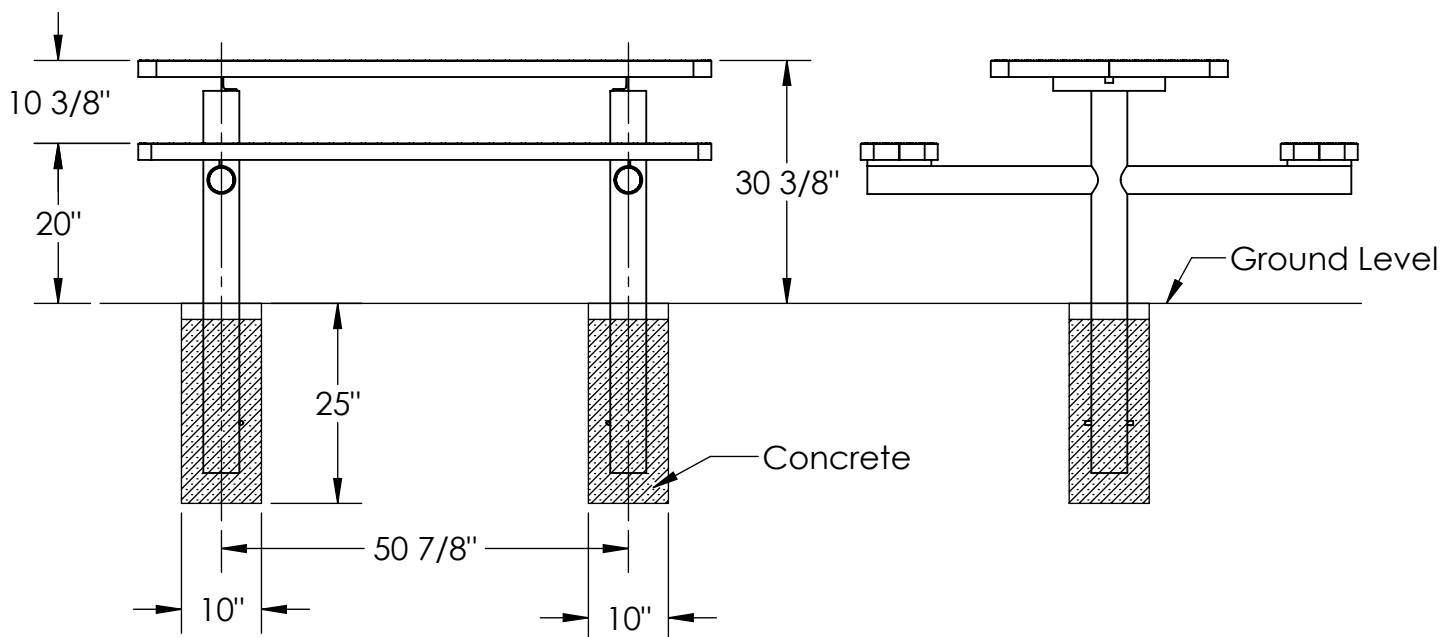
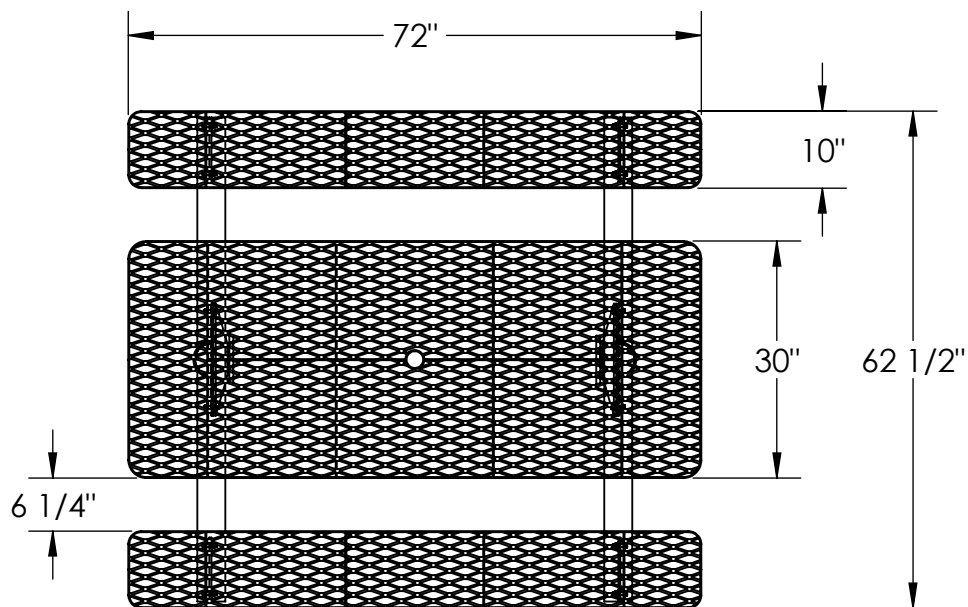




6' Champion Double Pedestal Direct Bury Table

924-302



PREMIER POLYSTEEL

The Best Commercial Outdoor Furniture Available. Period.



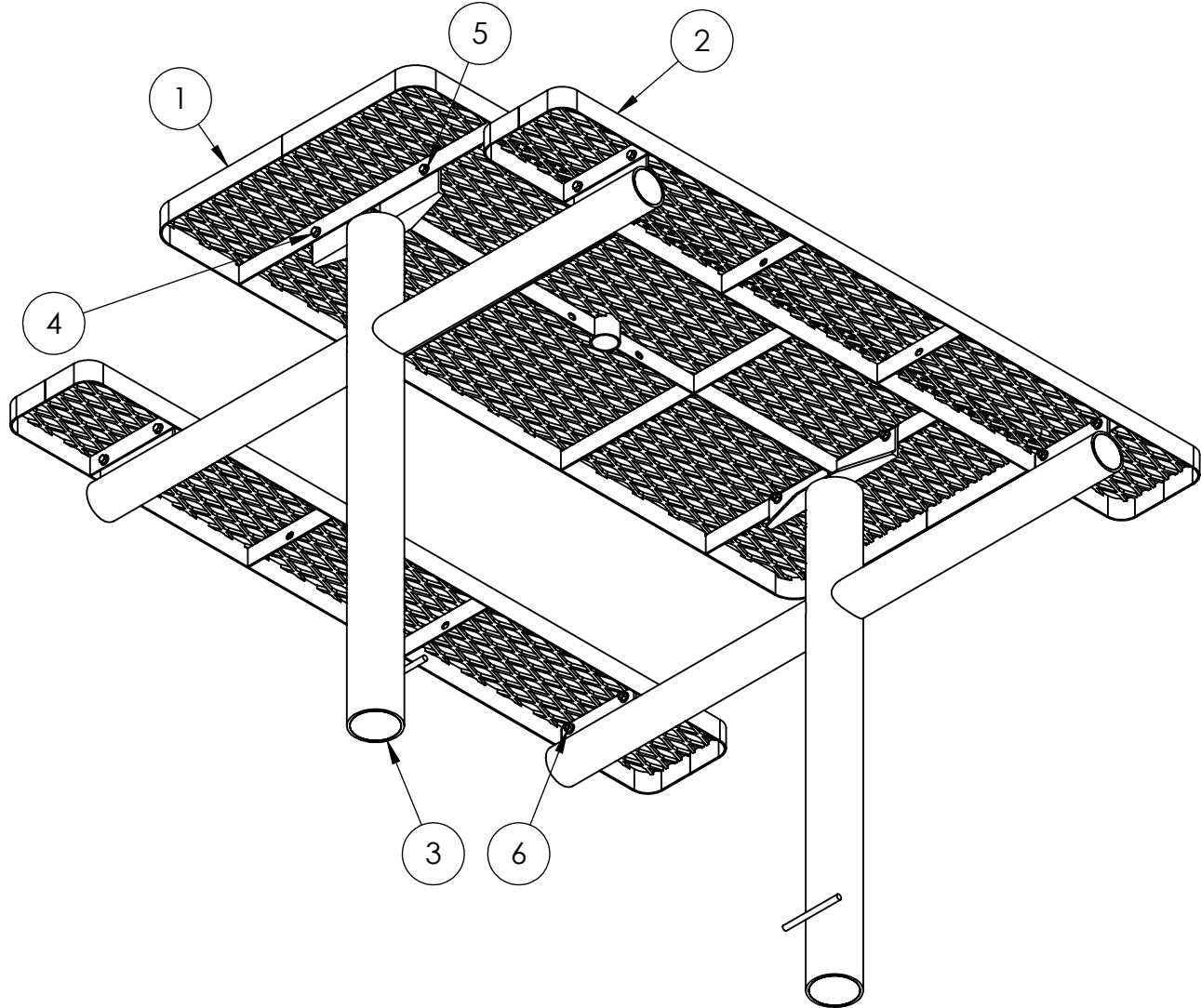
SIZE
A

REV. X.01 | SHEET 1 OF 2



6' Champion Double Pedestal Direct Bury Table

924-302



In Accordance to California law: WARNING This product contains a chemical known to the State of California to cause cancer and birth defects or other reproductive harm.

1. Drill 2 holes in the ground per the drawing on page 1.
2. Place the pedestals in the holes.
3. Drill plastic out of the mounting holes on the pedestals, top and seats using a 7/16" dia. drill bit.
4. Fasten the table top and seats to the pedestals, support and level table. Check height.
5. When the table is level and secured, fill the holes with concrete to about 2" below ground level.

ITEM NO.	PART NUMBER	DESCRIPTION	QTY.
1	642-013	Champion Table Top 6'	1
2	622-013	Champion Seat/Back 6'	2
3	632-200	2 Pedestal Direct Bury Stand	2
4	516-058	3/8"x1-1/2" SS Hex Bolt	12
5	516-023	3/8" SS Flat Washer	24
6	516-028	3/8" SS Nylock Nut	12



PREMIER POLYSTEEL

The Best Commercial Outdoor Furniture Available. Period.



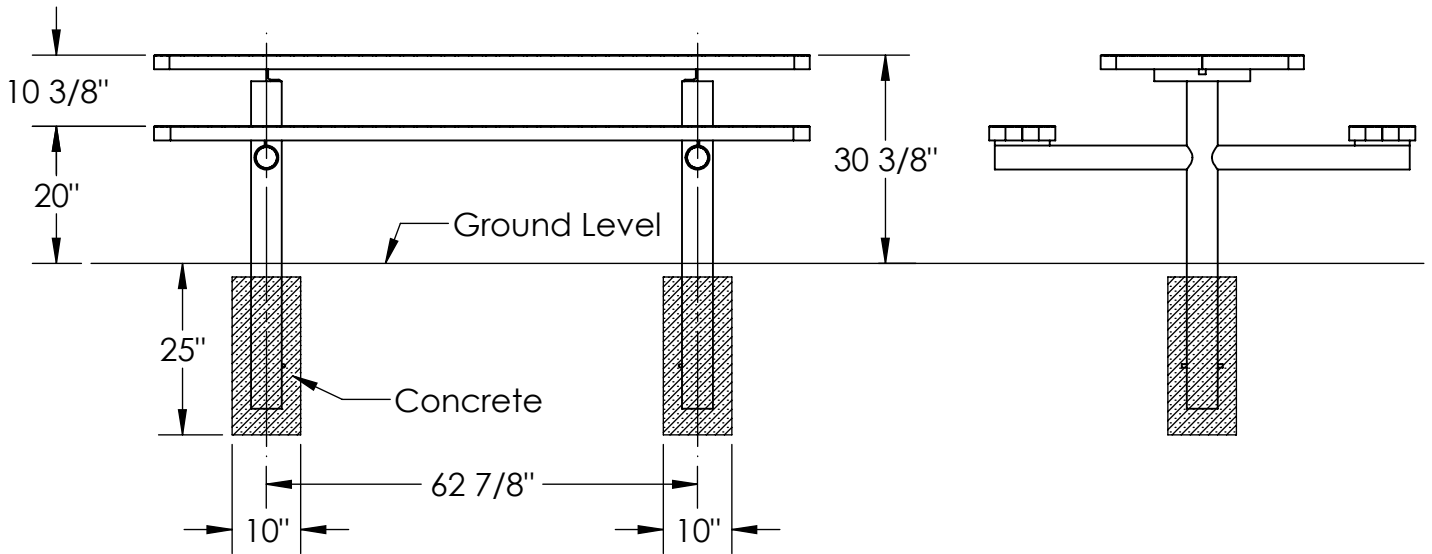
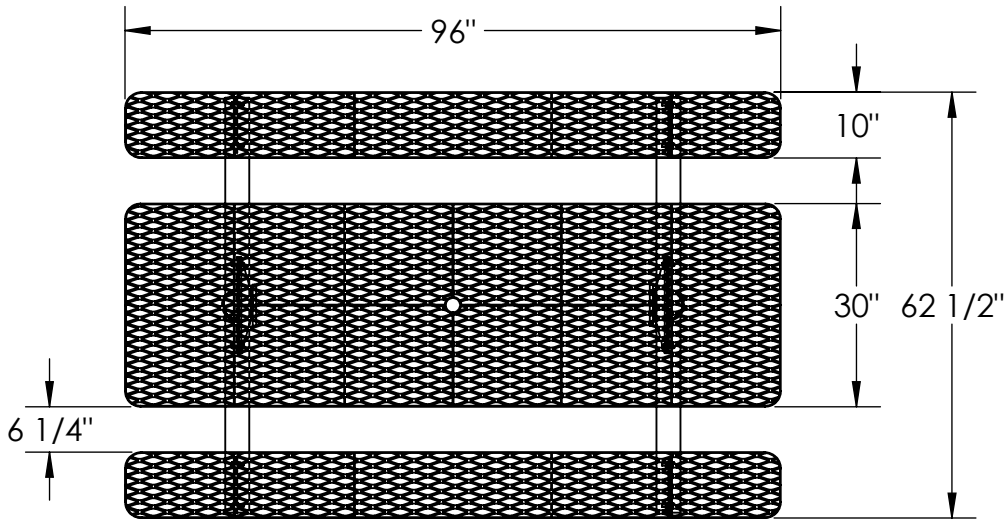
SIZE
A

REV. X.01 | SHEET 2 OF 2



8' Champion Double Pedestal Direct Bury Table

924-502



PREMIER POLYSTEEL

The Best Commercial Outdoor Furniture Available. Period.



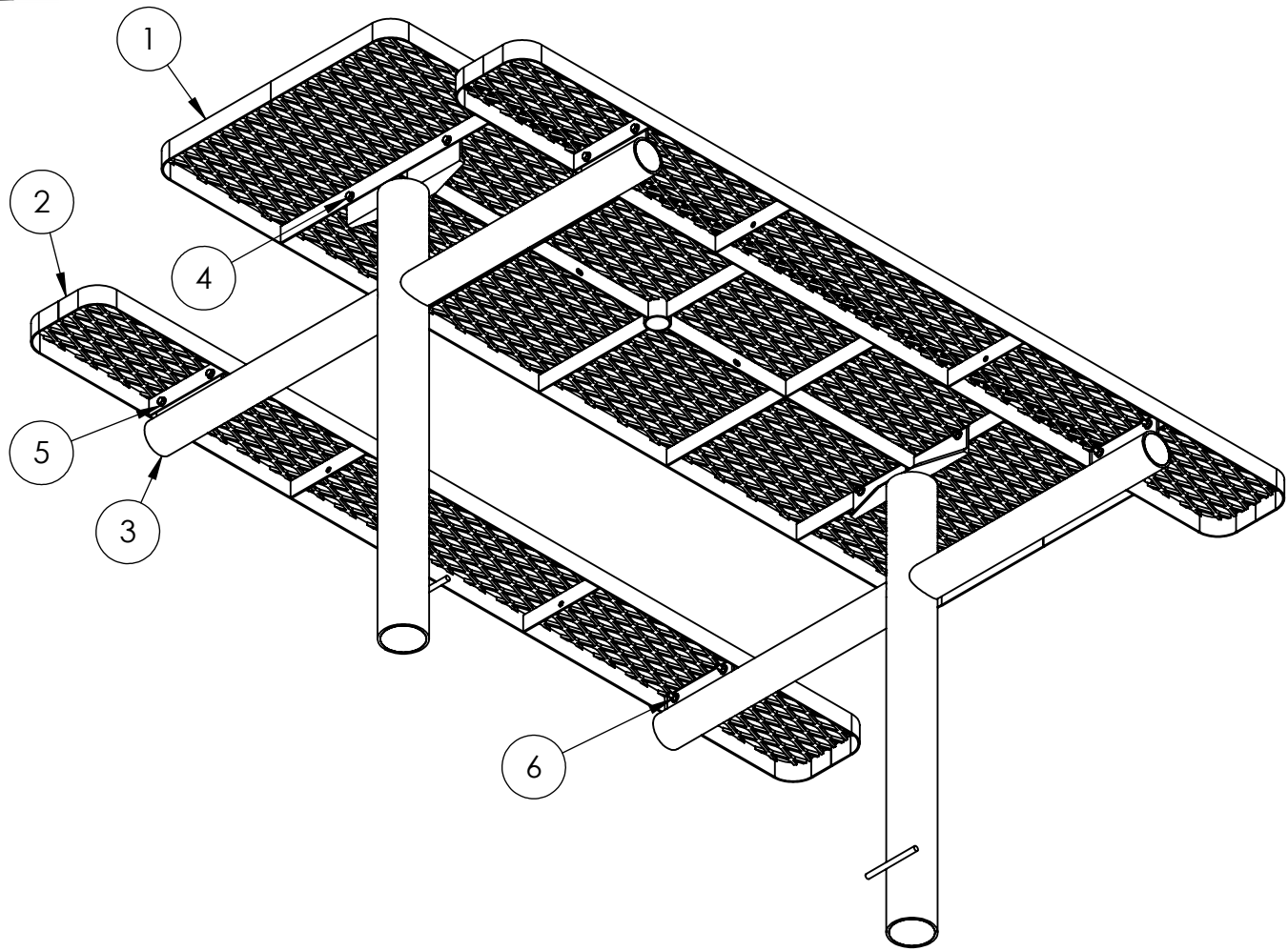
SIZE
A

REV. X.01 | SHEET 1 OF 2



8' Champion Double Pedestal Direct Bury Table

924-502



In Accordance to California law: WARNING This product contains a chemical known to the State of California to cause cancer and birth defects or other reproductive harm.

1. Drill 2 holes in the ground per the drawing on sheet 1.
2. Place the pedestals in the holes.
3. Drill plastic out of the mounting holes on the pedestals, top and seats using a 7/16" dia. drill bit.
4. Fasten the table top and seats to the pedestals, support and level table. Check height.
5. When the table is level and secured, fill the holes with concrete to about 2" below ground level.

ITEM NO.	PART NUMBER	DESCRIPTION	QTY.
1	642-015	8' Champion Table Top	1
2	622-015	8' Champion Seat/Back	2
3	632-200	2 Pedestal Direct Bury Stand	2
4	516-058	3/8"x1-1/2" SS Hex Bolt	12
5	516-023	3/8" SS Flat Washer	24
6	516-028	3/8" SS Nylock Nut	12



PREMIER POLYSTEEL

The Best Commercial Outdoor Furniture Available. Period.



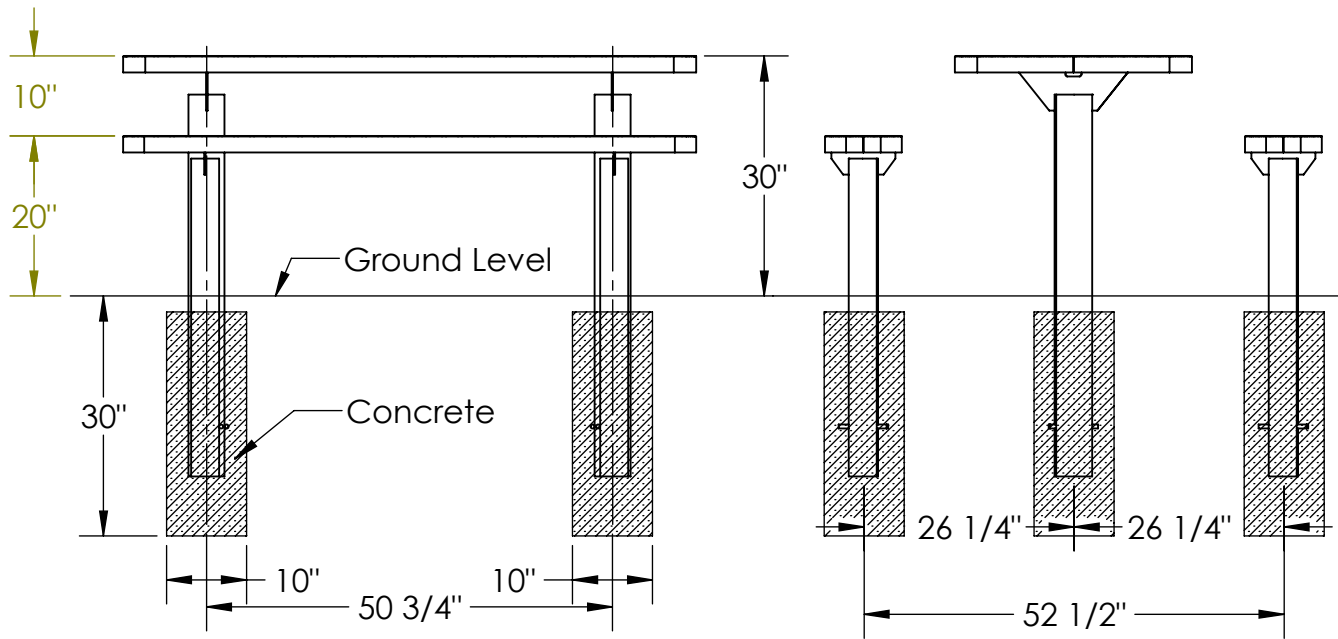
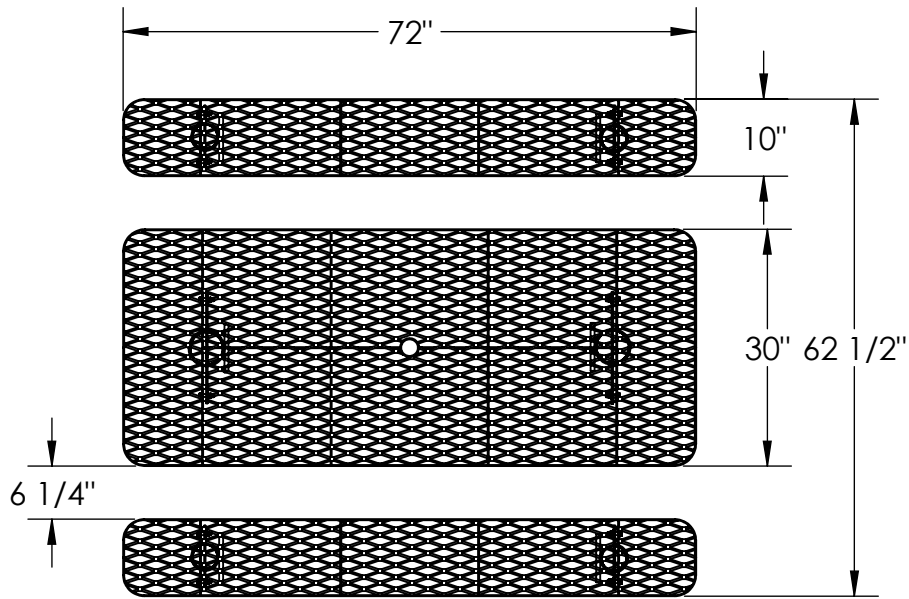
SIZE
A

REV. X.01 | SHEET 2 OF 2



6' Champion Multi-Pedestal Direct Bury

924-306



PREMIER POLYSTEEL

The Best Commercial Outdoor Furniture Available. Period.



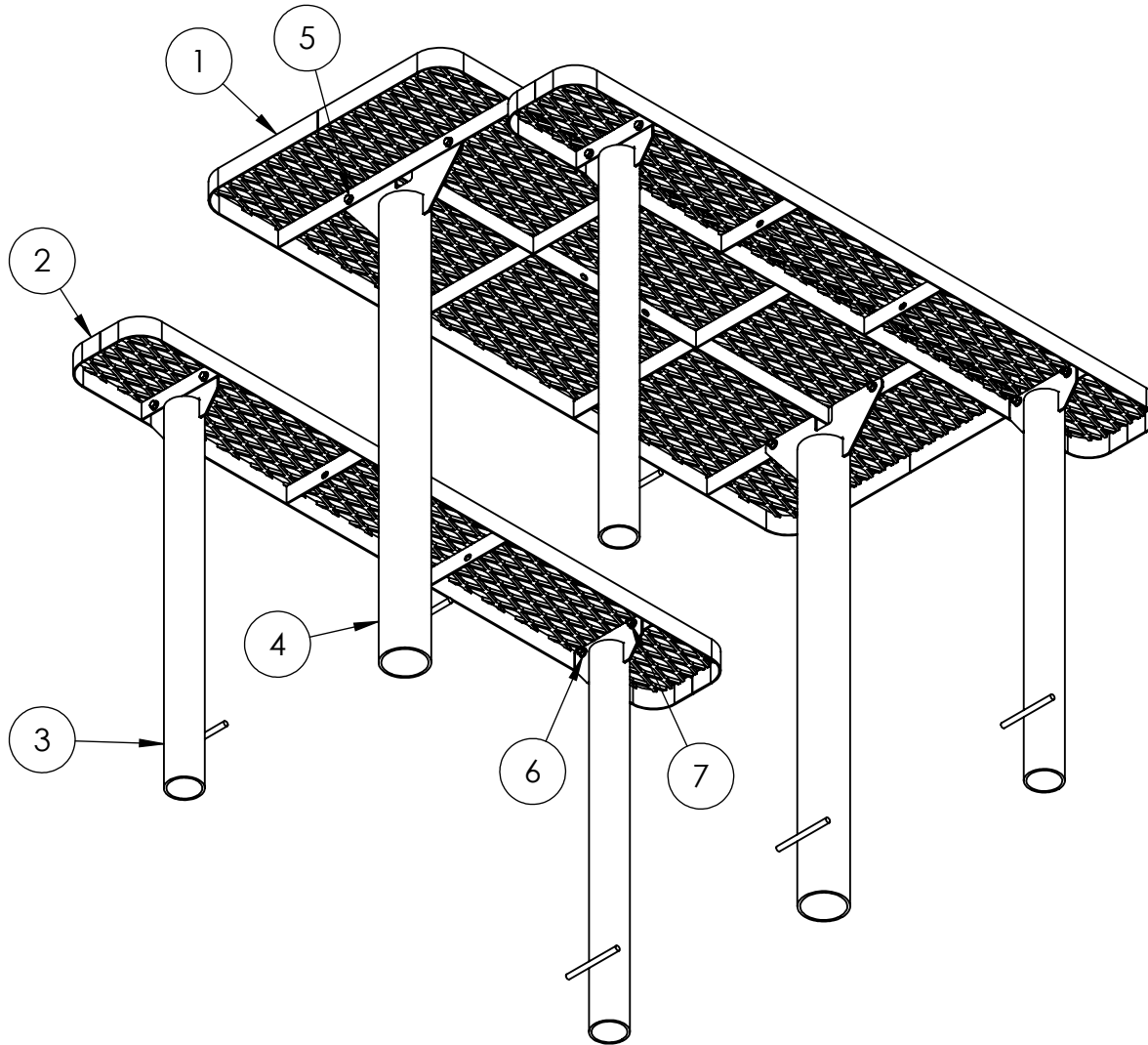
SIZE
A

REV. X.01 | SHEET 1 OF 2



6' Champion Multi-Pedestal Direct Bury

924-306



1. Drill 6 holes in the ground per the drawing on page 1.
2. Place the pedestals in the holes.
3. Drill plastic out of the mounting holes on the pedestals, top and seats using a 7/16" dia. drill bit.
4. Fasten the table top to the pedestals, support and level table top. Check height.
5. Fasten the seats to the pedestals, support and level seats. Check height.
6. When the seats and top are level and secured fill the holes with concrete to about 2" below ground level.

In Accordance to California law: WARNING This product contains a chemical known to the State of California to cause cancer and birth defects or other reproductive harm.

ITEM NO.	PART NUMBER	DESCRIPTION	QTY.
1	642-013	Champion Table Top 6'	1
2	622-013	Champion Seat/Back 6'	2
3	630-081	Seat Pedestal	4
4	630-080	Table Pedestal	2
5	516-058	3/8"x1-1/2" SS Hex Bolt	12
6	516-023	3/8" SS Flat Washer	24
7	516-028	3/8" SS Nylock Nut	12



PREMIER POLYSTEEL

The Best Commercial Outdoor Furniture Available. Period.



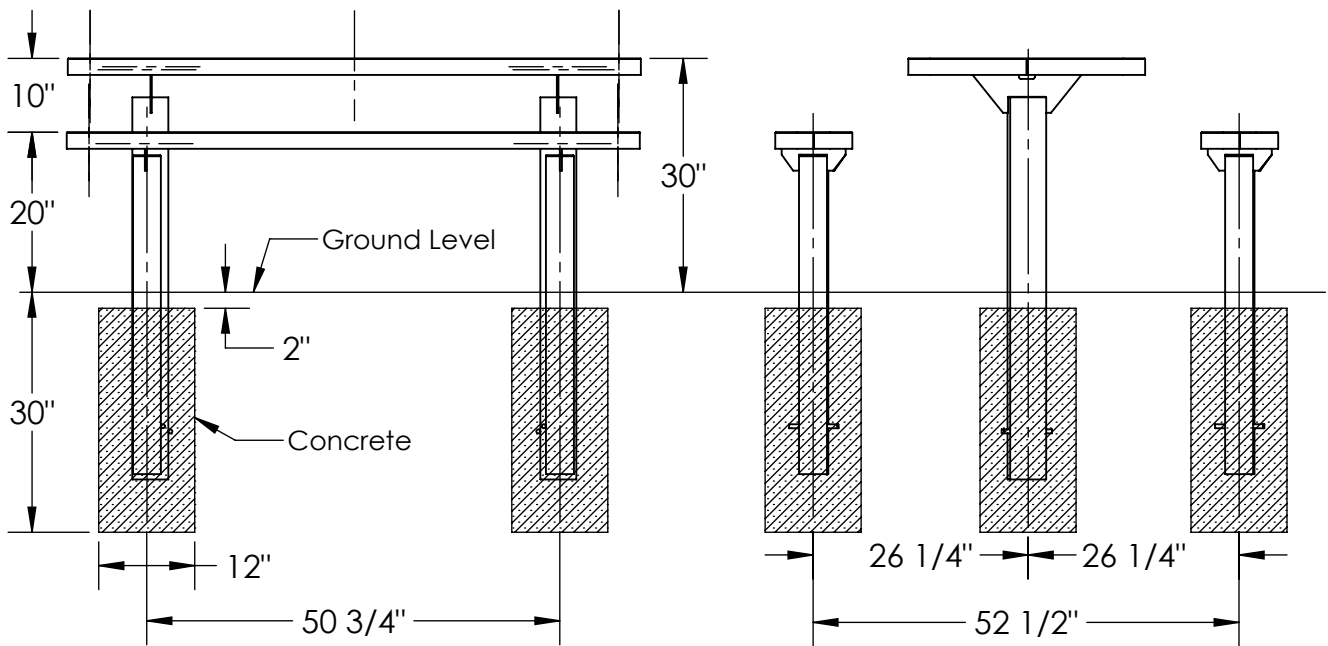
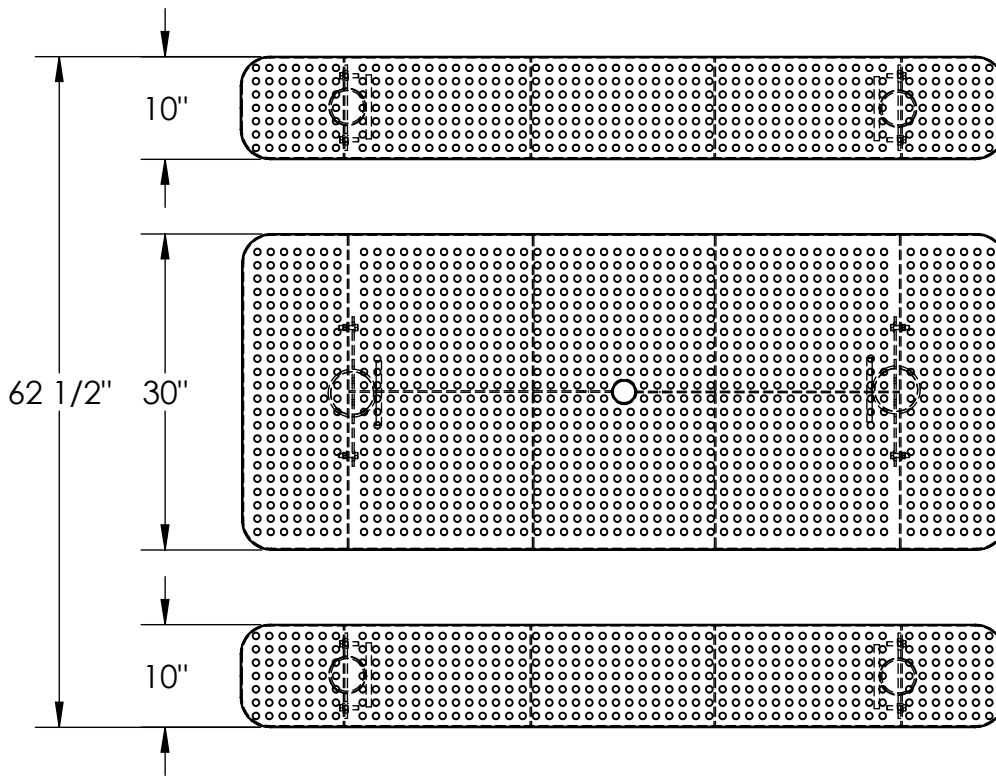
SIZE
A

REV. X.01 SHEET 2 OF 2



6' CHAMPION TABLE TOP

924-3P6



The holes should be 30" deep or below the frost line in your area, which ever is greater.



PREMIER POLYSTEEL

The Best Commercial Outdoor Furniture Available. Period.

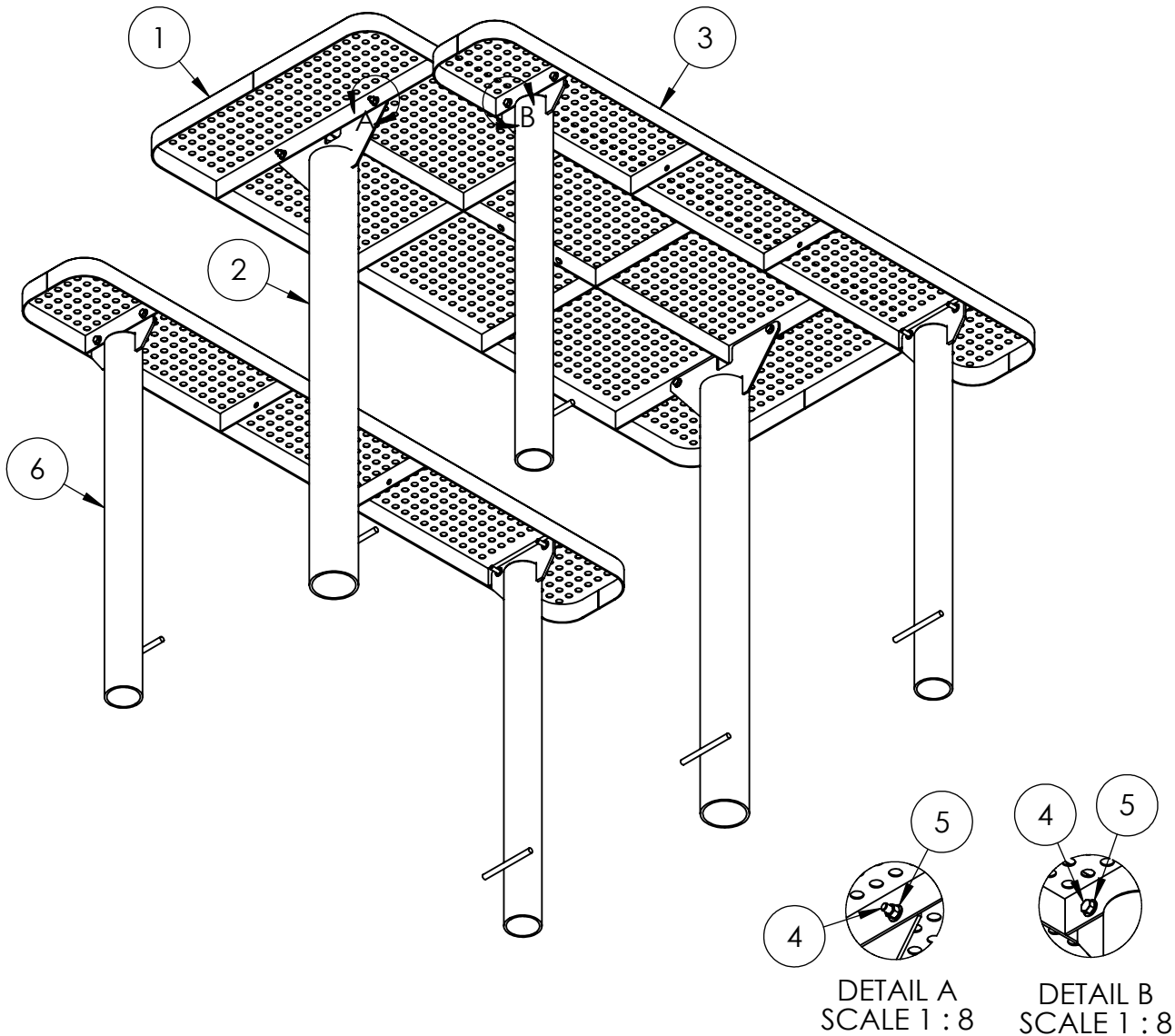


SIZE
A

REV. X.01 SHEET 1 OF 2

6' CHAMPION TABLE TOP

924-3P6



1. Drill 6 holes in the ground as per the sketch on page 1.
2. Place the pedestals in the holes.
3. Drill plastic out of the mounting holes on the pedestals, top and seats using a 7/16" dia. drill bit.
4. Fasten the table top to the pedestals, support and level table top. Check height.
5. When the seats and top are level and secured fill the holes with concrete to approx. 2" below ground level.

ITEM NO.	PART NUMBER	DESCRIPTION	QTY.
1	642-PT3	6' CHAMPION TABLE TOP	1
2	630-080	TABLE PEDESTAL	2
3	622-0P3	CHAMPION 6' SETA/BACK	2
4	516-058	3/8"x1-1/2" SS Hex Bolt	12
5	516-023	3/8" SS Flat Washer	24
6	630-081	SEAT PEDESTAL	4
7	516-028	3/8" SS Nylock Nut	4

In accordance to California law:
 WARNING - This product contains a chemical known to the State of California to cause cancer and birth defects or other reproductive harm.



PREMIER POLYSTEEL

The Best Commercial Outdoor Furniture Available. Period.



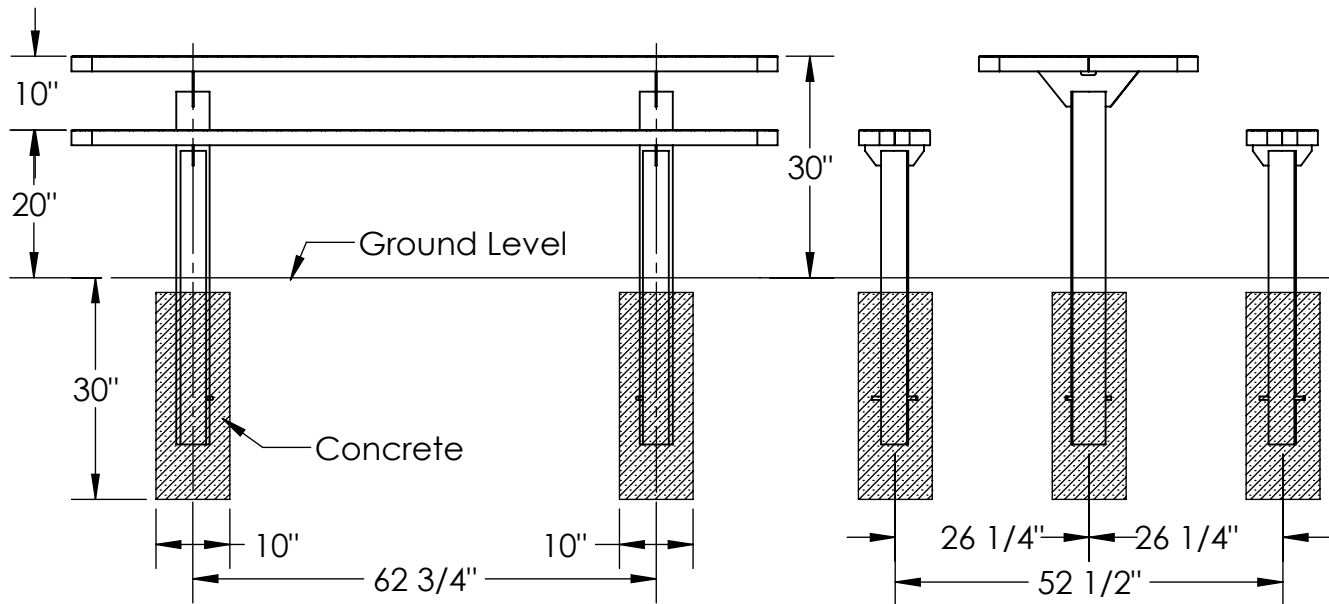
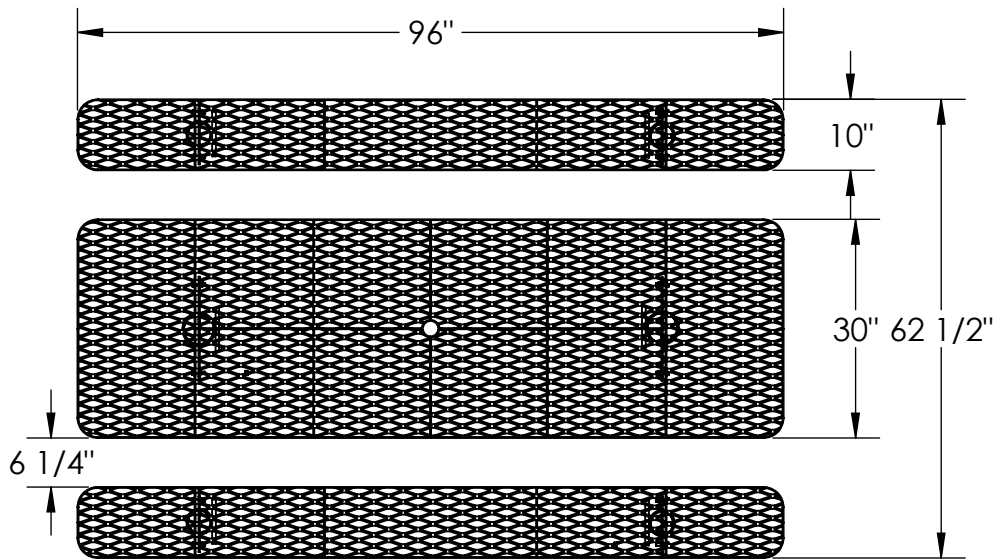
SIZE
A

REV. X.01 SHEET 2 OF 2



8' Champion Multi-Pedestal Direct Bury

924-506



PREMIER POLYSTEEL

The Best Commercial Outdoor Furniture Available. Period.



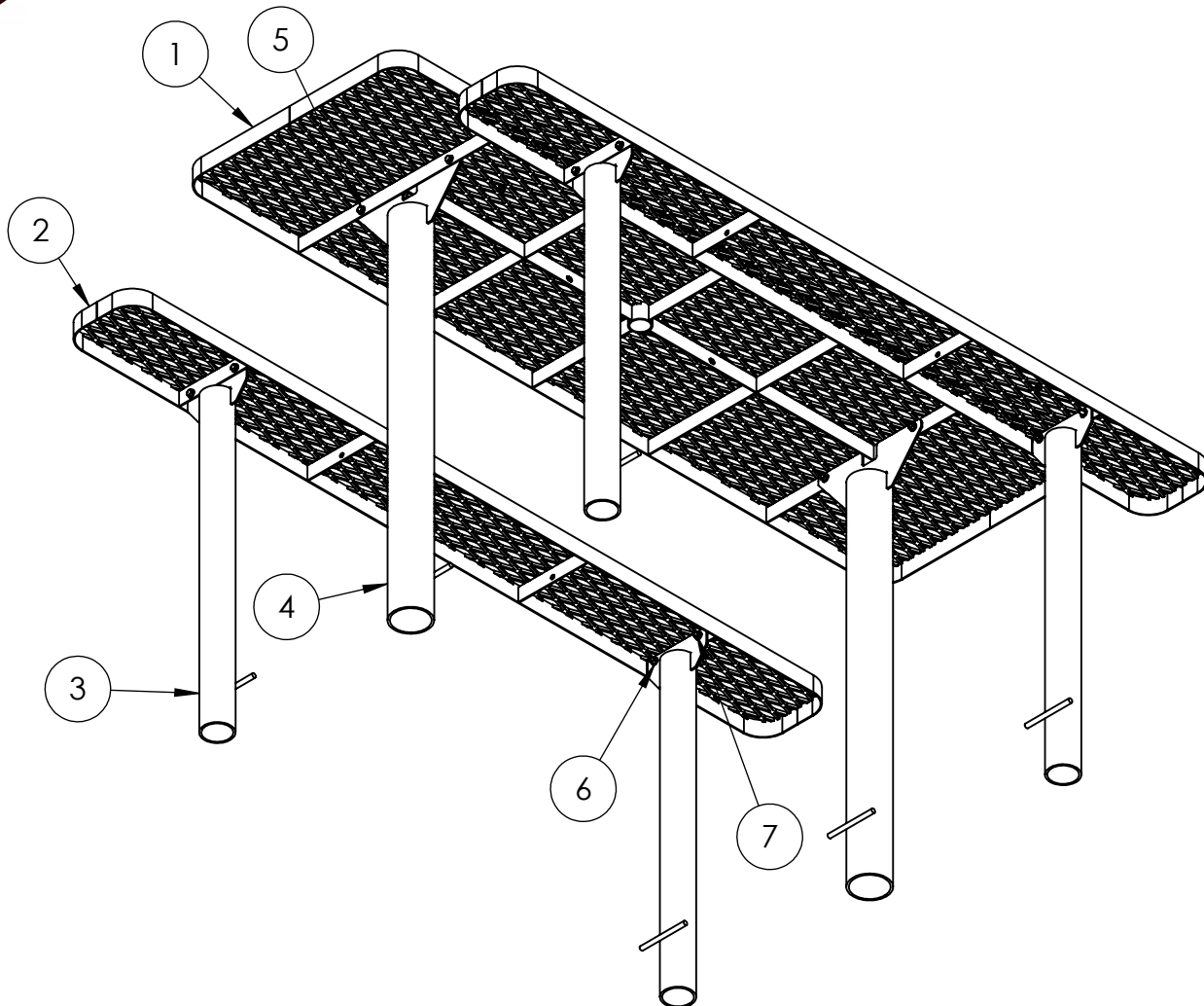
SIZE
A

REV. X.01 | SHEET 1 OF 2



8' Champion Multi-Pedestal Direct Bury

924-506



In Accordance to California law: WARNING This product contains a chemical known to the State of California to cause cancer and birth defects or other reproductive harm.

1. Drill 6 holes in the ground per the drawing on sheet 1.
2. Place the pedestals in the holes.
3. Drill plastic out of the mounting holes on the pedestals, top and seats using a 7/16" dia. drill bit.
4. Fasten the table top to the pedestals, support and level table top. Check height.
5. Fasten the seats to the pedestals, support and level seats. Check height.
6. When the seats and top are level and secured fill the holes with concrete to about 2" below ground level.

ITEM NO.	PART NUMBER	DESCRIPTION	QTY.
1	642-015	8' Champion Table Top	1
2	622-015	8' Champion Seat/Back	2
3	630-081	Seat Pedestal	4
4	630-080	Table Pedestal	2
5	516-058	3/8"x1-1/2" SS Hex Bolt	12
6	516-023	3/8" SS Flat Washer	24
7	516-028	3/8" SS Nylock Nut	12



PREMIER POLYSTEEL

The Best Commercial Outdoor Furniture Available. Period.

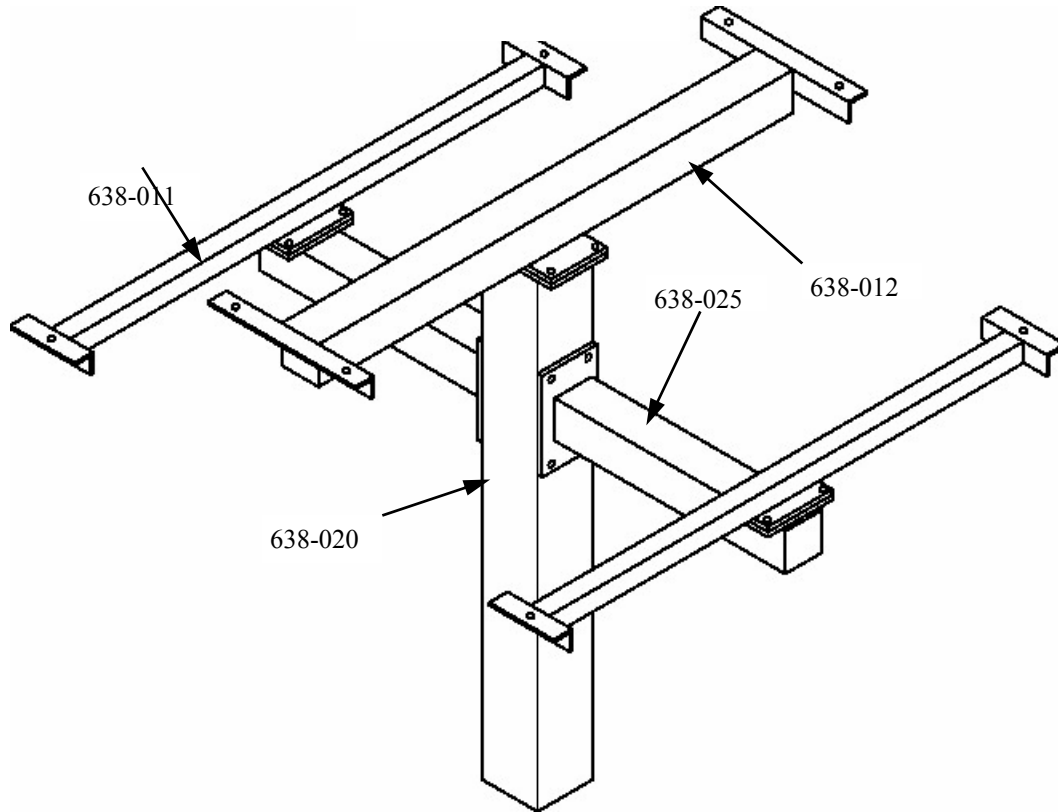


SIZE
A

REV. X.01 | SHEET 2 OF 2



924-108



Part No.	Description	Qty.
642-011A	4' Champion Table 1Ped	1
622-011A	4' Champion Seat 1 Ped	2
638-020	6" Pedestal DB	1
638-011	Seat Support Arm	2
638-012	Table Top Arm	1
638-025	Seat Arm	2
516-023	3/8" SS Flat Washer	40
516-028	3/8" SS Nylock Nut	20
516-059	3/8" x 2-1/2" SS Hex Head Bolt	12
516-058	3/8" x 1-1/2" SS Hex Head Bolt	8
516-051	1/2" x 9" SS Hex Bolt	4
516-036	1/2" SS Nylock Nut	4
516-027	1/2" SS Washer 1.25" OD	8

Periodic check of bolt tightness recommended.

Table Top and Seats not shown.



PREMIER POLYSTEEL

The Best Commercial Outdoor Furniture Available. Period.





924-108 Single Pedestal Direct Bury 4' Champion Table

- 1 Bore a 12-14" diameter hole 36" into the ground.
- 2 Place 4-6" of pea rock in the hole.
- 3 Place center pedestal post into the hole.
- 4 Drill out the holes in the center pedestal and the seat arm mounting plate with a 1/2" drill bit.
- 5 Drill out all other holes with a 7/16" drill bit.
- 6 Bolt the seat arms to the center pedestal using four 1/2" x 9" stainless steel hex bolts, eight 1/2" stainless steel washers and four 1/2" stainless steel nylock hex nuts.
- 7 Bolt seat supports on to the seat arms using four 3/8"x2-1/2" stainless steel hex bolts, eight stainless washers and four 3/8" stainless steel nylock hex nuts.
- 8 Bolt table top support on to the center pedestal post using four 3/8"x2-1/2" stainless steel hex bolts, eight stainless steel washers and four stainless steel nylock hex nuts.
- 9 Bolt the table top on to the table top support using four 3/8"x1-1/2" stainless steel hex bolts, eight stainless steel washers and four stainless steel nylock hex nuts.
- 10 Bolt the seats on to the seat supports using two 3/8"x1-1/2" stainless steel hex bolts, four stainless steel washers and two stainless steel nylock hex nuts.
- 11 Level table and adjust to desired height. Recommended height is 20" from the ground to the top of the seats.
- 12 Fill hole with concrete no higher than ground level.

In Accordance to California law: WARNING This product contains a chemical known to the State of California to cause cancer and birth defects or other reproductive harm.



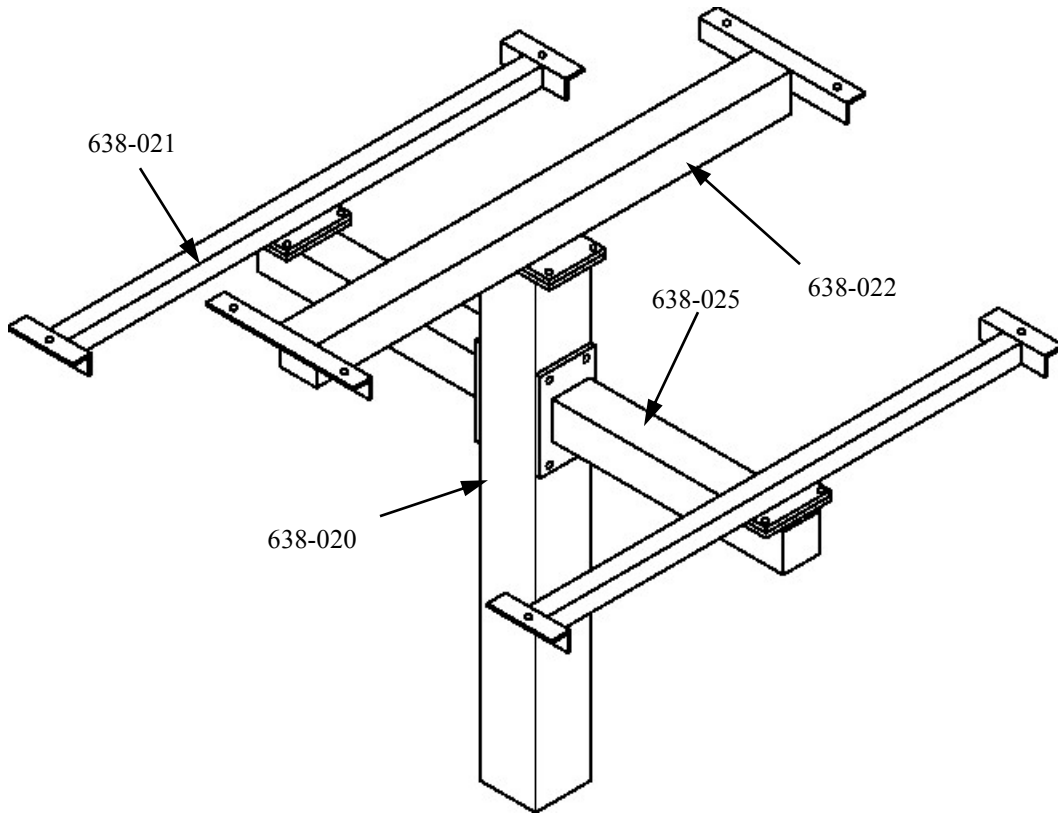
PREMIER POLYSTEEL

The Best Commercial Outdoor Furniture Available. Period.





924-308



	Description	Qty.
	6' Champion Table 1Ped	1
	6' Champion Seat 1 Ped	2
	6" Pedestal DB	1
	Seat Support Arm	2
	Table Top Arm	1
	Seat Arm	2
	3/8" SS Flat Washer	40
	3/8" SS Nylock Nut	20
	3/8" x 2-1/2" SS Hex Head Bolt	12
	3/8" x 1-1/2" SS Hex Head Bolt	8
	1/2" x 9" SS Hex Bolt	4
	1/2" SS Nylock Nut	4
	1/2" SS Washer 1.25" OD	8

Periodic check of bolt tightness recommended.

Table Top and Seats not shown.



PREMIER POLYSTEEL

The Best Commercial Outdoor Furniture Available. Period.





924-308 Single Pedestal Direct Bury 6' Champion Table

- 1 Bore a 12-14" diameter hole 36" into the ground.
- 2 Place 4-6" of pea rock in the hole.
- 3 Place center pedestal post into the hole.
- 4 Drill out the holes in the center pedestal and the seat arm mounting plate with a 1/2" drill bit.
- 5 Drill out all other holes with a 7/16" drill bit.
- 6 Bolt the seat arms to the center pedestal using four 1/2" x 9" stainless steel hex bolts, eight 1/2" stainless steel washers and four 1/2" stainless steel nylock hex nuts.
- 7 Bolt seat supports on to the seat arms using four 3/8"x2-1/2" stainless steel hex bolts, eight stainless washers and four 3/8" stainless steel nylock hex nuts.
- 8 Bolt table top support on to the center pedestal post using four 3/8"x2-1/2" stainless steel hex bolts, eight stainless steel washers and four stainless steel nylock hex nuts.
- 9 Bolt the table top on to the table top support using four 3/8"x1-1/2" stainless steel hex bolts, eight stainless steel washers and four stainless steel nylock hex nuts.
- 10 Bolt the seats on to the seat supports using two 3/8"x1-1/2" stainless steel hex bolts, four stainless steel washers and two stainless steel nylock hex nuts.
- 11 Level table and adjust to desired height. Recommended height is 20" from the ground to the top of the seats.
- 12 Fill hole with concrete no higher than ground level.

In Accordance to California law: WARNING This product contains a chemical known to the State of California to cause cancer and birth defects or other reproductive harm.



PREMIER POLYSTEEL

The Best Commercial Outdoor Furniture Available. Period.

