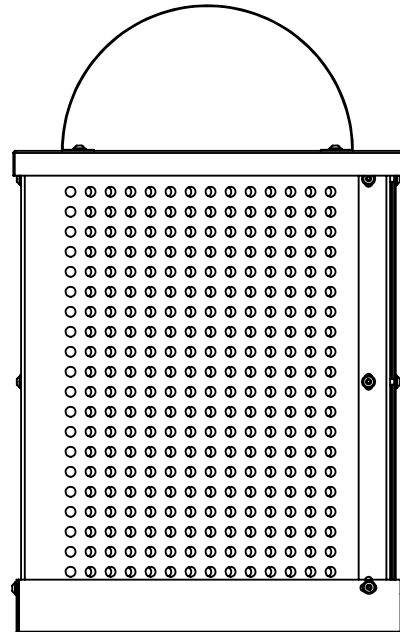
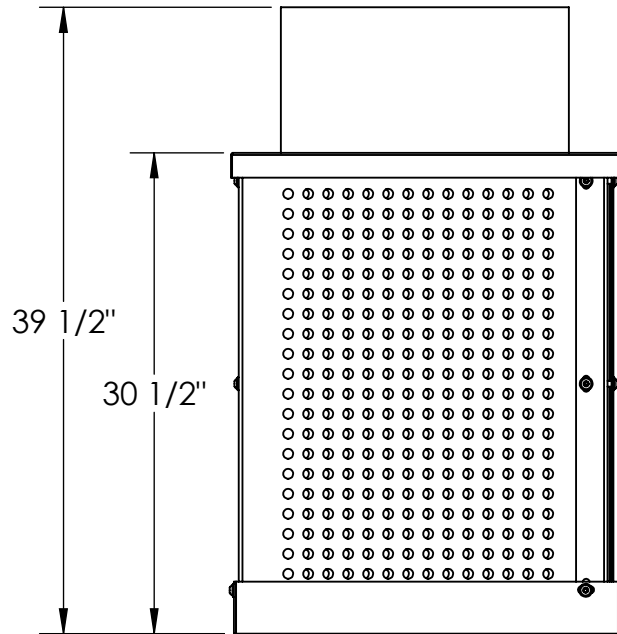
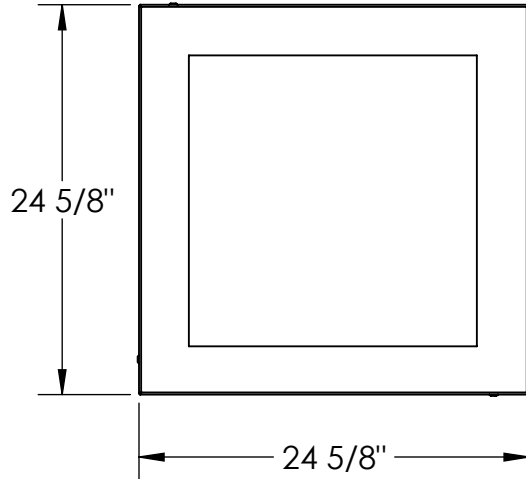




# 32 Gallon Perforated Square Receptacle

992-031



ITEM NO.	PART NUMBER	DESCRIPTION	QTY.
1	653-006	Receptacle Base	1
2	653-045	32 Gallon Perforated Side	4
3	653-011	Arch Lid	1
4	653-002	Square Receptacle Top	1
5	516-045	3/8"x1-1/4" SS Btn Skt Cap Screw	4
6	516-031	3/8"x1-3/4" SS Btn Skt Cap Screw	4
7	516-044	3/8"x1-1/2" SS Btn Skt Cap Screw	8
8	516-023	3/8" SS Flat Washer	32
9	516-028	3/8" SS Nylock Nut	16



## PREMIER POLYSTEEL

The Best Commercial Outdoor Furniture Available. Period.

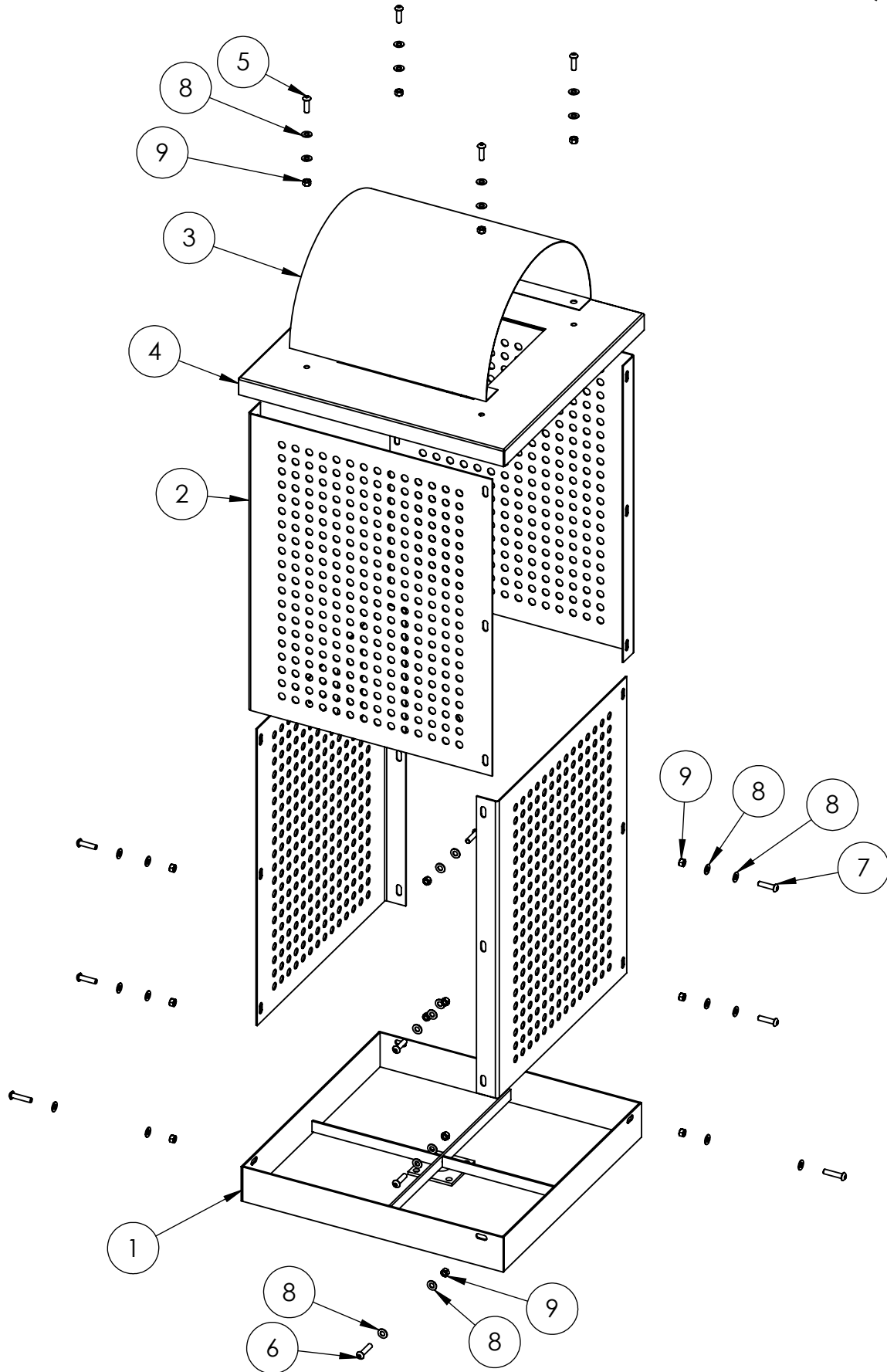


SIZE  
**A**



# 32 Gallon Perforated Square Receptacle

992-031



## PREMIER POLYSTEEL

The Best Commercial Outdoor Furniture Available. Period.



SIZE  
**A**

REV. X.01 | SHEET 2 OF 3



1. With a 7/16" drill bit, drill out the holes of the side panels, arch, lid, and base.
2. Making sure the smooth finished sides of the side panels are out, stand two of the side panels vertically and connect the angle mount of one side, and the flat mount of the other with the nuts, washers, and 3/8"x1-1/2" bolts. Leave the bottom holes open, they will be used to mount the side panels to the base once the assembly is complete.
3. Repeat this process with the remaining two side panels.
4. Connect the two assemblies to each other in the same manner as step two, creating a box.
5. Place the box into the base aligning the bottom holes with the holes of the base. Bolt the two pieces together.
6. Complete the top assembly by aligning the holes of the arch with the holes in the lid and bolt together with the nuts, washers, and 3/8"x1-1/4" bolts.
7. Place the lid assembly over the side assembly.
8. There is a chain loop mounted to the inside of the lid and base if a security chain is required.

In Accordance to California law: WARNING This product contains a chemical known to the State of California to cause cancer and birth defects or other reproductive harm.



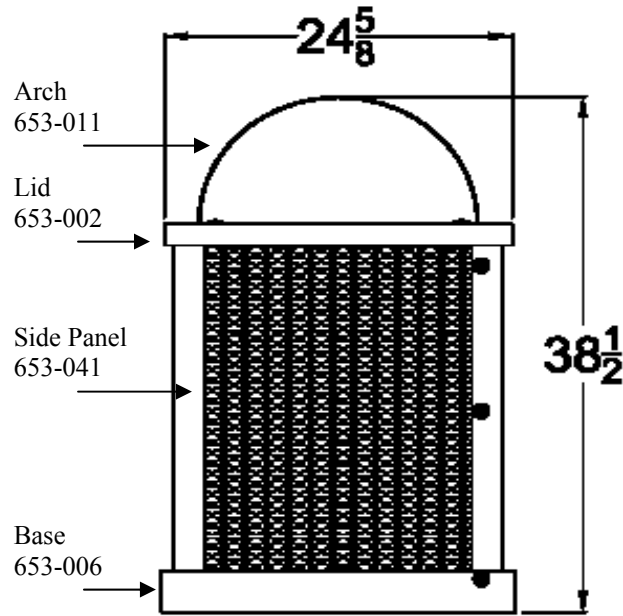
**PREMIER POLYSTEEL**

The Best Commercial Outdoor Furniture Available. Period.





993-031



Part No.	Description	Qty.
653-002	Receptacle Lid	1
653-006	Receptacle Base	1
653-011	Arch	1
653-044	Receptacle Side Panel	4
516-031	3/8"x1-3/4" SS Btn Skt Cap Scr	4
516-044	3/8"x1-1/2" SS Btn Skt Cap Scr	8
516-045	3/8"x1-1/4" SS Btn Skt Cap Scr	4
516-028	3/8" SS Nylock Nut	16
516-023	3/8" SS Flat Washer	32

1. With a 7/16" drill bit, drill out the holes of the side panels, arch, lid, and base.
2. Making sure the smooth finished sides of the side panels are out, stand two of the side panels vertically and connect the angle mount of one side, and the flat mount of the other with the nuts, washers, and 3/8"x1-1/2" bolts. Leave the bottom holes open, they will be used to mount the side panels to the base once the assembly is complete.
3. Repeat this process with the remaining two side panels.
4. Connect the two assemblies to each other in the same manner as step two, creating a box.
5. Place the box into the base aligning the bottom holes with the holes of the base. Bolt the two pieces together.
6. Complete the top assembly by aligning the holes of the arch with the holes in the lid and bolt together with the nuts, washers, and 3/8"x1-1/4" bolts.
7. Place the lid assembly over the side assembly.
8. There is a chain loop mounted to the inside of the lid and base if a security chain is required

*Periodic check of bolt tightness recommended.*

In Accordance to California law: WARNING This product contains a chemical known to the State of California to cause cancer and birth defects or other reproductive harm.



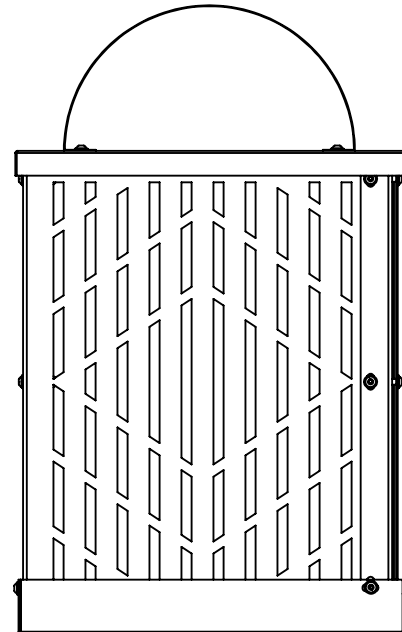
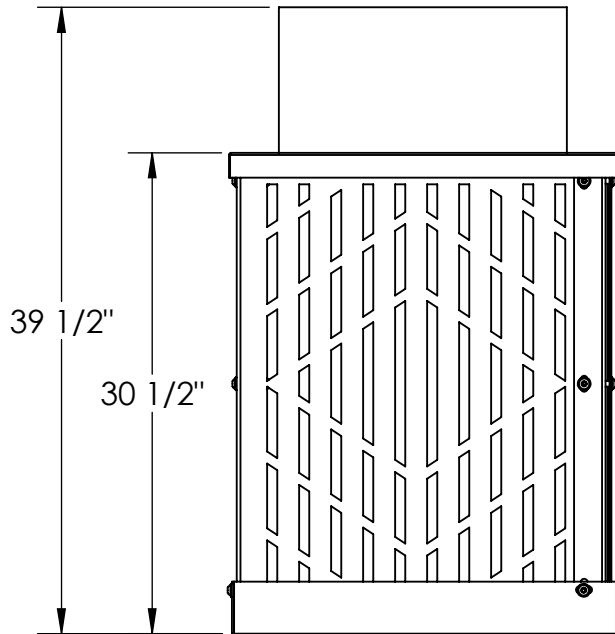
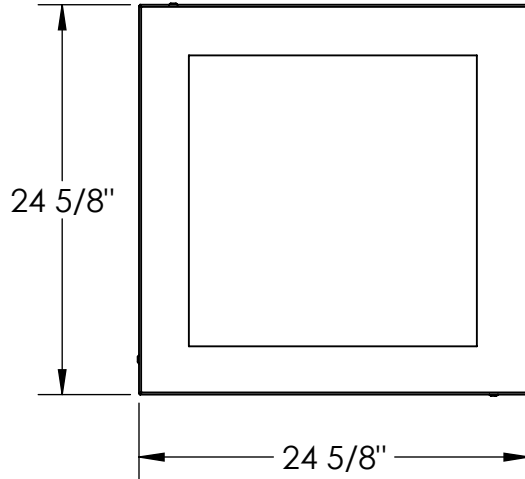
**PREMIER POLYSTEEL**  
The Best Commercial Outdoor Furniture Available. Period.





# 32 Gallon Laser Square Receptacle

994-031



ITEM NO.	PART NUMBER	DESCRIPTION	QTY.
1	653-006	Receptacle Base	1
2	653-043	32 Gallon Sq Laser Side	4
3	653-011	Arch Lid	1
4	653-002	Square Receptacle Top	1
5	516-045	3/8"x1-1/4" SS Btn Skt Cap Screw	4
6	516-031	3/8"x1-3/4" SS Btn Skt Cap Screw	4
7	516-044	3/8"x1-1/2" SS Btn Skt Cap Screw	8
8	516-023	3/8" SS Flat Washer	32
9	516-028	3/8" SS Nylock Nut	16



## PREMIER POLYSTEEL

The Best Commercial Outdoor Furniture Available. Period.



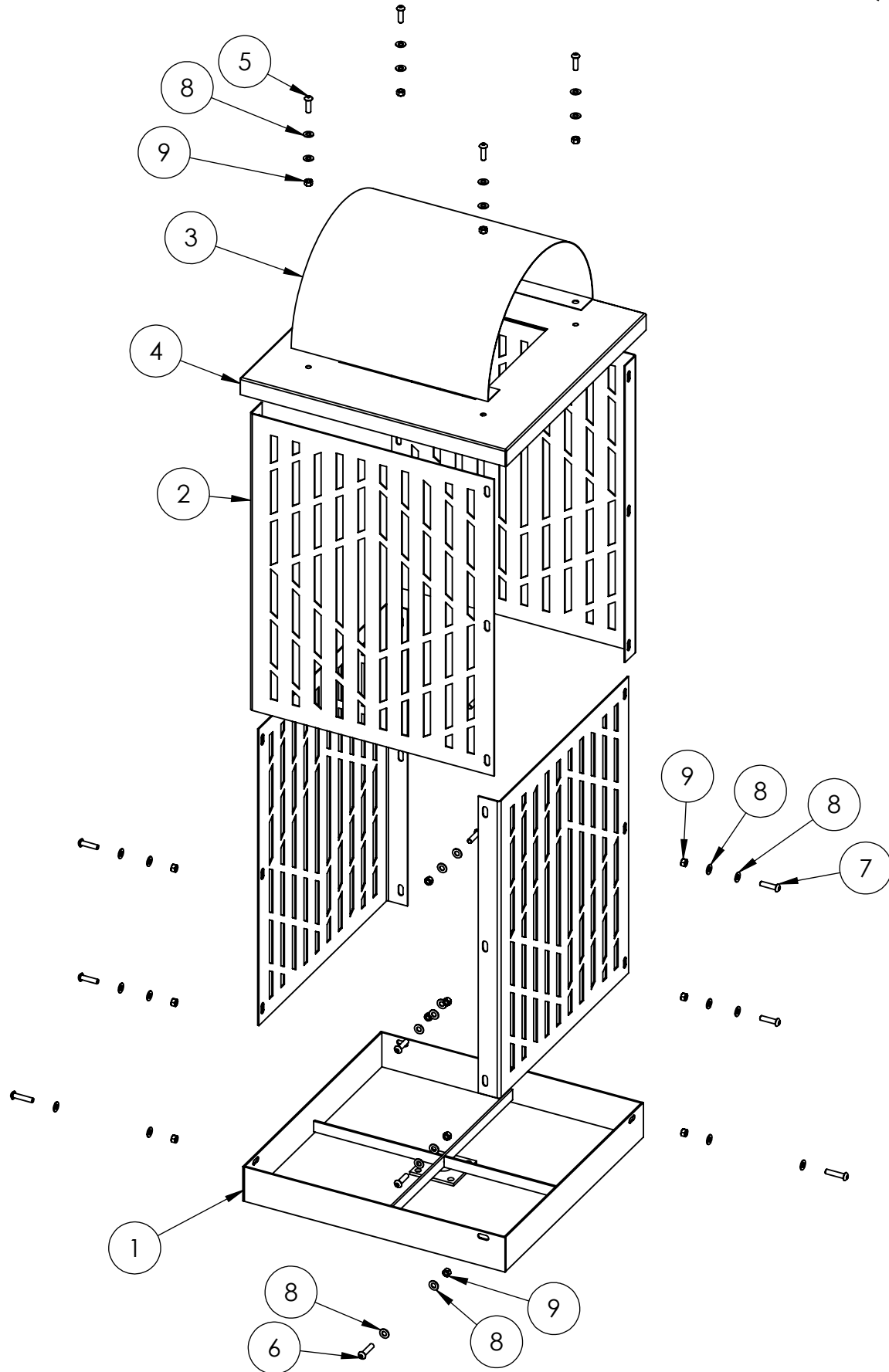
SIZE  
**A**

REV. X.01 | SHEET 1 OF 3



# 32 Gallon Laser Square Receptacle

994-031



## PREMIER POLYSTEEL

The Best Commercial Outdoor Furniture Available. Period.



SIZE  
**A**

REV. X.01 | SHEET 2 OF 3



1. With a 7/16" drill bit, drill out the holes of the side panels, arch, lid, and base.
2. Making sure the smooth finished sides of the side panels are out, stand two of the side panels vertically and connect the angle mount of one side, and the flat mount of the other with the nuts, washers, and 3/8"x1-1/2" bolts. Leave the bottom holes open, they will be used to mount the side panels to the base once the assembly is complete.
3. Repeat this process with the remaining two side panels.
4. Connect the two assemblies to each other in the same manner as step two, creating a box.
5. Place the box into the base aligning the bottom holes with the holes of the base. Bolt the two pieces together.
6. Complete the top assembly by aligning the holes of the arch with the holes in the lid and bolt together with the nuts, washers, and 3/8"x1-1/4" bolts.
7. Place the lid assembly over the side assembly.
8. There is a chain loop mounted to the inside of the lid and base if a security chain is required.

In accordance to California law: WARNING - This product contains a chemical known to the State of California to cause cancer and birth defects or other reproductive harm.



**PREMIER POLYSTEEL**

The Best Commercial Outdoor Furniture Available. Period.



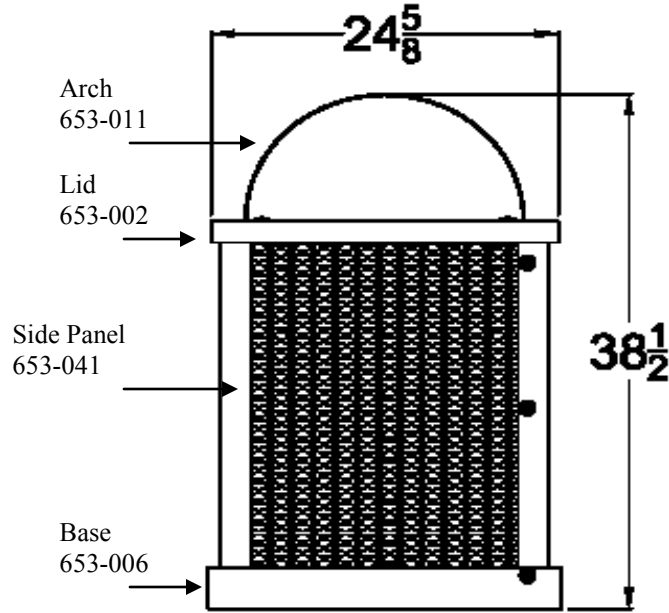


# 996-031 Square Arch Lid Receptacle



## PREMIER POLYSTEEL

The Best Commercial Outdoor Furniture Available. Period.



Part No.	Description	Qty.
653-002	Receptacle Lid	1
653-006	Receptacle Base	1
653-011	Arch	1
653-041	Receptacle Side Panel	4
516-031	3/8"x1-3/4" SS Btn. Skt. Cap Scr.	4
516-044	3/8"x1-1/2" SS Btn Skt. Cap Scr	8
516-045	3/8"x1-1/4" SS Btn. Skt. Cap Scr	4
516-028	3/8" SS Nylock Nut	16
516-023	3/8" SS Flat Washer	32

### Assembly Instructions:

1. With 7/16" drill bit, drill out the holes of the side panels, arch, lid, and base.
2. Making sure the smooth finished sides of the side panels are out, stand two of the side panels vertically and connect the angle mount of one side, and the flat mount of the other with the nuts, washers, and 3/8"x1-1/2" bolts. Leave the bottom holes open, they will be used to mount the side panels to the base once the assembly is complete.
3. Repeat this process with the remaining two side panels
4. Connect the two assemblies to each other in the same manner as step two, creating a box
5. Place the box into the base aligning the bottom holes with the holes of the base. Bolt the two pieces together.
6. Complete the top assembly by aligning the holes of the arch with the holes in the lid and bolt together with the nuts, washers. And 3/8"x1-1/4" bolts.
7. Place the lid assembly over the side assembly.
8. There is a chain loop mounted to the inside of the lid and base if a security chain is required.

*Periodic check of bolt tightness recommended.*

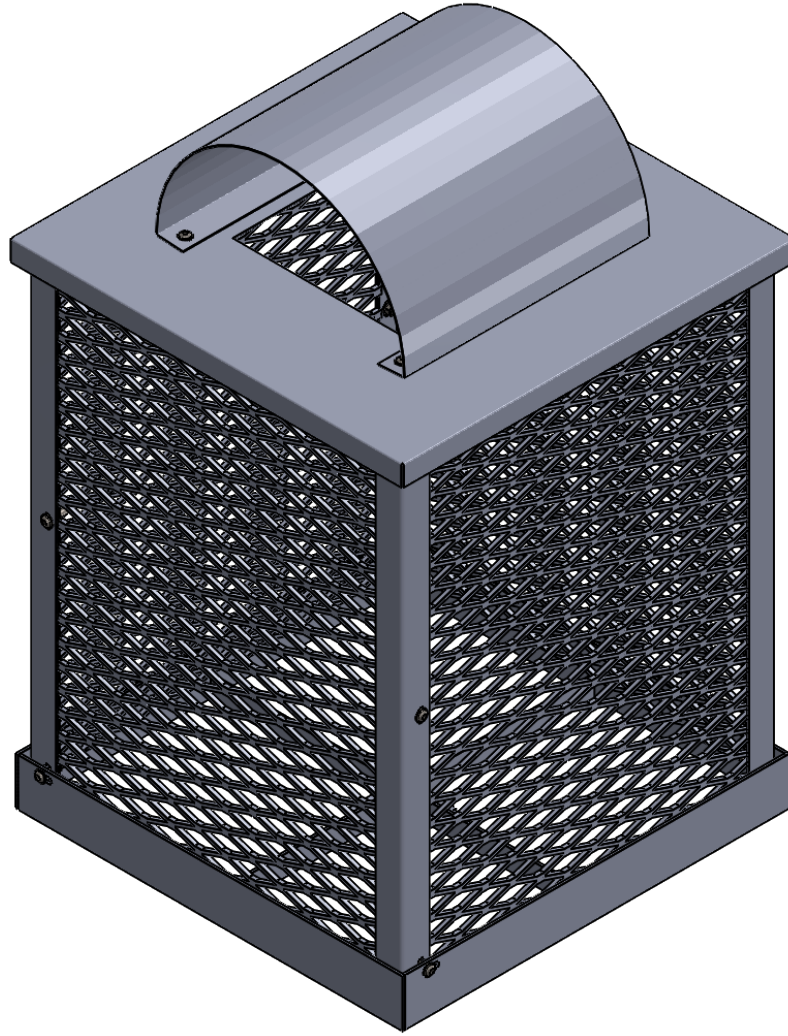
In Accordance to California law: WARNING This product contains a chemical known to the State of California to cause cancer and birth defects or other reproductive harm.





# 55 Gallon Square Receptacle Arch Lid

996-051



ITEM NO.	PART NUMBER	DESCRIPTION	QTY.
1	653-556	55 GALLON SQUARE RECEPTACLE BASE	1
2	653-541	55 GALLON RECEPTACLE SIDE	4
3	653-552	55 GALLON RECEPTACLE LID	1
4	516-031	3/8"x1-3/4" SS Btn Skt Cap Screw	4
5	516-044	3/8"x1-1/2" SS Btn Skt Cap Screw	8
6	516-045	3/8"x1-1/4" SS Btn Skt Cap Screw	4
7	516-023	3/8" SS Flat Washer	32
8	516-028	3/8" SS Nylock Nut	16
9	653-011	QUONSET GARBAGE CAN TOP	1

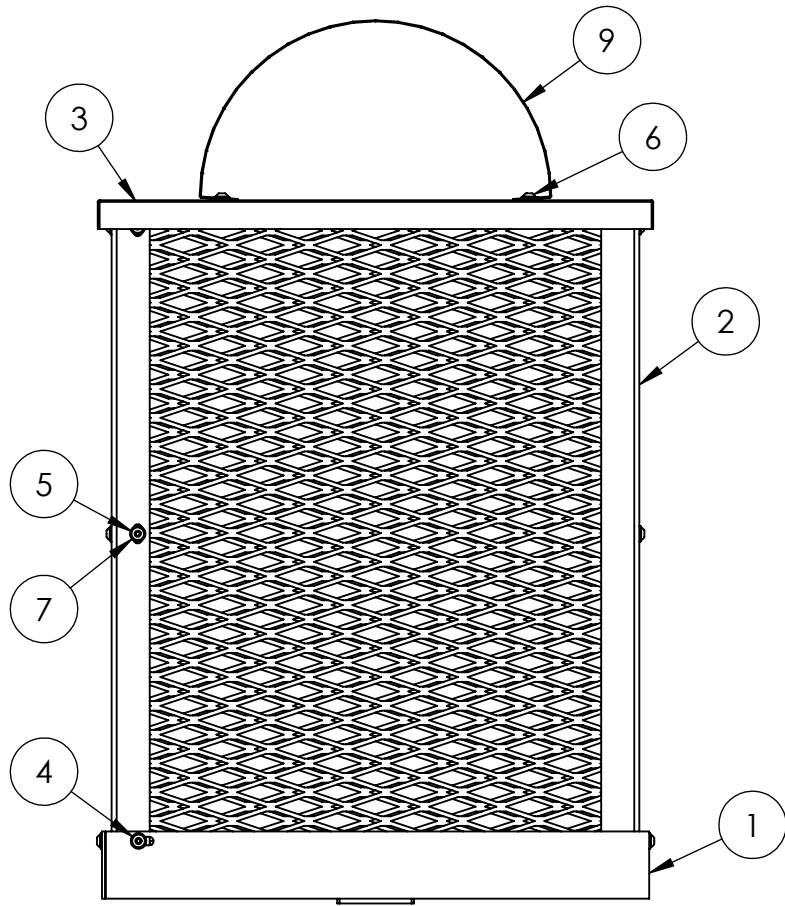


## PREMIER POLYSTEEL

The Best Commercial Outdoor Furniture Available. Period.



SIZE  
**A**



Tools List

- 7/16" Drill bit
- 9/16" Socket
- 9/16" Wrench
- 7/32" Allen Wrench
- Impact Gun (Optional)
- Drill

1. With a 7/16" drill bit, drill out the holes of the sides, roof, lid, and base.
2. Making sure the smooth finished sides of the can side are out, stand two of the sides vertically and connect the angle mount of one side, and the flat mount of the other with the nuts, washers, and 3/8"x1-1/2" bolts. Leave the bottom holes open, they will be used to mount the sides to the base once the assembly is complete.
3. Repeat this process with the remaining two sides.
4. Connect the two assemblies to each other in the same manner as step two, creating a box.
5. Place the box into the base aligning the bottom holes with the holes of the base. Bolt the two pieces together.
6. Complete the top assembly by aligning the holes of the roof with the holes in the lid and bolt together with the nuts, washers, and 3/8"x1-1/4" bolts.
7. Place the lid over the side assembly.
8. There is a chain loop mounted to the inside of the lid and base if a security chain is required.

*Periodic check of bolts tightness recommended*

In accordance to California law: WARNING - This product contains a chemical known to the State of California to cause cancer and birth defects or other reproductive harm.



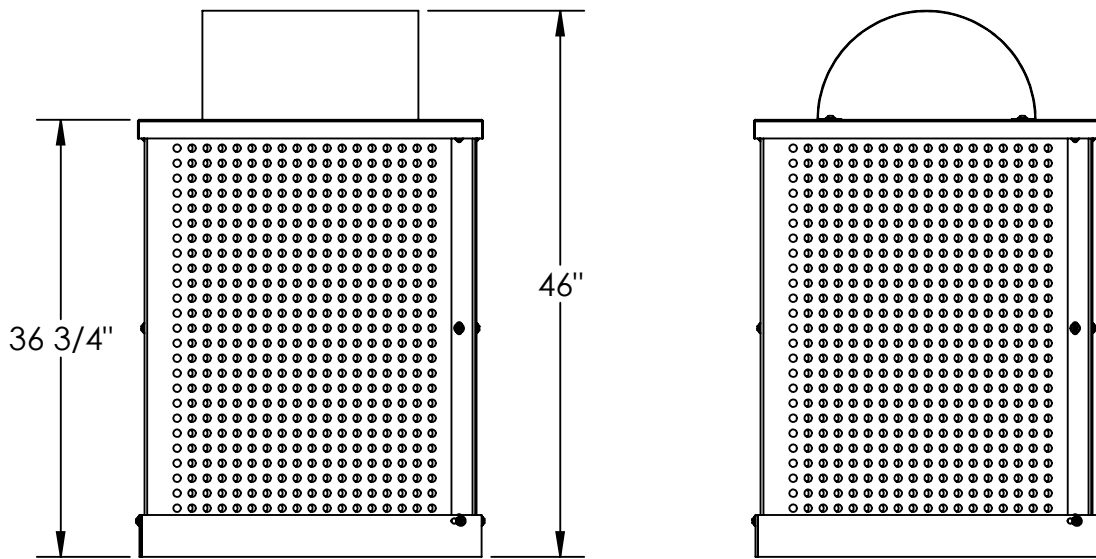
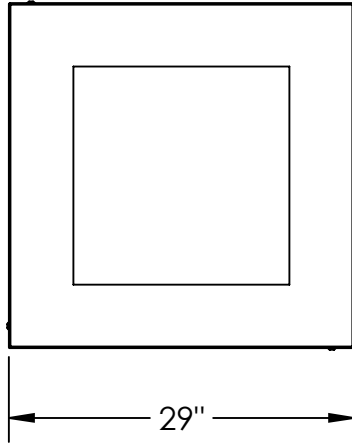
**PREMIER POLYSTEEL**

The Best Commercial Outdoor Furniture Available. Period.



Premier 55 Gallon Perforated Metal Free Standing/Surface Mount Square Receptacle with Arch Lid

996-P51



ITEM NO.	PART NUMBER	DESCRIPTION	QTY.
1	653-556	55 gal. Square Receptacle Base	1
2	653-545	55 gal. Perforated Receptacle Side	4
3	653-552	55 gal Square Receptacle Top	1
4	653-011	Arch Lid	1
5	516-031	3/8"x1-3/4" SS Btn Skt Cap Screw	4
6	516-044	3/8"x1-1/2" SS Btn Skt Cap Screw	8
7	516-045	3/8"x1-1/4" SS Btn Skt Cap Screw	4
8	516-023	3/8" SS Flat Washer	32
9	516-028	3/8" SS Nylock Nut	16



**PREMIER POLYSTEEL**

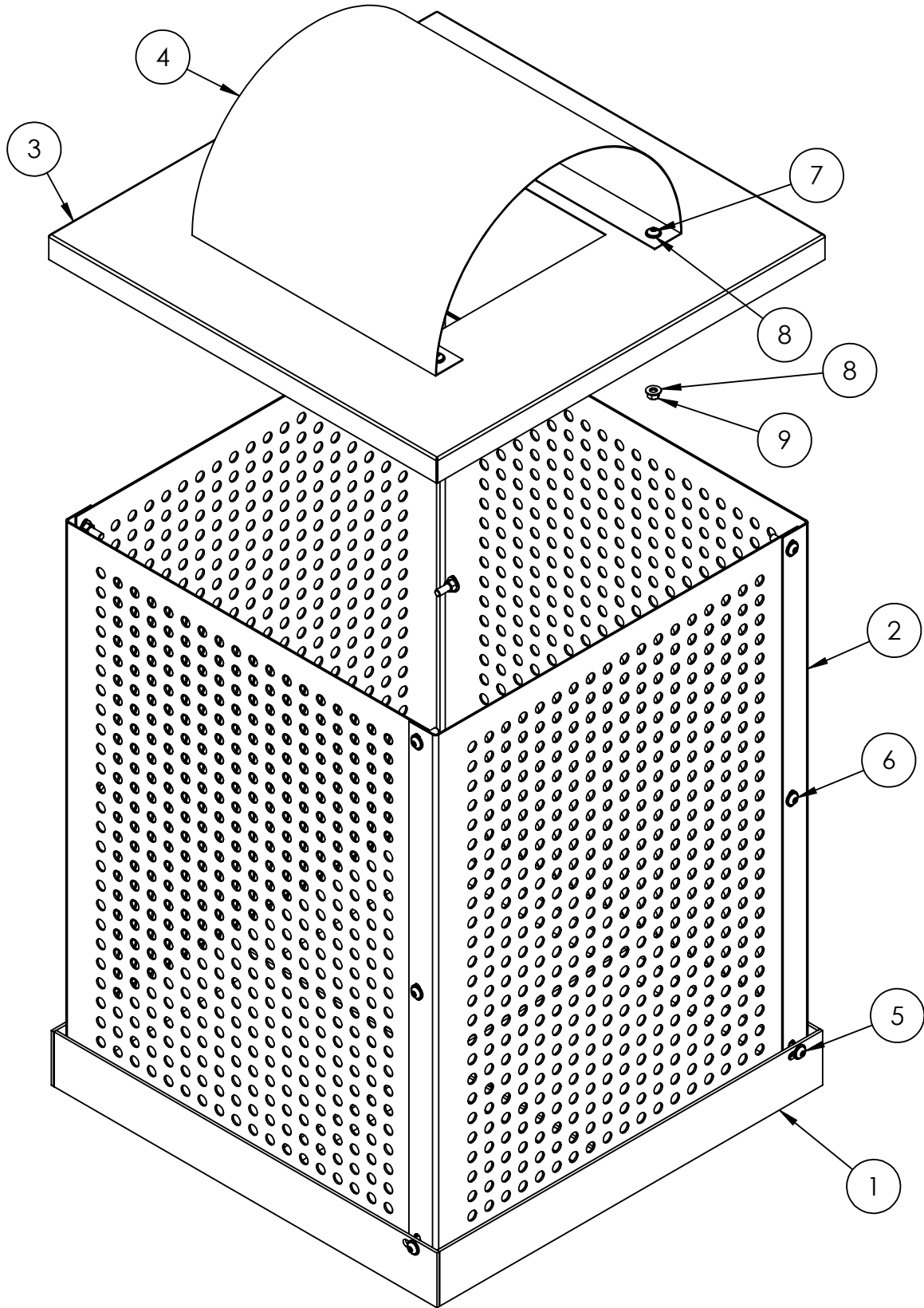
The Best Commercial Outdoor Furniture Available. Period.



SIZE  
**A**

Premier 55 Gallon Perforated Metal Free Standing/Surface Mount  
Square Receptacle with Arch Lid

996-P51



**PREMIER POLYSTEEL**

The Best Commercial Outdoor Furniture Available. Period.



SIZE  
**A**



1. With a 7/16" drill bit, drill out the holes of the side panels, arch, lid, and base.
2. Making sure the smooth finished sides of the side panels are out, stand two of the side panels vertically and connect the angle mount of one side, and the flat mount of the other with the nuts, washers, and 3/8"x1-1/2" bolts. Leave the bottom holes open, they will be used to mount the side panels to the base once the assembly is complete.
3. Repeat this process with the remaining two side panels.
4. Connect the two assemblies to each other in the same manner as step two, creating a box.
5. Place the box into the base aligning the bottom holes with the holes of the base. Bolt the two pieces together.
6. Complete the top assembly by aligning the holes of the arch with the holes in the lid and bolt together with the nuts, washers, and 3/8"x1-1/4" bolts.
7. Place the lid assembly over the side assembly.
8. There is a chain loop mounted to the inside of the lid and base if a security chain is required

In Accordance to California law: WARNING This product contains a chemical known to the State of California to cause cancer and birth defects or other reproductive harm.



**PREMIER POLYSTEEL**

The Best Commercial Outdoor Furniture Available. Period.



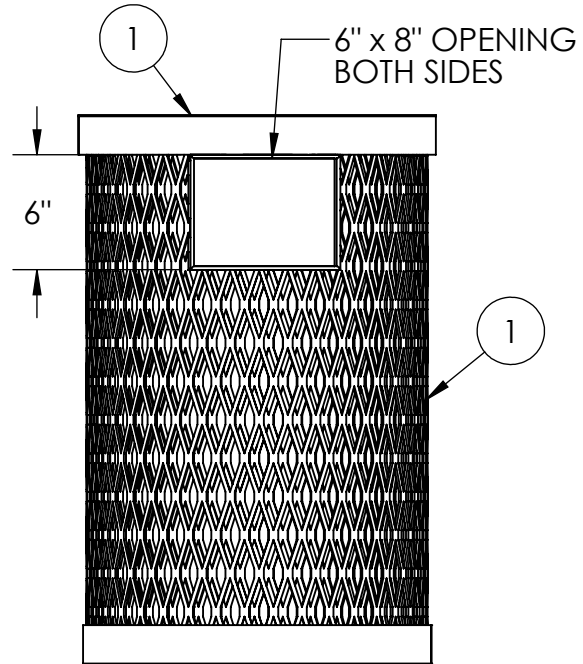
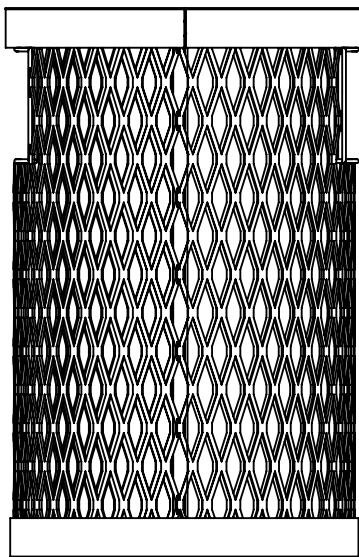
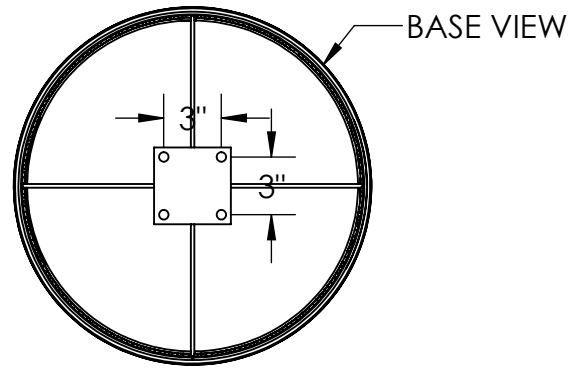


# 11 Gallon 1 Piece Expanded Receptacle, Round

987-131

### Tools List

- 7/16" Drill bit
- 9/16" Wrench
- Level
- Impact Gun (Optional)
- Drill



1. Drill plastic out of base holes using a 7/16" diameter drill bit.
2. Place receptacle in desired location and mark out base fixing holes.
3. Move the receptacle to a safe location and drill holes.
4. Place the receptacle back, level and secure down using appropriate fixings for the ground material.

*Periodic check of bolts tightness recommended*

In accordance to California law: WARNING - This product contains a chemical known to the State of California to cause cancer and birth defects or other reproductive harm.

ITEM NO.	PART NUMBER	DESCRIPTION	QTY.
1	653-360	11 Gallon 1 Piece Expanded Receptacle, Round	1
2	653-S025	11 Gallon 1 Piece Expanded Receptacle, Round Lid	1



## PREMIER POLYSTEEL

The Best Commercial Outdoor Furniture Available. Period.



SIZE  
A

REV. X.01 SHEET 1 OF 1

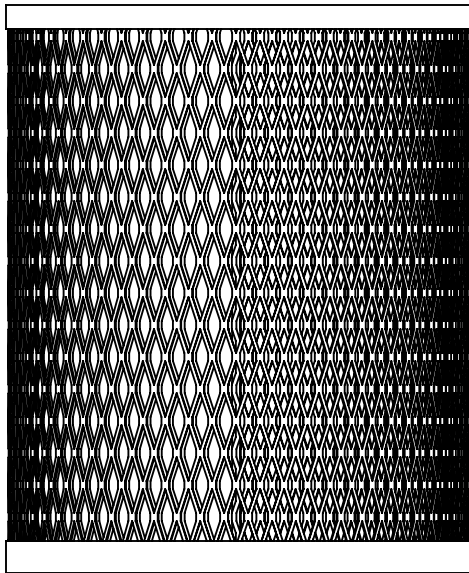
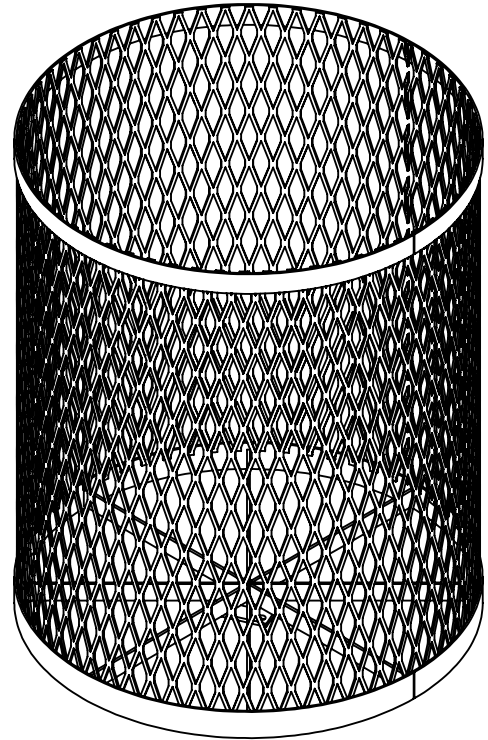
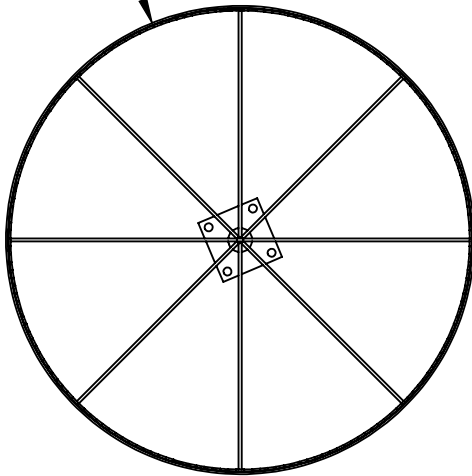




# 55 Gallon Trash Receptacle

989-131

Ø 29 1/2" OD



35 3/4"

In accordance to California law: WARNING - This product contains a chemical known to the State of California to cause cancer and birth defects or other reproductive harm.



## PREMIER POLYSTEEL

The Best Commercial Outdoor Furniture Available. Period.



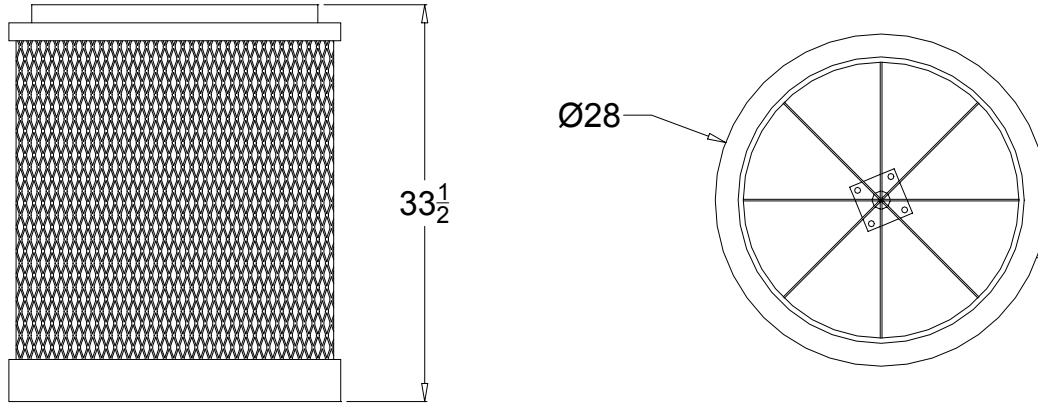
SIZE  
**A**

REV. X.01 | SHEET 1 OF 1



# 995-031

## 995-031 ROUND RECEPTACLE



Part No.	Description	Qty.
653-121	Round Receptacle Lid	1
653-106	Round Receptacle Base	1
653-141	Round Receptacle Side	1
516-045	3/8"x1-1/4" Btn Skt Cap Scr	4
516-058	3/8"x1-1/2" Hex Head	4
516-028	3/8" SS Nylock Nut	8
516-023	3/8" SS Flat Washer	16

### Assembly Instructions

- 1 Drill out the holes in the side with a 7/16" dia. drill bit. Also drill out the holes in the side of the base and top.
- 2 Roll the side so that the angles at each end are on the inside of the tube. Two ratchet type load binders work well for this. Then bolt the ends together with the 1-1/2" long Hex Head Screws.
- 3 If you are mounting the receptacle in place, drill out the four holes in the bottom plate of the base with a 7/16" dia drill bit and fasten to the floor with the appropriate fasteners. Skip this step if the receptacle will be free standing.
- 4 Place the side into the base and align the holes on the side of the base with the openings in the expanded metal side. Use the 1-1/4" long Button Socket Cap Screws so fasten the base to the side.
- 5 Install the top ring to the side and align the holes on the side of the top ring with the openings in the expanded metal side. Use the 1-1/4" long Button Socket Cap Screws so fasten the top to the side.

In Accordance to California law: WARNING This product contains a chemical known to the State of California to cause cancer and birth defects or other reproductive harm.

*Periodic check of bolt tightness recommended.*



# PREMIER POLYSTEEL

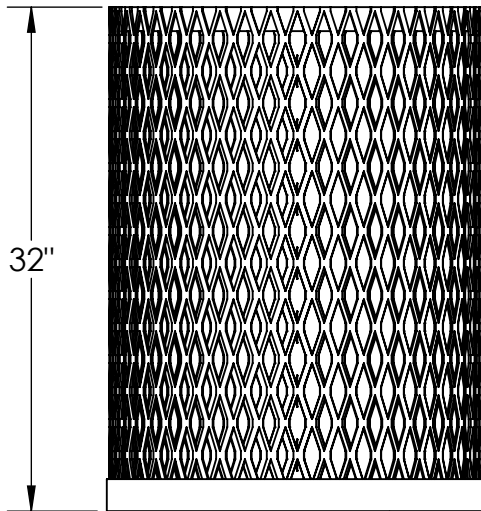
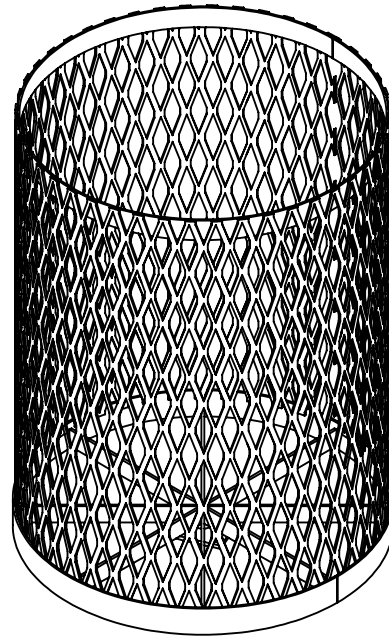
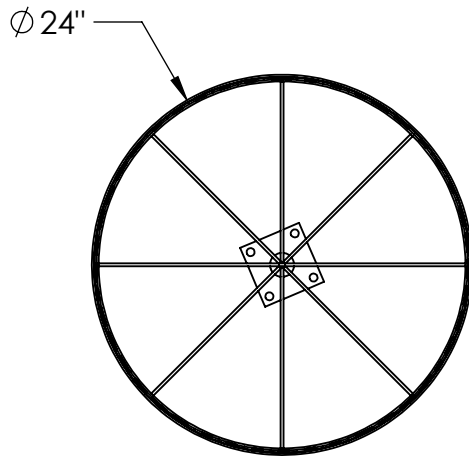
The Best Commercial Outdoor Furniture Available. Period.





# 32 Gallon One Piece Expanded Metal Free Standing/Surface Mount Round Receptacle Round Lid Ready

995-131



653-350

In Accordance to California law: WARNING This product contains a chemical known to the State of California to cause cancer and birth defects or other reproductive harm.



## PREMIER POLYSTEEL

The Best Commercial Outdoor Furniture Available. Period.



SIZE  
**A**

REV. X.01 SHEET 1 OF 1