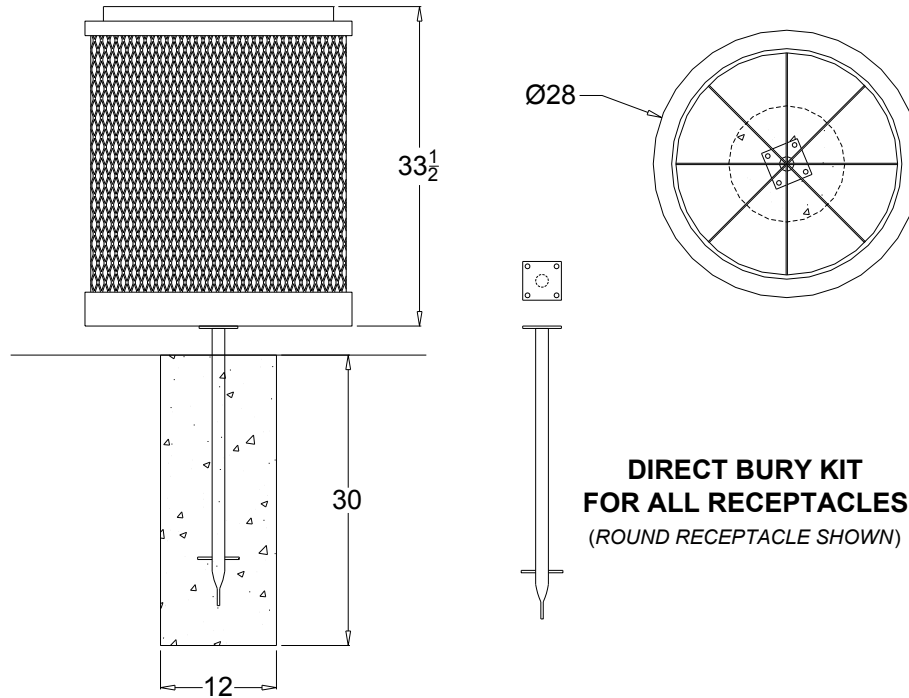




99DBKIT



Part No.	Description	Qty.
653-072	Direct Bury Post	1
516-058	3/8"x1-1/2" Hex Head Bolt	4
516-028	3/8" SS Nylock Nut	4
516-023	3/8" SS Flat Washer	8

Assembly Instructions

- 1 With a post hole auger drill a hole in the ground 30" deep in the desired location.
- 2 Drill out the holes in the mounting plate of the post with a 7/16" dia. drill bit. Also drill out the holes in the mounting plate of the garbage receptacle base.
- 3 Place the direct bury post into the center of the ground hole and support it in place. Make sure that the top of the post is level. If the top mounting plate is not level, the receptacle will not stand straight. The base of the receptacle can be installed to the post prior to securing the post in the ground hole. If the base is installed to the post you may have to clean concrete from the base after filling the hole. (*Note: The distance between the ground and the bottom of the receptacle is your choice. You need to leave enough room to install the fasteners.*)
- 4 Fill the hole with concrete after the post is leveled. We suggest that you fill the hole slightly higher than ground level and crown the top of the concrete so that water doesn't pool under the receptacle.
- 5 After the concrete has set you can continue with the receptacle installation.

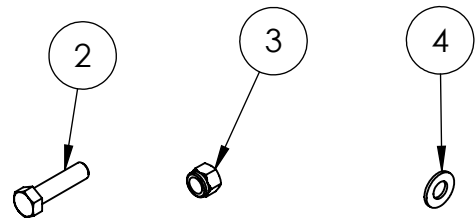
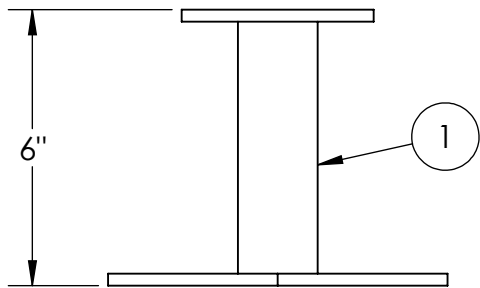
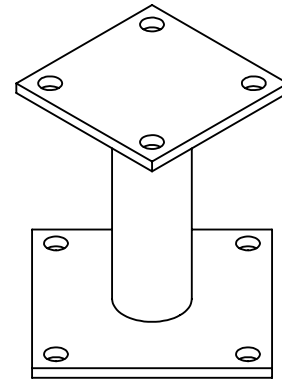
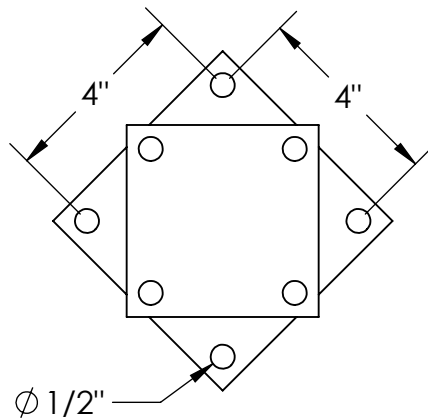
In Accordance to California law: WARNING This product contains a chemical known to the State of California to cause cancer and birth defects or other reproductive harm.

Periodic check of bolt tightness recommended.



6" Surface Mount Stand for Receptacle

99SMKIT



1. Position stand where you want the receptacle located and mark hole locations.
2. Drill holes in the concrete using the recommended drill bit for the size of anchors you are using.
3. Install stand with the anchors and tighten them down securely.
4. Screw the hex bolts, with washer, through the holes in the receptacle base plate and top of the stand.
5. Install another washer, then the Nylock nut and tighten securely.

Item	Part #	Description	Qty.
1	653-074	6" Surface Mount Stand	1
2	516-058	3/8"x1-1/2" SS Hex Bolt	4
3	516-028	3/8" SS Nylock Nut	4
4	516-023	3/8" SS Flat Washer	8

In Accordance to California law: WARNING This product contains a chemical known to the State of California to cause cancer and birth defects or other reproductive harm.