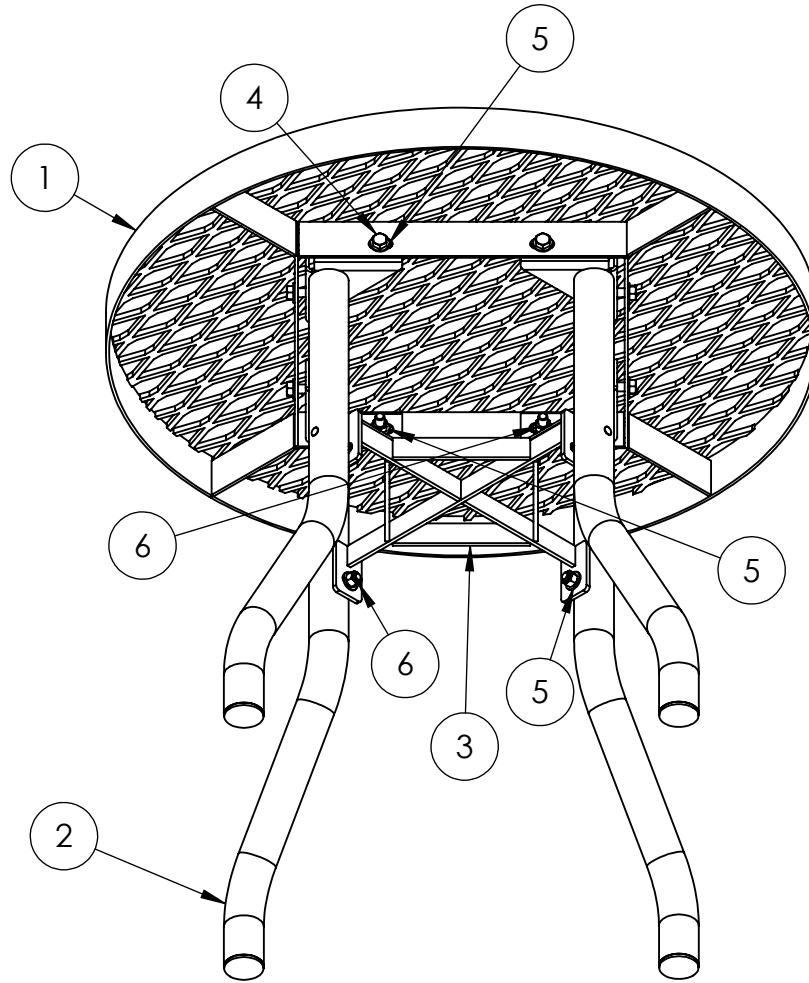


PREMIER POLYSTEEL

The Best Commercial Outdoor Furniture Available. Period.





1. Assemble the table upside down. Protect the Table top from scratches by placing cardboard between it and the concrete floor.
2. Drill out holes in the Table Top, Legs and Leg Brace using a 7/16" dia. drill bit.
3. Attach the legs to the Table Top with a bolt, 2 washers & locknut. *Do not tighten the bolts and locknuts at this time.*
4. Attach the Leg Brace with flat top towards the Table Top. Use a locknut and washer on each threaded stud. *Do not tighten at this time.*
5. Set table upright on a level surface and tighten all the hardware. *Make sure that the Table Top is level as you tighten the hardware.*

In accordance to California law: WARNING - This product contains a chemical known to the State of California to cause cancer and birth defects or other reproductive harm.
 Periodic check of bolt tightness recommended.

ITEM NO.	PART NUMBER	DESCRIPTION	QTY.
1	642-B30	30" Expanded Table Top	1
2	634-511	Patio Table Leg	4
3	634-542	Leg Brace	1
4	516-058	3/8"x1-1/2" SS Hex Bolt	8
5	516-023	3/8" SS Flat Washer	20
6	516-028	3/8" SS Nylock Nut	12



PREMIER POLYSTEEL

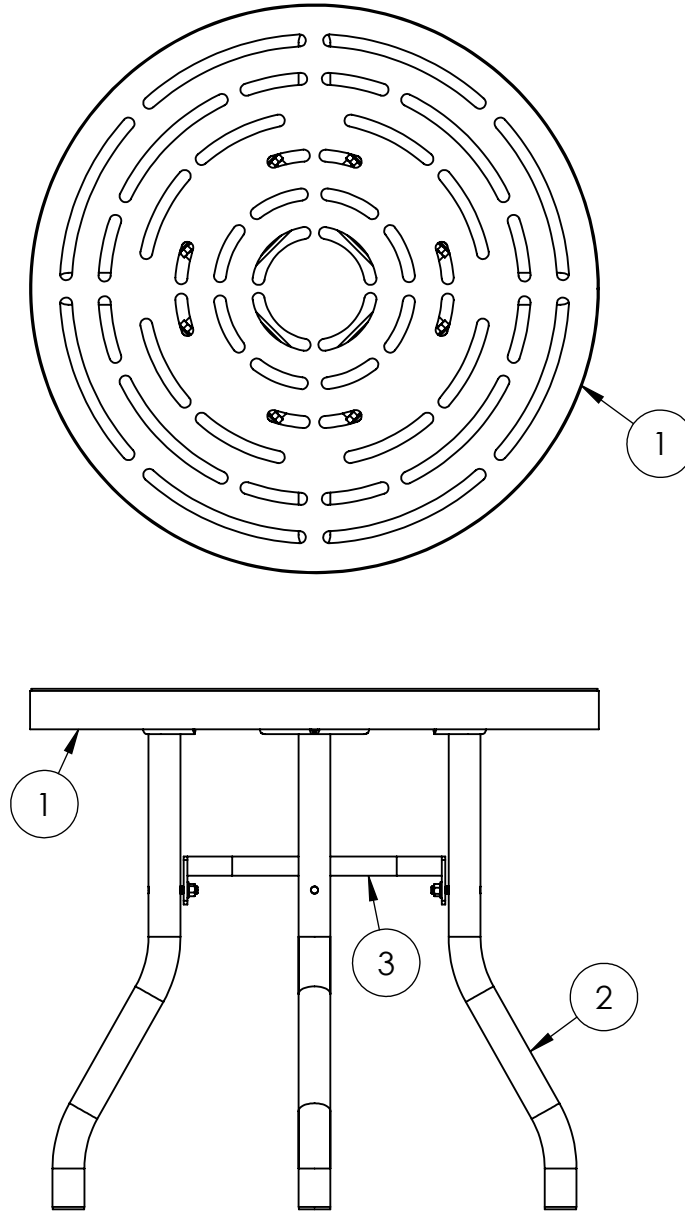
The Best Commercial Outdoor Furniture Available. Period.





30" Laser Patio Table

958-d81



Periodic checking of bolt tightness is recommended.

In accordance to California law: WARNING - This product contains a chemical known to the State of California to cause cancer and birth defects or other reproductive harm.

ITEM NO.	PART NUMBER	DESCRIPTION	QTY.
1	642-B35	30" Round Laser Table Top	1
2	634-511	Patio Table Leg	4
3	634-543	Leg Brace	1
4	516-058	3/8"x1-1/2" SS Hex Bolt	8
5	516-023	3/8" SS Flat Washer	20
6	516-028	3/8" SS Nylock Nut	12



PREMIER POLYSTEEL

The Best Commercial Outdoor Furniture Available. Period.



SIZE
A