

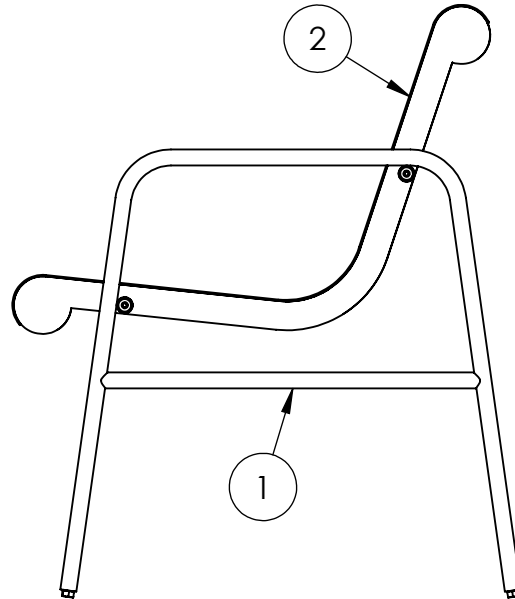
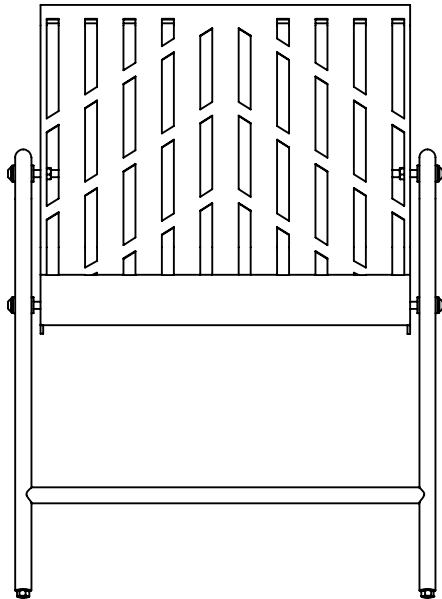


# Free Standing Patio Chair Laser

939-D11

### Tools List

- 7/16" Drill bit
- 9/16" Socket
- 9/16" Wrench
- Level
- Drill



1. Drill plastic out of the mounting holes on the seat and stand using a 7/16" dia. drill bit.
2. Fasten the seat to the stand loosely.
3. Tip the chair upright to position. Tighten the bolts evenly so chair does not lean to one side or the other.

*Periodic check of bolts tightness recommended*

In accordance to California law: WARNING - This product contains a chemical known to the State of California to cause cancer and birth defects or other reproductive harm.

ITEM NO.	PART NUMBER	DESCRIPTION	QTY.
1	639-101	Patio Chair Stand	1
2	625-009	Patio Chair Laser	1
3	516-049	3/8"x2-1/2" SS Btn Skt Cap Scr.	4
4	516-023	3/8" SS Flat Washer	8
5	517-028	3/8" Zinc Nylock Nut	4



## PREMIER POLYSTEEL

The Best Commercial Outdoor Furniture Available. Period.



SIZE  
A

REV. X.01 SHEET 1 OF 1

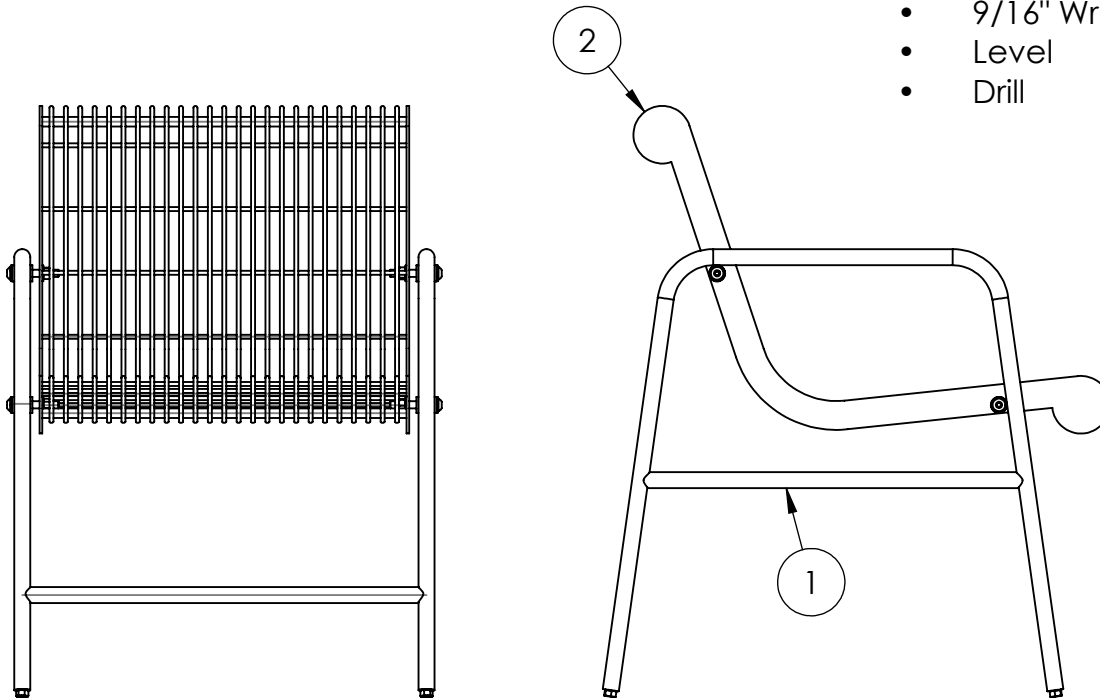


# Free Standing Patio Chair Welded Rod

939-D21

### Tools List

- 7/16" Drill bit
- 9/16" Socket
- 9/16" Wrench
- Level
- Drill



1. Drill plastic out of the mounting holes on the seat and stand using a 7/16" dia. drill bit.
2. Fasten the seat to the stand loosely.
3. Tip the chair upright to position. Tighten the bolts evenly so chair does not lean to one side or the other.

*Periodic check of bolts tightness recommended*

In accordance to California law: WARNING - This product contains a chemical known to the State of California to cause cancer and birth defects or other reproductive harm.

ITEM NO.	PART NUMBER	DESCRIPTION	QTY.
1	639-101	Patio Chair Stand	1
2	623-006	Patio Chair Seat Welded Rod	1
3	516-049	3/8"x2-1/2" SS Btn Skt Cap Scr.	4
4	516-023	3/8" SS Flat Washer	8
5	517-028	3/8" Zinc Nylock Nut	4



## PREMIER POLYSTEEL

The Best Commercial Outdoor Furniture Available. Period.



SIZE  
A

REV. X.01 | SHEET 1 OF 1

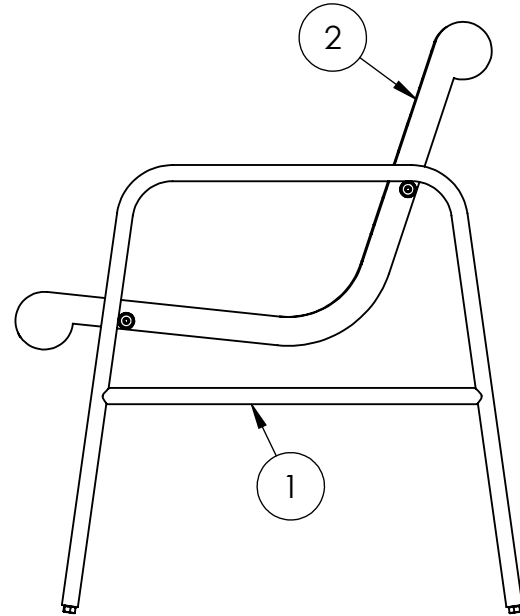
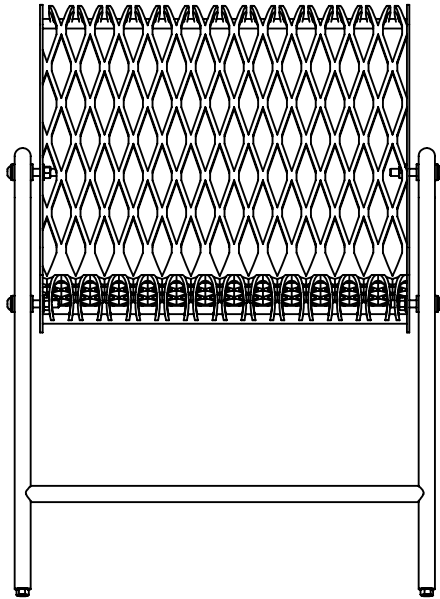


# Free Standing Patio Chair Expanded Metal

939-D31

### Tools List

- 7/16" Drill bit
- 9/16" Socket
- 9/16" Wrench
- Level
- Drill



1. Drill plastic out of the mounting holes on the seat and stand using a 7/16" dia. drill bit.
2. Fasten the seat to the stand loosely.
3. Tip the chair upright to position. Tighten the bolts evenly so chair does not lean to one side or the other.

*Periodic check of bolts tightness recommended*

In accordance to California law: WARNING - This product contains a chemical known to the State of California to cause cancer and birth defects or other reproductive harm.

ITEM NO.	PART NUMBER	DESCRIPTION	QTY.
1	639-101	Patio Chair Stand	1
2	623-007	Patio Chair Expanded Metal	1
3	516-049	3/8"x2-1/2" SS Btn Skt Cap Scr.	4
4	516-023	3/8" SS Flat Washer	8
5	517-028	3/8" Zinc Nylock Nut	4



## PREMIER POLYSTEEL

The Best Commercial Outdoor Furniture Available. Period.



SIZE  
A

REV. X.01 SHEET 1 OF 1