

ITEM NO.	PART NUMBER	DESCRIPTION	QTY.
1	642-E13	OVAL TABLE	1
2	632-200	TWO PEDESTAL DIRECT BURY	2
3	622-E13	6' Champion Oval Seat	2
4	516-058	3/8"x1-1/2" SS Hex Bolt	12
5	516-023	3/8" SS Flat Washer	24
6	516-028	3/8" SS Nylock Nut	12



PREMIER POLYSTEEL

The Best Commercial Outdoor Furniture Available. Period.



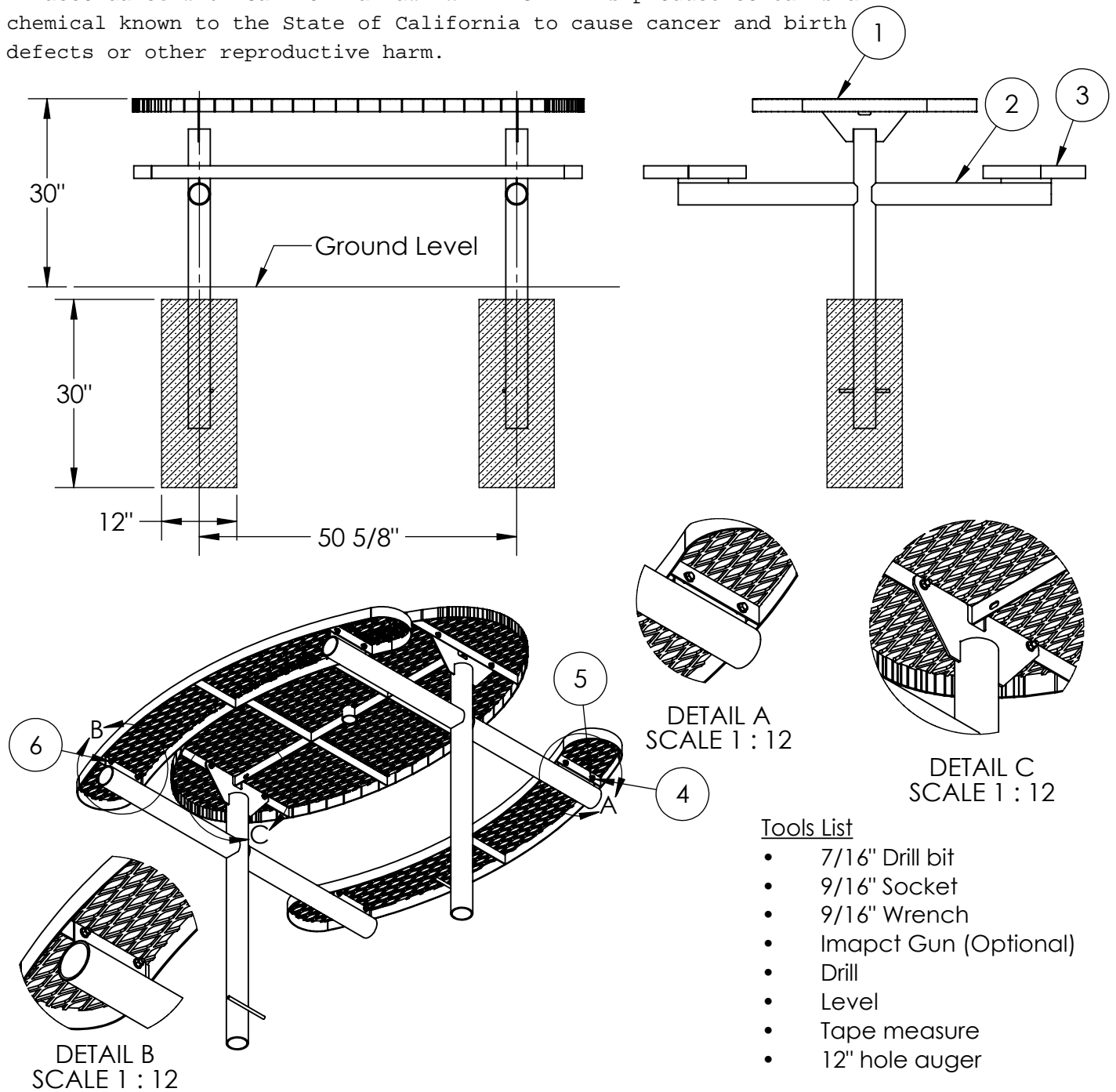
SIZE
A



6' Oval Double Pedestal Direct Bury Expanded Table

956-302

In accordance with California law: WARNING - This product contains a chemical known to the State of California to cause cancer and birth defects or other reproductive harm.



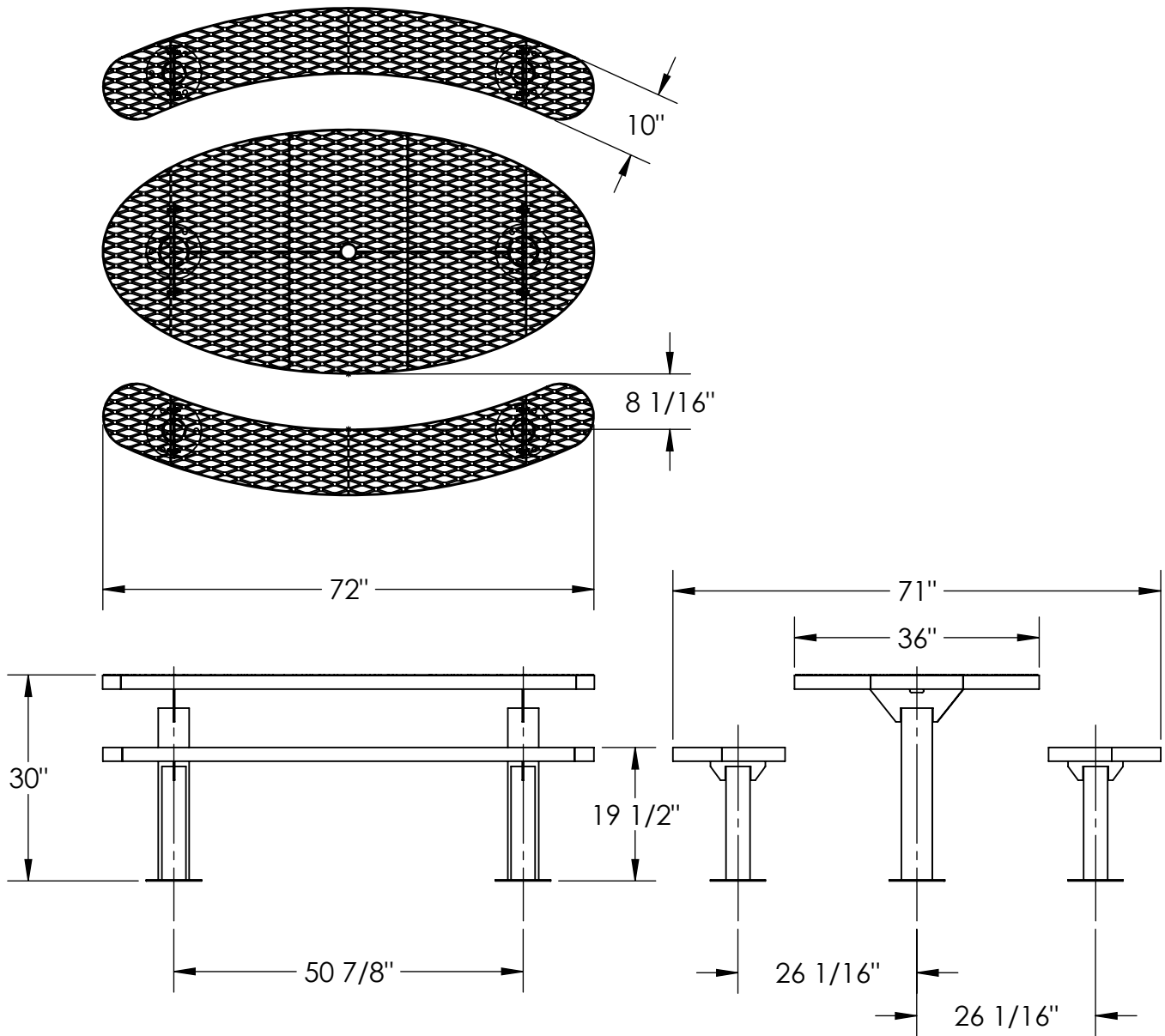
1. Drill 2 holes in the ground per the drawing above. The holes need to be 30" deep or below the frost line in your area. Which ever is deeper.
2. Place the pedestals in the holes.
3. Drill plastic out of the mounting holes on the pedestals, top and seats using a 7/16" dia. drill bit.
4. Fasten the table top and seats to the pedestals, support and level table. Check height.
5. When the table is level and secured, fill the holes with concrete to about 2" below ground level.



PREMIER POLYSTEEL

The Best Commercial Outdoor Furniture Available. Period.





1. Drill plastic out of the mounting holes on the pedestals, top and seats using a 7/16" dia. drill bit.
2. Fasten the table top and seats to the pedestals. The pedestals fasten to the inside of the mounting bar on the table top and seats. See diagram on the next page.
3. Position the table and seats and anchor them to the floor.

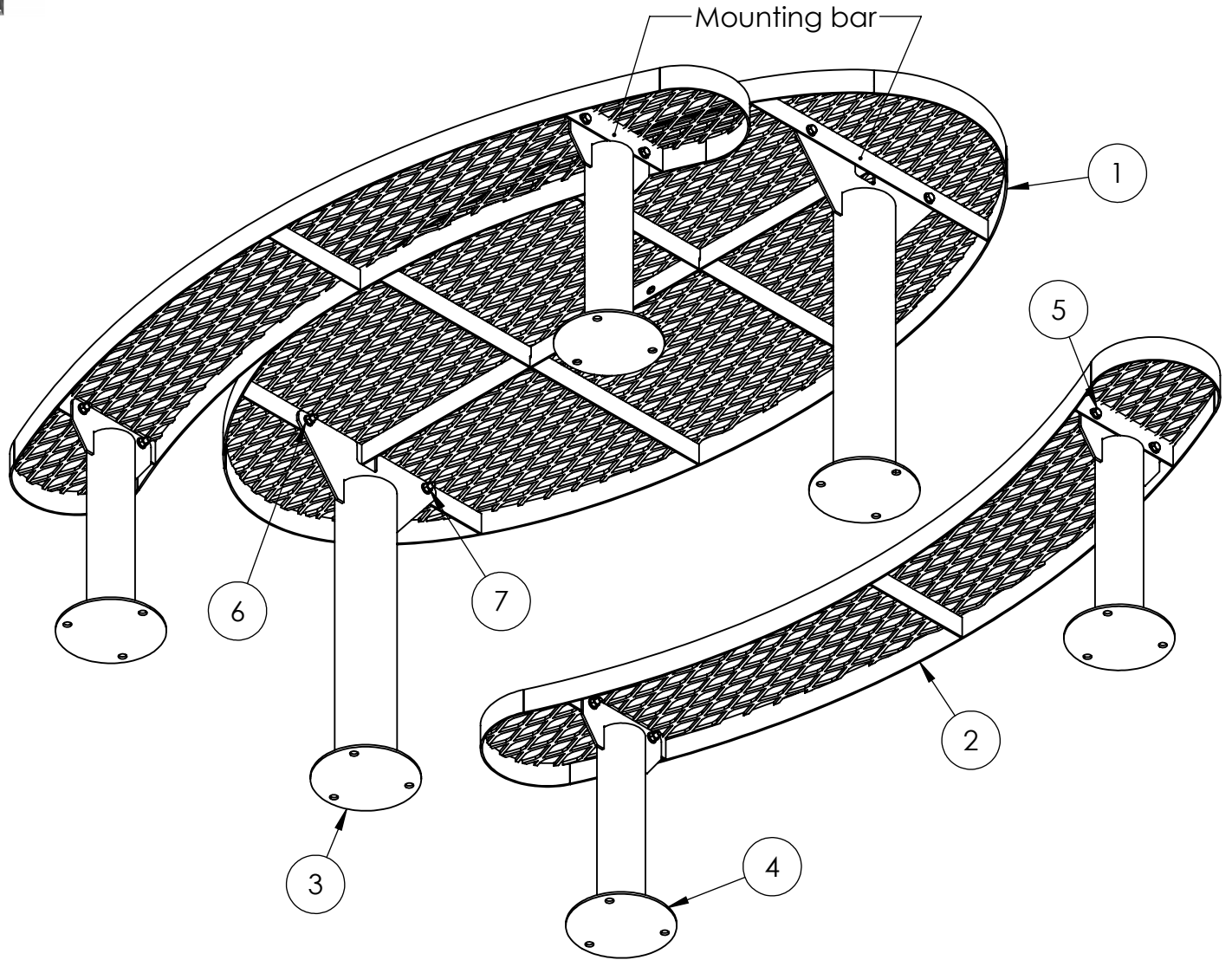
In accordance to California law: WARNING - This product contains a chemical known to the State of California to cause cancer and birth defects or other reproductive harm.



PREMIER POLYSTEEL

The Best Commercial Outdoor Furniture Available. Period.





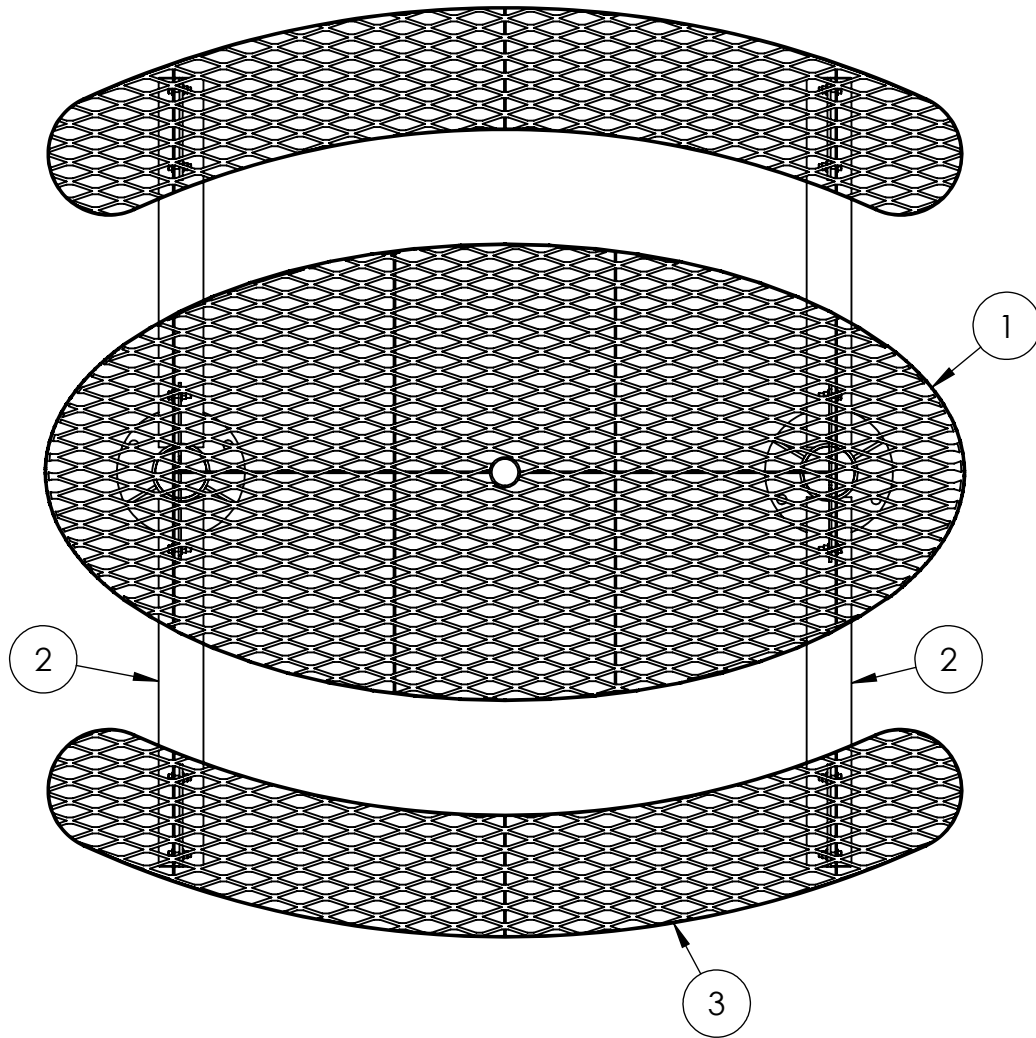
ITEM NO.	PART NUMBER	DESCRIPTION	QTY.
1	642-E13	Oval Table Top	1
2	622-E13	6' Champion Oval Seat	2
3	633-131	Table Mounting Plate 3/16" HR	2
4	633-141	Seat Mounting Plate 3/16" HR	4
5	516-058	3/8"x1-1/2" SS Hex Bolt	12
6	516-023	3/8" SS Flat Washer	24
7	516-028	3/8" SS Nylock Nut	12



PREMIER POLYSTEEL

The Best Commercial Outdoor Furniture Available. Period.





ITEM NO.	PART NUMBER	DESCRIPTION	QTY.
1	642-E13	OVAL TABLE	1
2	632-300	TWO PEDESTAL SURFACE MOUNT STAND	2
3	622-E13	6' Champion Oval Seat	2
4	516-058	3/8"x1-1/2" SS Hex Bolt	12
5	516-023	3/8" SS Flat Washer	24
6	517-028	3/8" Zinc Nylock Nut	12

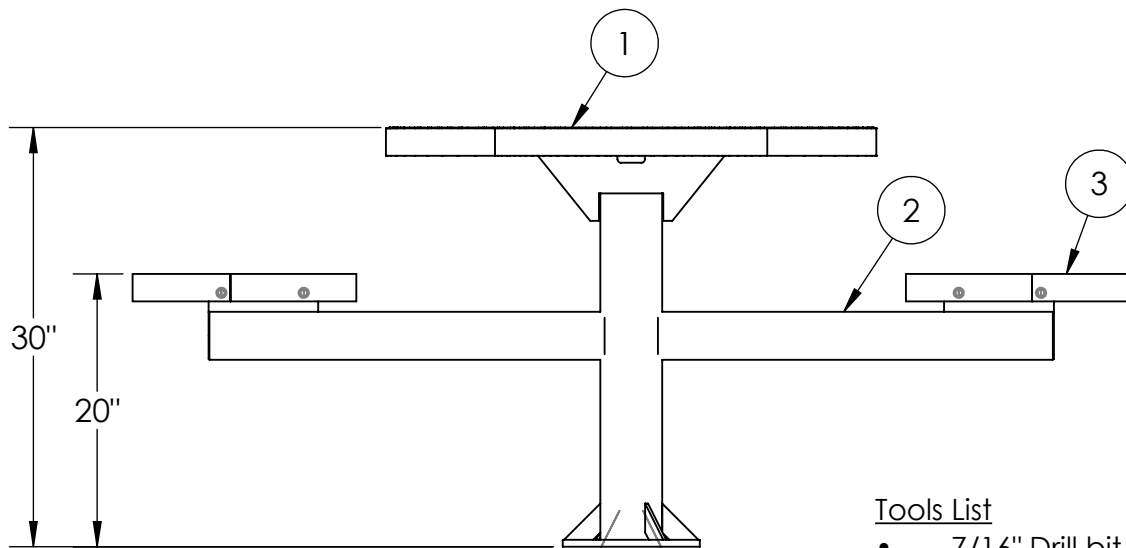
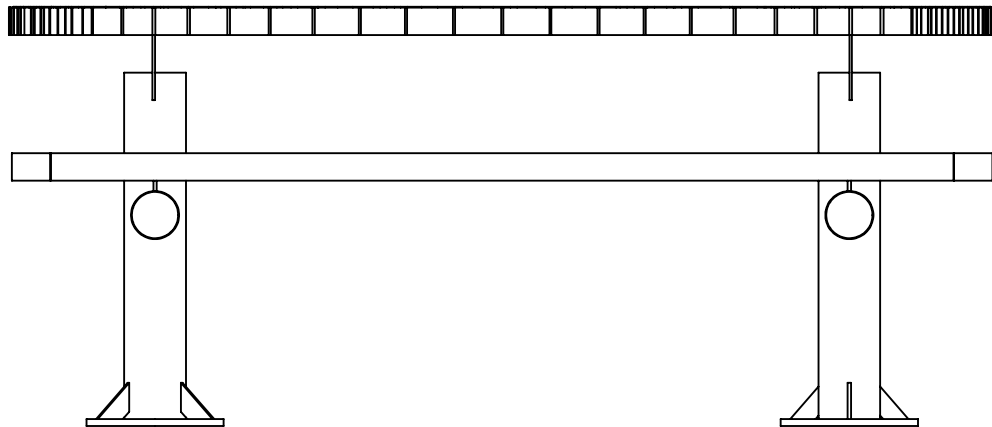


PREMIER POLYSTEEL

The Best Commercial Outdoor Furniture Available. Period.



SIZE
A



Tools List

- 7/16" Drill bit
- 9/16" Socket
- 9/16" Wrench
- Impact Gun (Optional)
- Drill

1. Drill plastic out of the mounting holes on the stands, seats and table top using a 7/16" diameter drill bit.
2. Attach the seats and table top to the support brackets with fixings provided and tighten up.
3. Stand the table in its final location and mark out base holes.
4. Move the table to a safe place and drill holes.
5. Place the table back, level and secure down using appropriate fixings for the ground material.

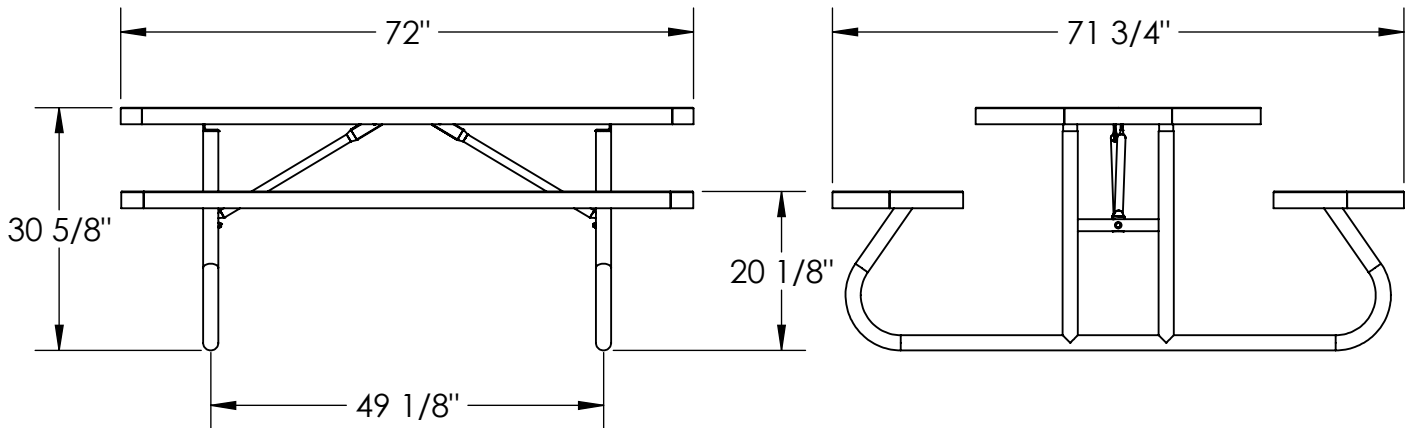
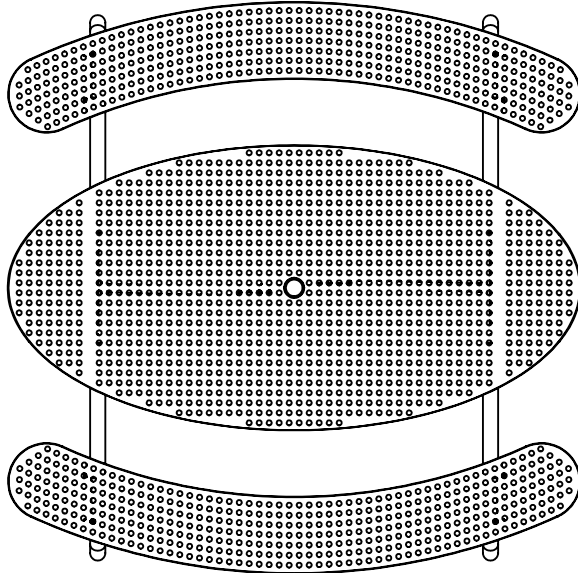
In accordance to California law: WARNING - This product contains a chemical known to the State of California to cause cancer and birth defects or other reproductive harm.



PREMIER POLYSTEEL

The Best Commercial Outdoor Furniture Available. Period.

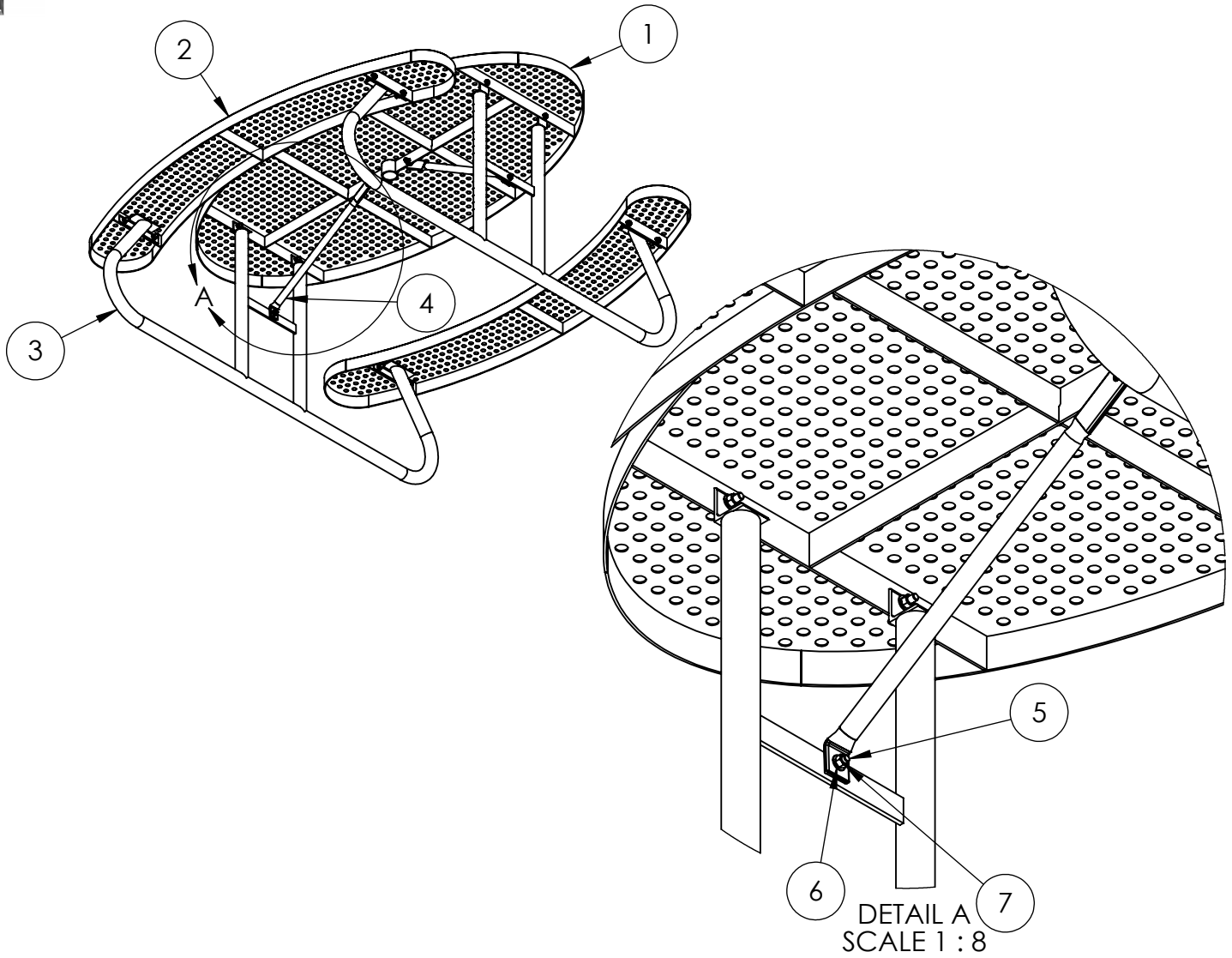




PREMIER POLYSTEEL

The Best Commercial Outdoor Furniture Available. Period.





1. Drill out holes using a 7/16" drill bit.
2. Attach both stands to the inside of table support bar. (See detail above)
3. Attach the seats to the stands.
4. Attach the straight end of each brace to the table. (See detail above)
5. Attach bent end of both braces to the cross bar of each stand. (See detail above)

In accordance to California law: WARNING - This product contains a chemical known to the State of California to cause cancer and birth defects or other reproductive harm.

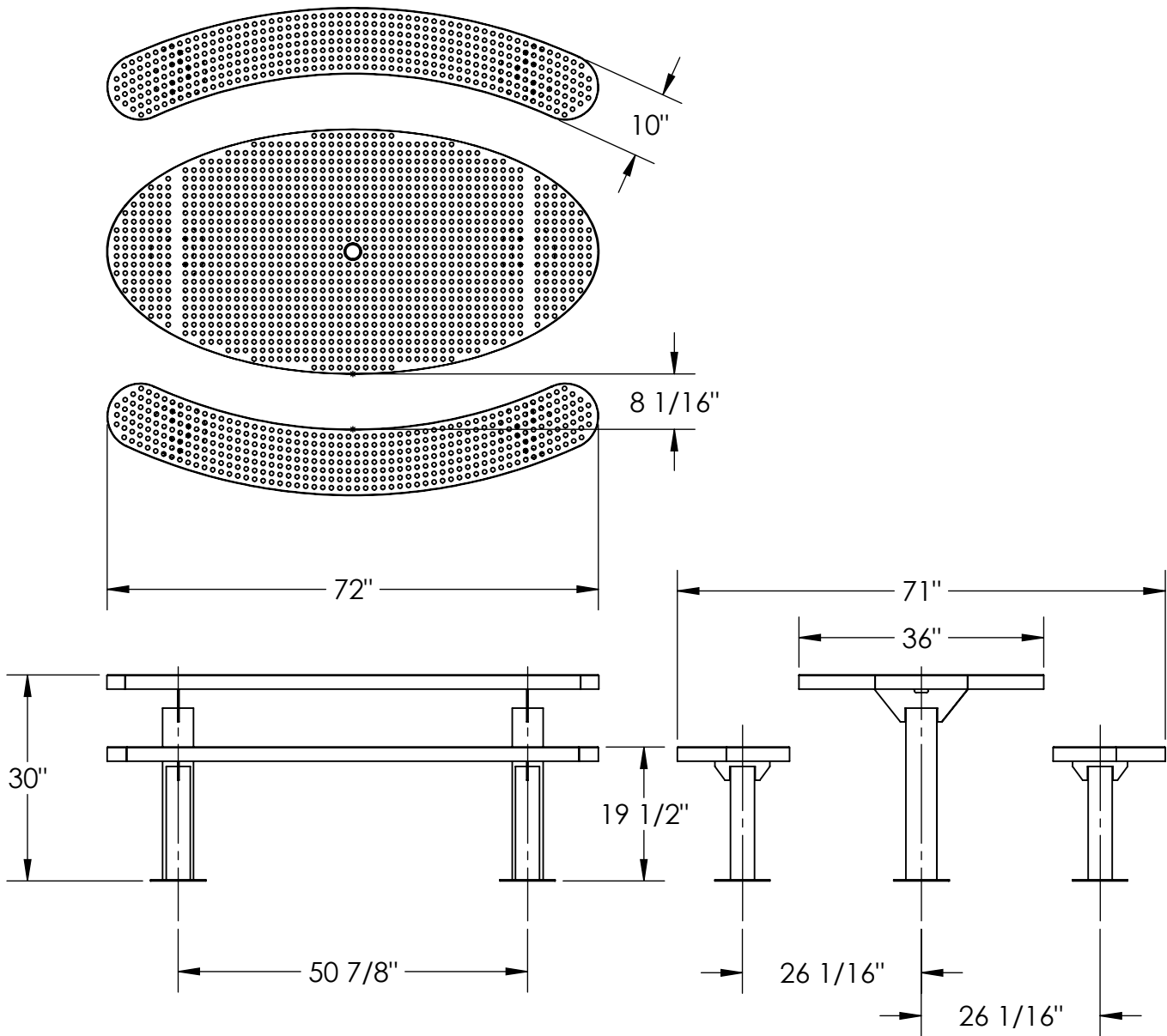
ITEM NO.	PART NUMBER	DESCRIPTION	QTY.
1	642-EP3	Oval Table Top	1
2	622-EP3	6' Champion Oval Seat	2
3	634-010	FS Table Stand (10" Seats)	2
4	634-013A	Table Brace W/Umbrella	2
5	516-058	3/8"x1-1/2" SS Hex Bolt	16
6	516-023	3/8" SS Flat Washer	32
7	516-028	3/8" SS Nylock Nut	16



PREMIER POLYSTEEL

The Best Commercial Outdoor Furniture Available. Period.





1. Drill plastic out of the mounting holes on the pedestals, top and seats using a 7/16" dia. drill bit.
2. Fasten the table top and seats to the pedestals. The pedestals fasten to the inside of the mounting bar on the table top and seats. See diagram on the next page.
3. Position the table and seats and anchor them to the floor.

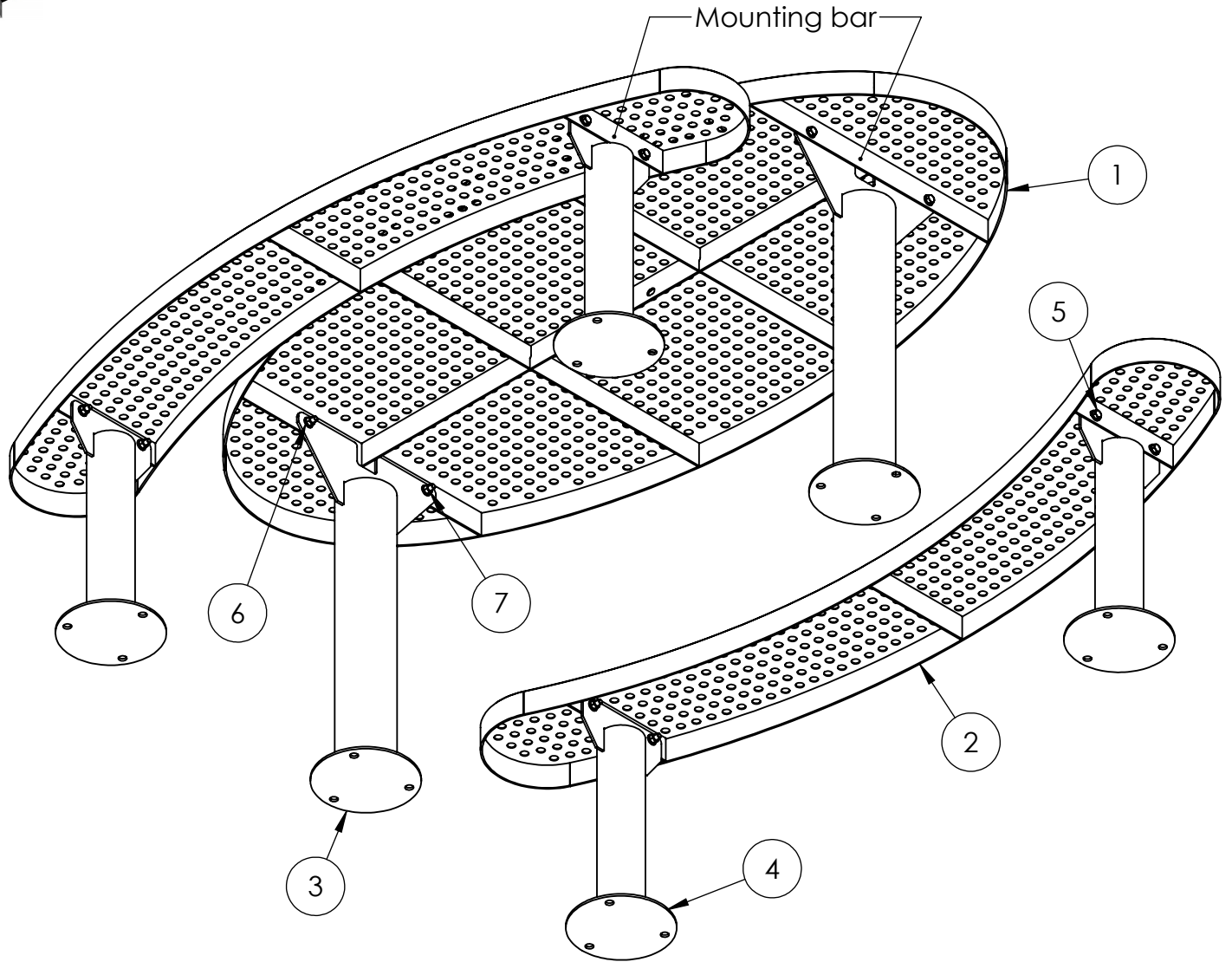
In accordance to California law: WARNING - This product contains a chemical known to the State of California to cause cancer and birth defects or other reproductive harm.



PREMIER POLYSTEEL

The Best Commercial Outdoor Furniture Available. Period.





ITEM NO.	PART NUMBER	DESCRIPTION	QTY.
1	642-EP3	Oval Table Top	1
2	622-EP3	6' Champion Oval Seat	2
3	633-131	Table Mounting Plate 3/16" HR	2
4	633-141	Seat Mounting Plate 3/16" HR	4
5	516-058	3/8"x1-1/2" SS Hex Bolt	12
6	516-023	3/8" SS Flat Washer	24
7	516-028	3/8" SS Nylock Nut	12



PREMIER POLYSTEEL

The Best Commercial Outdoor Furniture Available. Period.

