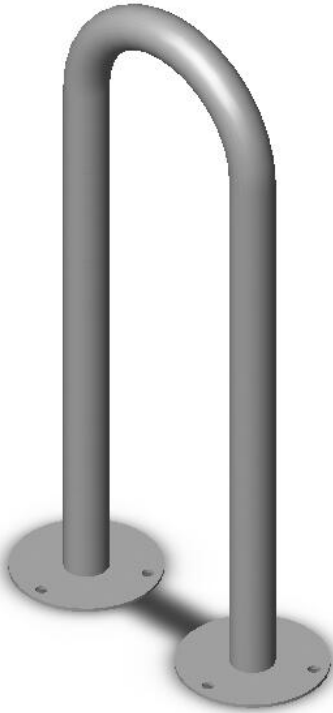




997-502



- 1 Drill plastic out of the mounting holes with a 7/16" dia. drill bit.
- 2 Position bike rack where desired.
- 3 Secure to the surface with the appropriate fasteners.

In Accordance to California law: WARNING This product contains a chemical known to the State of California to cause cancer and birth defects or other reproductive harm.

Periodic check of bolt tightness recommended.



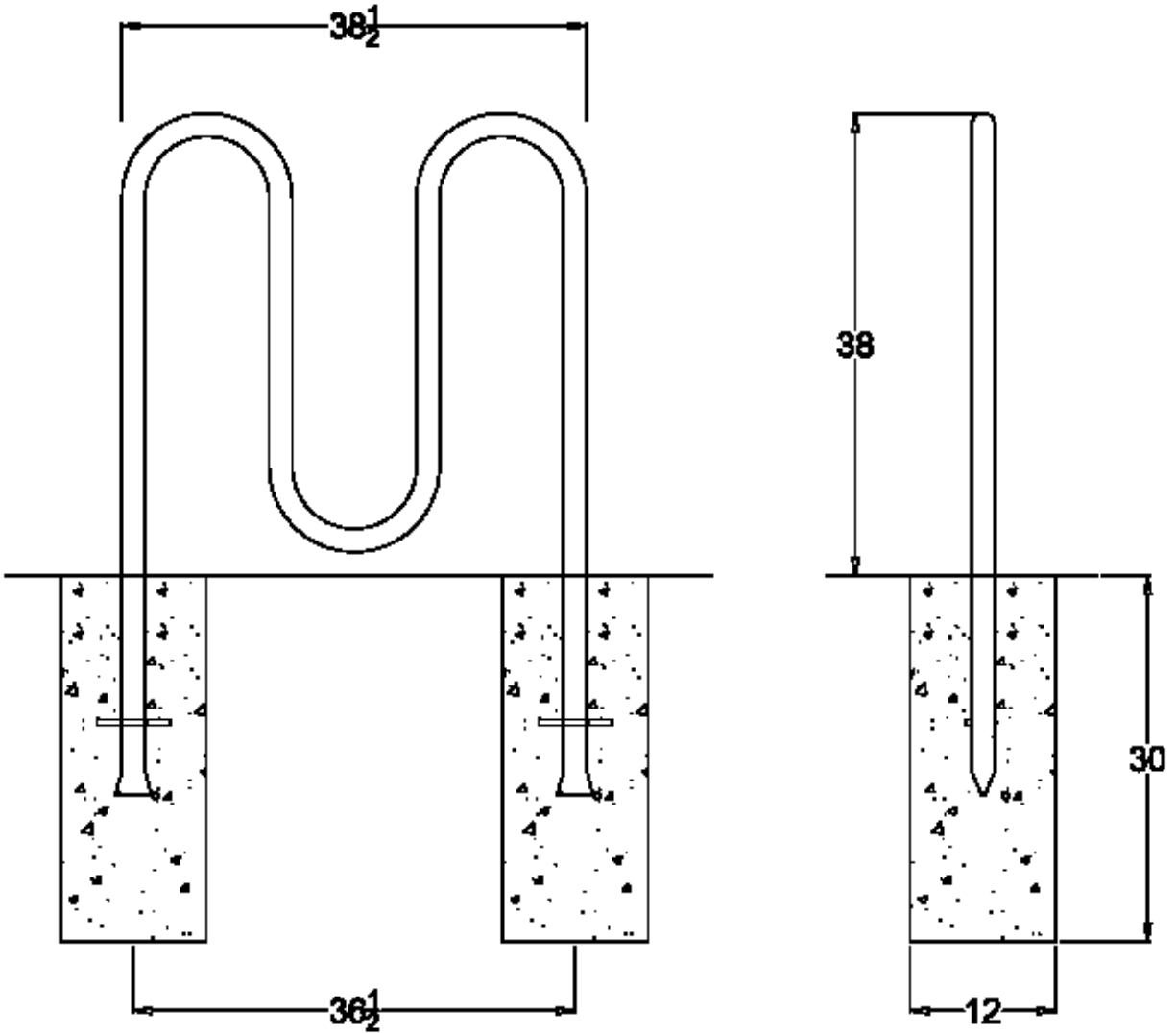
PREMIER POLYSTEEL

The Best Commercial Outdoor Furniture Available. Period.





997-203 Premier 2 Loop Bike Rack



Part No.	Description	Qty.
651-019	2 Loop Bike Rack Direct Bury	1

- 1 Use bike rack to locate ground hole location.
- 2 Drill holes in ground as shown.
- 3 Support the bike rack in the holes and fill the holes with concrete.
- 4 Remove the supports after the concrete has set.

In accordance to California law: WARNING - This product contains a chemical known to the State of California to cause cancer and birth defects or other reproductive harm.



PREMIER POLYSTEEL

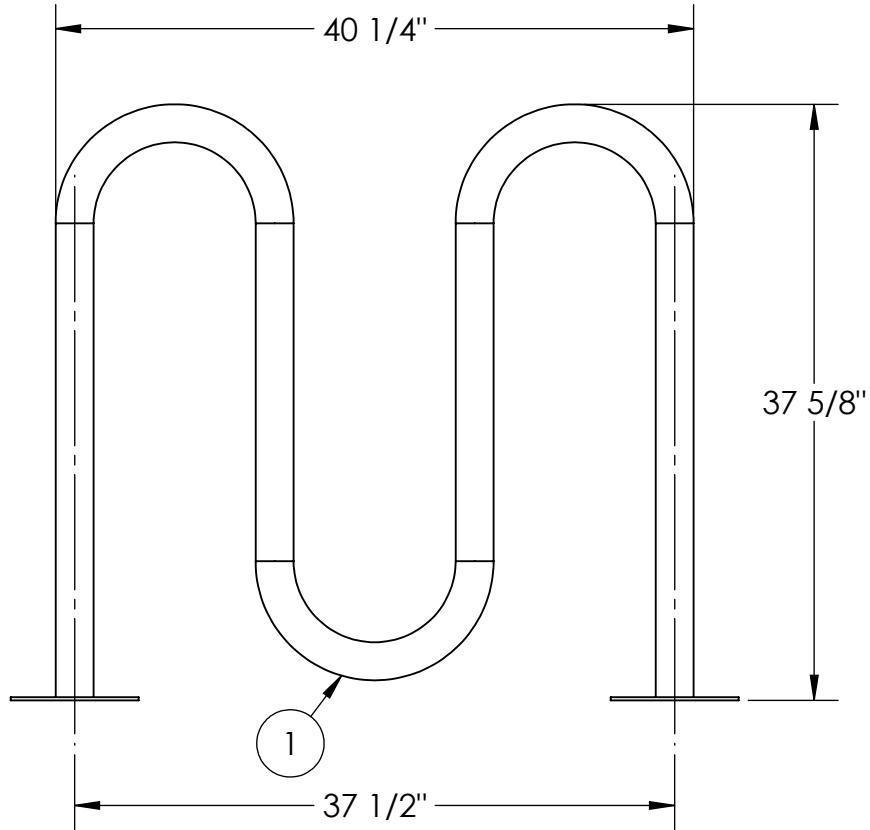
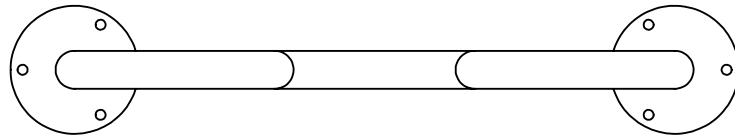
The Best Commercial Outdoor Furniture Available. Period.





2 Loop Bike Rack Surface Mount

997-503



1. Drill plastic out of the mounting holes with a 7/16" dia. drill bit.
2. Position bike rack where desired.
3. Secure to the surface with the appropriate fasteners.

In accordance to California law: WARNING - This product contains a chemical known to the State of California to cause cancer and birth defects or other reproductive harm.

ITEM NO.	PART NUMBER	DESCRIPTION	QTY.
1	651-029	2 Loop Bike Rack Surface Mount	1



PREMIER POLYSTEEL

The Best Commercial Outdoor Furniture Available. Period.

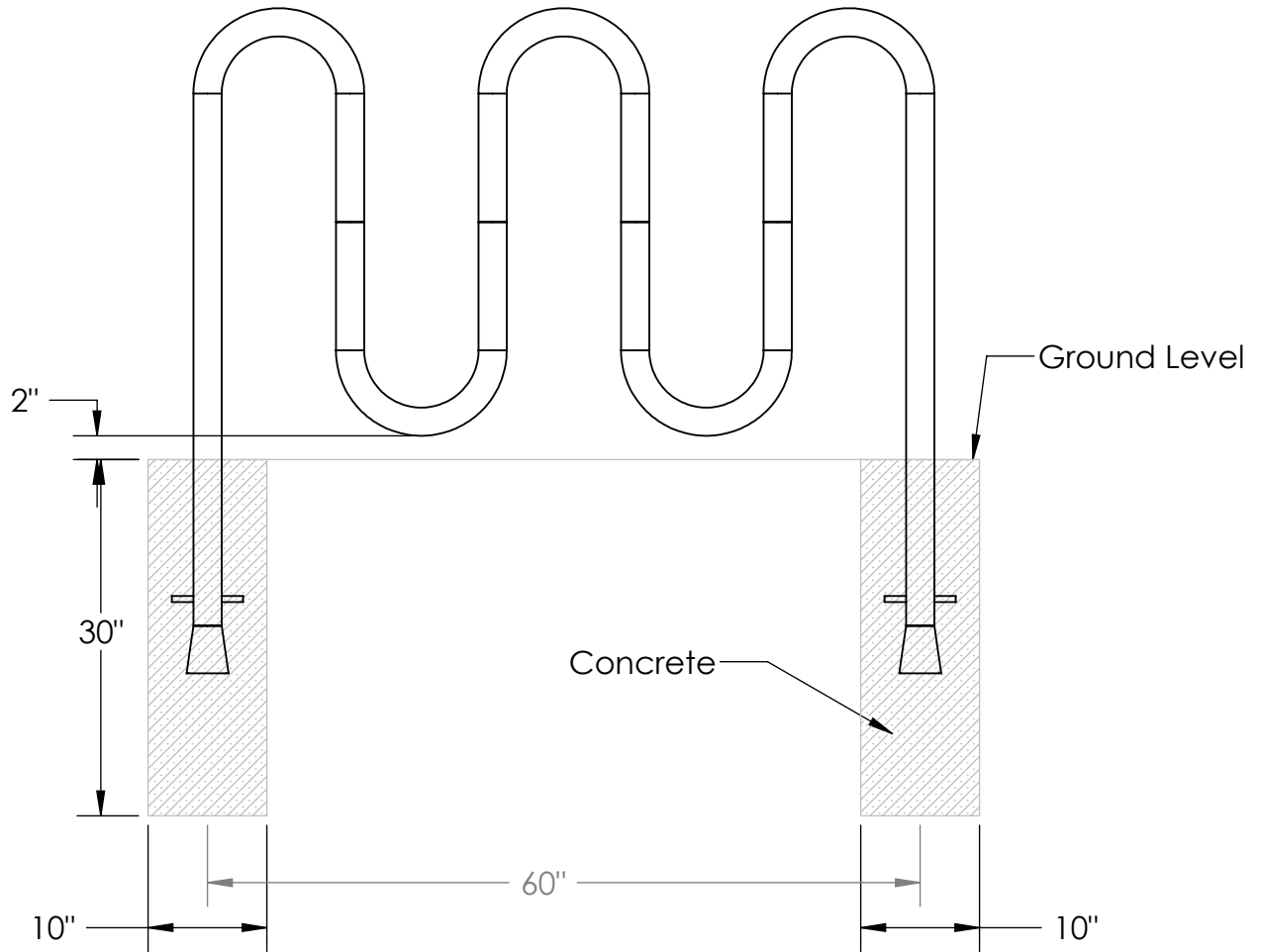


SIZE
A

REV. X.01 SHEET 1 OF 1



997-206



1. Use the bike rack to locate ground hole location. *(The 60" dimension may vary.)*
2. Drill holes in ground as shown.
3. Support the bike rack in the holes and fill the holes with concrete.
4. Remove the supports after the concrete has set.

In Accordance to California law: WARNING This product contains a chemical known to the State of California to cause cancer and birth defects or other reproductive harm.



PREMIER POLYSTEEL
The Best Commercial Outdoor Furniture Available. Period.



DIMENSIONS ARE IN INCHES

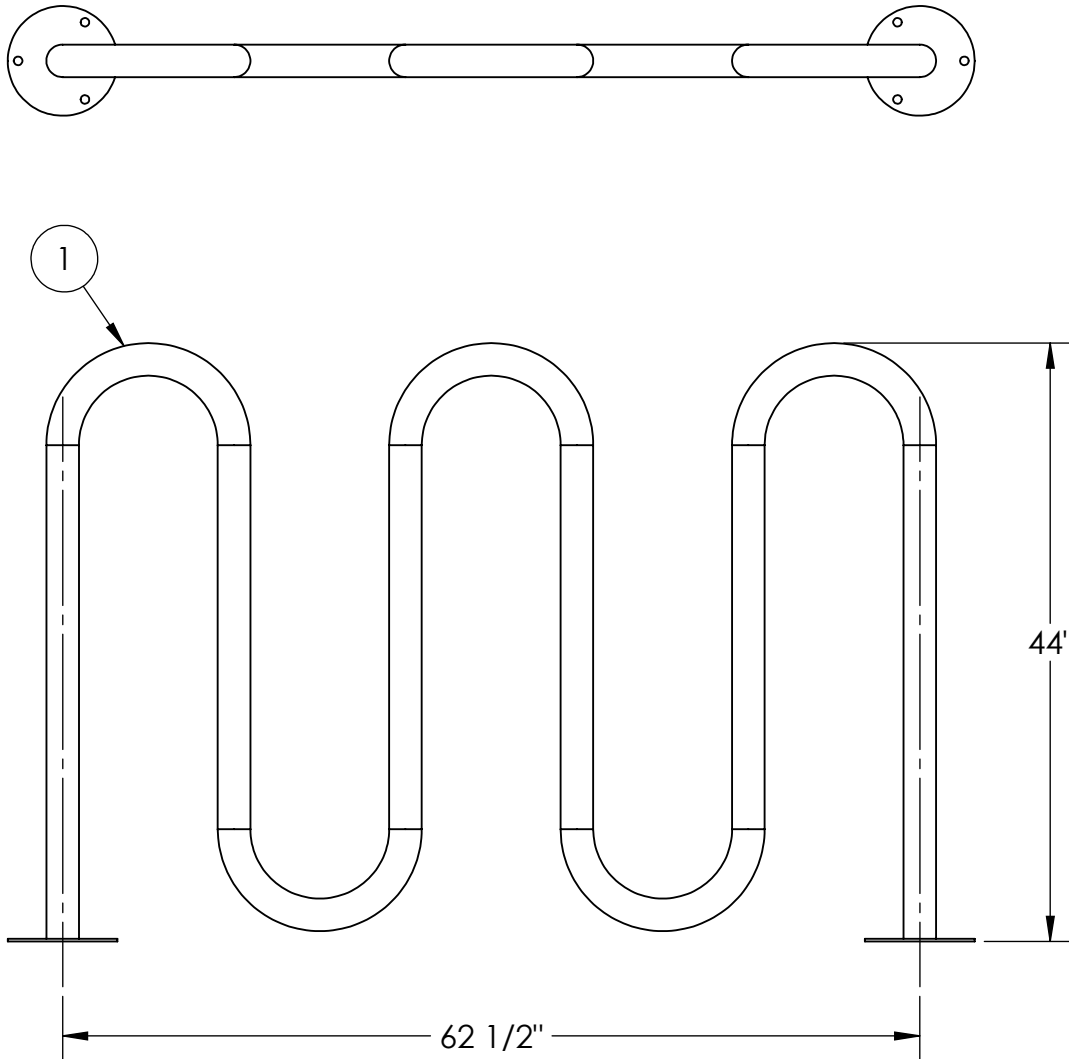
Premier Loop Style Bike Rack 3 Loop, 5' Direct Bury

DRAWN		NAME	DATE	SCALE:1:16	WEIGHT: 84.84	SIZE	DWG. NO.	REV.
Kevin		4/12/2010				A	997-206	A
						SHEET 1 OF 1		



3 Loop Bike Rack Surface Mount

997-506



1. Drill plastic out of the mounting holes with a 7/16" dia. drill bit.
2. Position bike rack where desired.
3. Secure to the surface with the appropriate fasteners.

In Accordance to California law: WARNING This product contains a chemical known to the State of California to cause cancer and birth defects or other reproductive harm.

Item	Part No.	Description	Qty.
1	651-030	3 Loop Bike Rack SM	1



PREMIER POLYSTEEL

The Best Commercial Outdoor Furniture Available. Period.

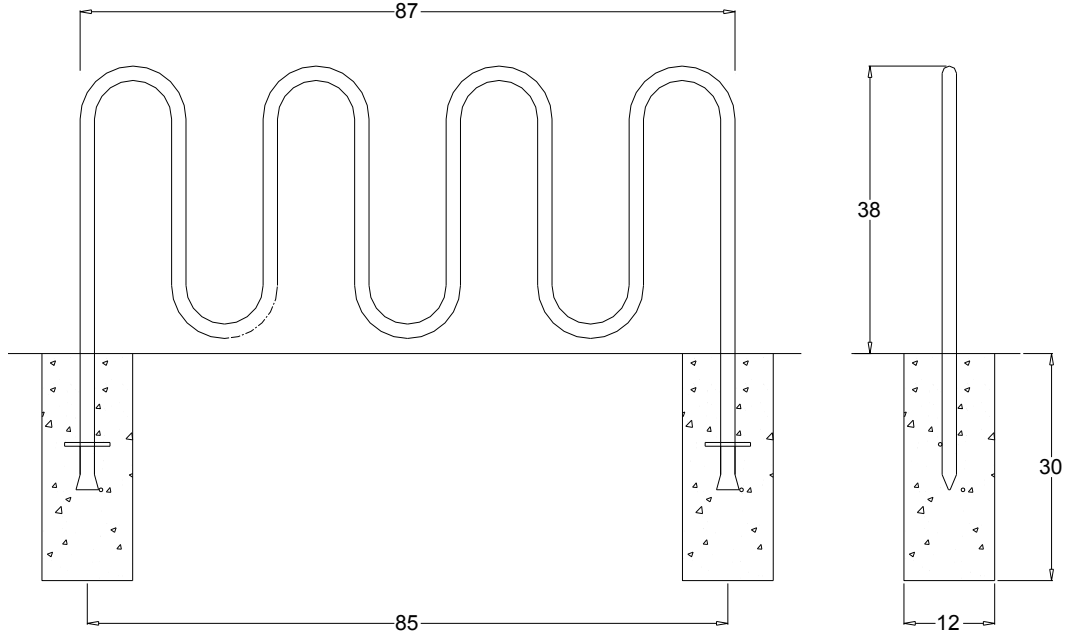


SIZE
A



997-207

**997-207 BIKE RACK
4 LOOP DIRECT BURY**



Part No.	Description	Qty.
651-021	4 Loop Bike Rack Direct Bury	1

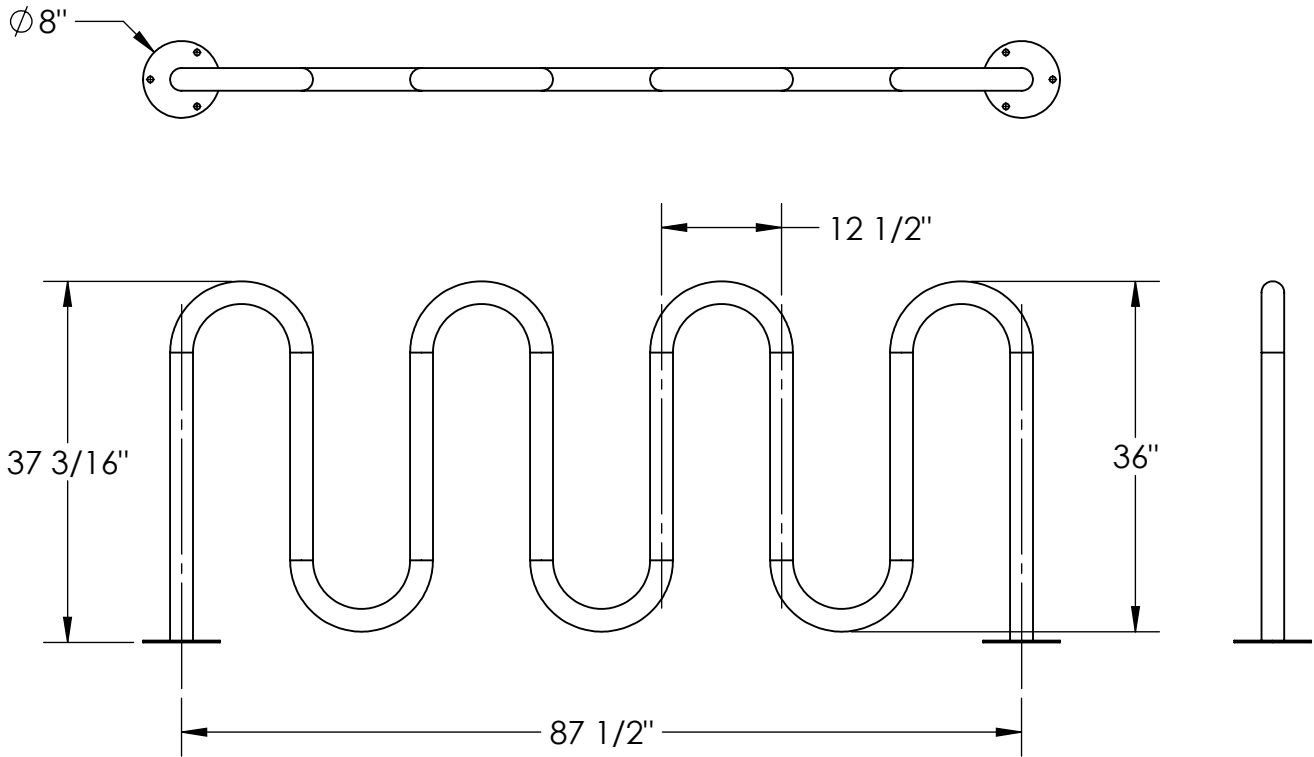
- 1 Use bike rack to locate ground hole location. *(The 85" dimension may vary.)*
- 2 Drill holes in ground as shown.
- 3 Support the bike rack in the holes and fill the holes with concrete.
- 4 Remove the supports after the concrete has set.

In Accordance to California law: WARNING This product contains a chemical known to the State of California to cause cancer and birth defects or other reproductive harm.



PREMIER POLYSTEEL
The Best Commercial Outdoor Furniture Available. Period.





1. Drill plastic out of the mounting holes with a 7/16" dia. drill bit.
2. Position bike rack where desired.
3. Secure to the surface with the appropriate fasteners.

In Accordance to California law: WARNING This product contains a chemical known to the State of California to cause cancer and birth defects or other reproductive harm.



PREMIER POLYSTEEL

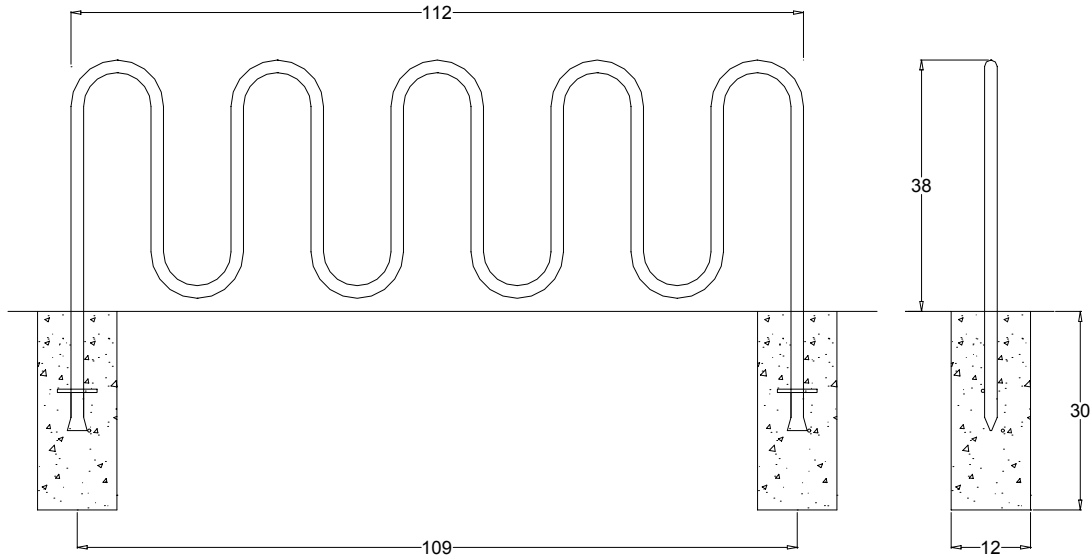
The Best Commercial Outdoor Furniture Available. Period.





997-210

**997-210 BIKE RACK
5 LOOP DIRECT BURY**



Part No.	Description	Qty.
651-022	5 Loop Bike Rack Direct Bury	1

- 1 Use bike rack to locate ground hole location. *(The 109" dimension may vary.)*
- 2 Drill holes in ground as shown.
- 3 Support the bike rack in the holes and fill the holes with concrete.
- 4 Remove the supports after the concrete has set.

In Accordance to California law: WARNING This product contains a chemical known to the State of California to cause cancer and birth defects or other reproductive harm.



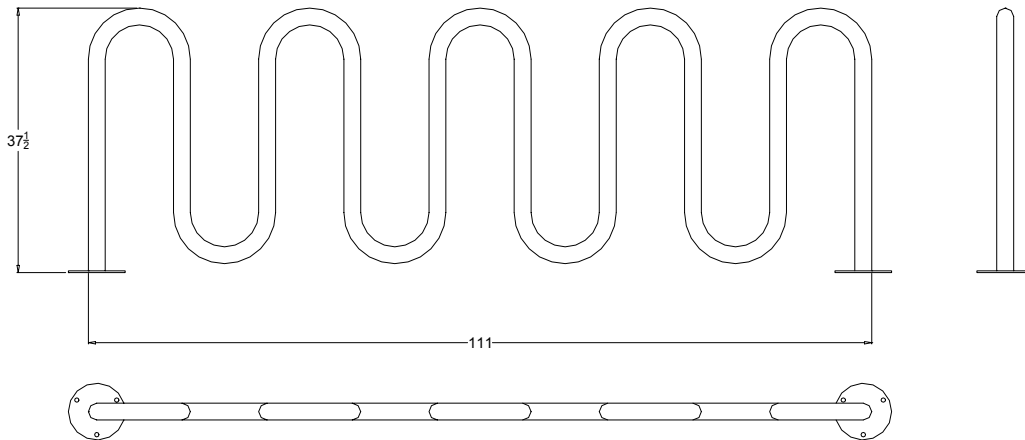
PREMIER POLYSTEEL

The Best Commercial Outdoor Furniture Available. Period.





997-510



- 1 Drill plastic out of the mounting holes with a 7/16" dia. drill bit.
- 2 Position bike rack where desired.
- 3 Secure to the surface with the appropriate fasteners.

In Accordance to California law: WARNING This product contains a chemical known to the State of California to cause cancer and birth defects or other reproductive harm.

Periodic check of bolt tightness recommended.



PREMIER POLYSTEEL

The Best Commercial Outdoor Furniture Available. Period.

