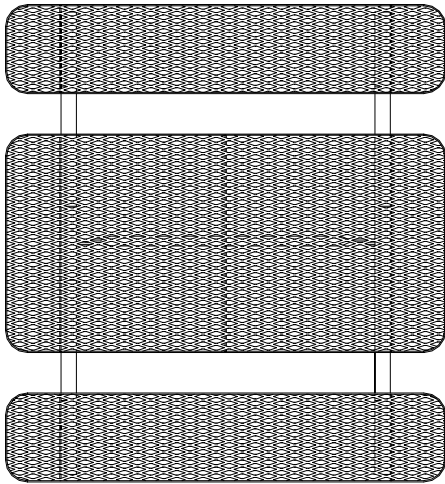
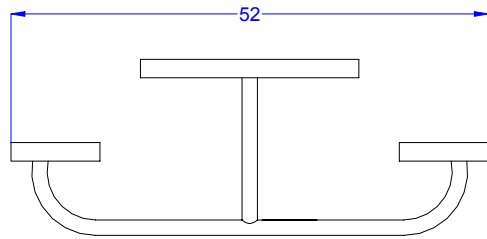
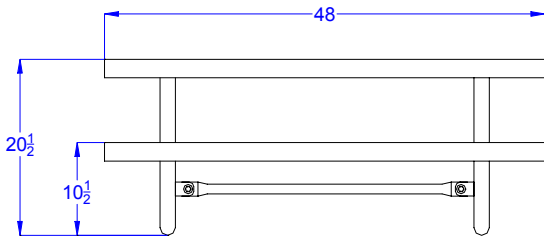




941-101



941-101 4FT CHAMPION
FREE STANDING
KIDS TABLE



Part No.	Description	Qty.
642-211	4' Kids Table Top	1
622-011	4' Kids Seat	2
634-210	Kids Table Stand	2
634-211	Kids Table Brace	1
516-058	3/8" x 1-1/2" SS Hex Bolt	14
516-028	3/8" SS Nylock Nut	14
516-023	3/8" SS Washer	28

Assembly Instructions

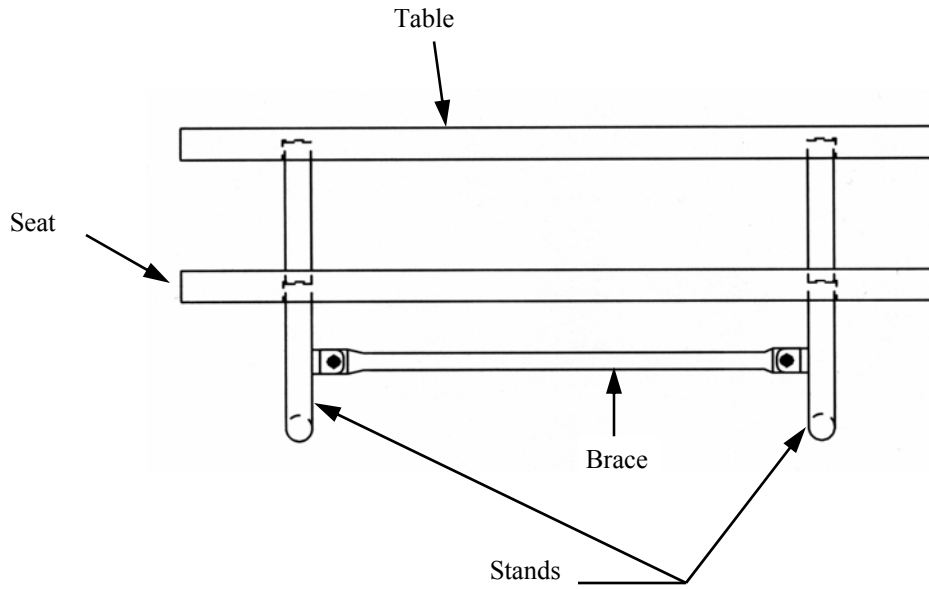
- 1 Drill plastic out of the mounting holes on the stands, top, seats and brace using a 7/16" dia. drill bit.
- 2 Fasten the top & seats to the stands loosely and then fasten the brace to the stands.
- 3 Tighten all of the bolts.

In Accordance to California law: WARNING This product contains a chemical known to the State of California to cause cancer and birth defects or other reproductive harm.

Periodic check of bolt tightness recommended.



941-301



Part No.	Description	Qty.
642-213	6' Kids Table Top	1
622-013	6' Kids Seat	2
634-210	Kids Table Stand	2
634-213	Kids Table Brace 47-1/2"	1
516-053	3/8" x 1-1/4" SS Hex Bolt	14
516-028	3/8" SS Nylock Nut	14
516-023	3/8" SS Washer	28

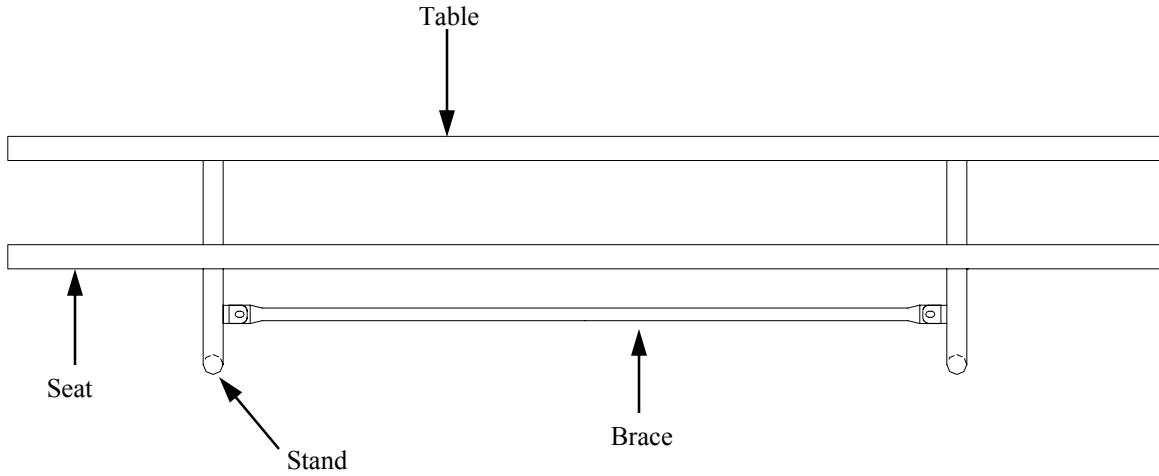
- 1 Drill plastic out of the mounting holes on the stands, top, seats and brace using a 7/16" dia. drill bit.
- 2 Fasten the top & seats to the stands loosely and then fasten the brace to the stands.
- 3 Tighten all of the bolts.

In Accordance to California law: WARNING This product contains a chemical known to the State of California to cause cancer and birth defects or other reproductive harm.

Periodic check of bolt tightness recommended.



941-501



Part No.	Description	Qty.
642-215	8' Kids Table Top	1
622-015	8' Seat	2
634-210	Kids Table Stand	2
634-215	8' Kids Table Brace	1
516-053	3/8" x 1-1/4" SS Hex Bolt	14
516-028	3/8" SS Nylock Nut	14
516-023	3/8" SS Washer	28

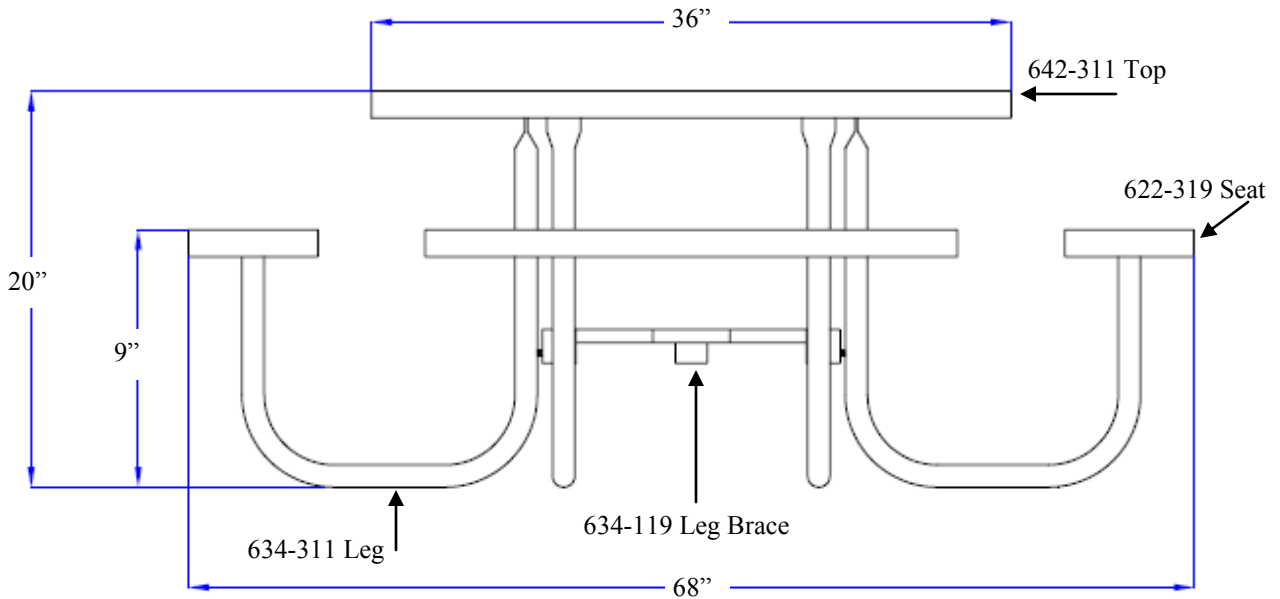
- 1 Drill plastic out of the mounting holes on the stands, top, seats and brace using a 7/16" dia. drill bit.
- 2 Fasten the top & seats to the stands loosely and then fasten the brace to the stands.
- 3 Make sure that the Table Top and Seats are level, then tighten all of the bolts.

In Accordance to California law: WARNING This product contains a chemical known to the State of California to cause cancer and birth defects or other reproductive harm.

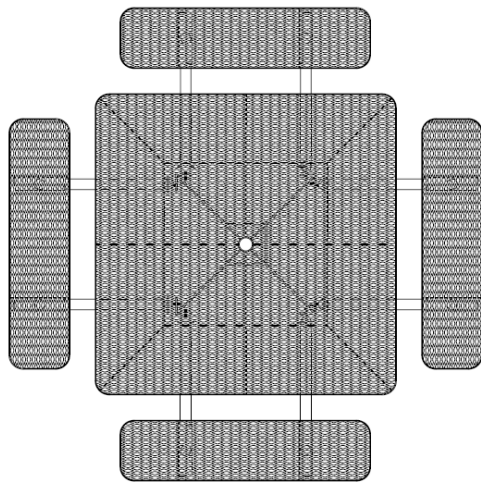
Periodic check of bolt tightness recommended



944-091 Champion Table, Expanded Metal



Part No.	Description	Qty.
642-311	3' Sq. Kids Table Top	1
622-319	30" Table Seat	4
634-119	Leg Brace	1
634-311	3' Sq. Kids Table Leg	8
516-058	3/8" x 1-12/" SS Hex Bolt	24
516-028	3/8" SS Nylock Nut	32
516-023	3/8" SS Flat Washer	56



In Accordance to California law: WARNING This product contains a chemical known to the State of California to cause cancer and birth defects or other reproductive harm.

1. With table top upside down bolt 2 opposing legs on to top.
2. Attach "x" shaped leg brace to the 2 legs.
3. Attach the other 6 legs fastening to the "x" shaped leg brace as you go.
4. Attach seats to other end of leg. The vertical portion of the angle iron leg top bolts flush with the seat support bar.
5. Put the nuts on the bolts fastening legs to the "x" shaped leg brace.