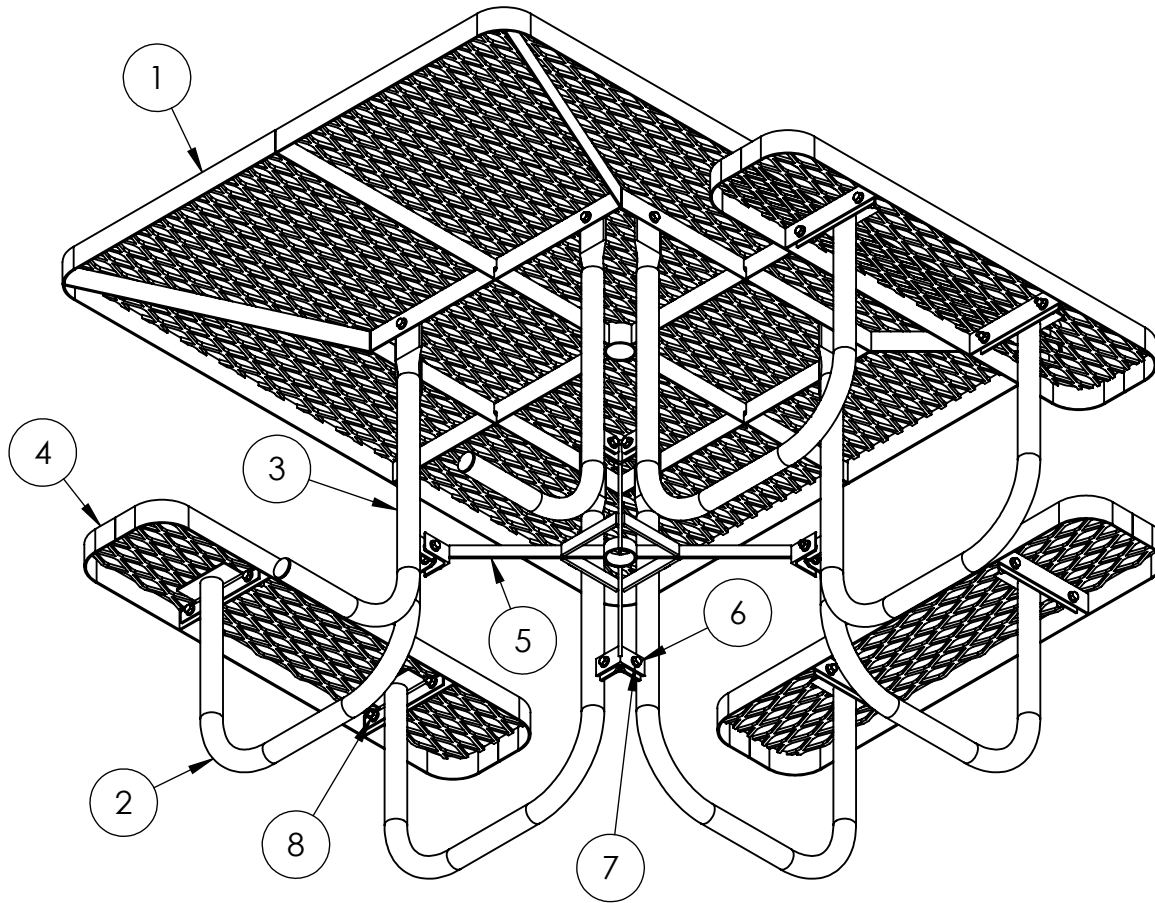


PREMIER POLYSTEEL

The Best Commercial Outdoor Furniture Available. Period.



SIZE
A



In Accordance to California law: WARNING This product contains a chemical known to the State of California to cause cancer and birth defects or other reproductive harm.

1. With table top upside down bolt 2 opposing legs on to top. Do not tighten the bolts now.
2. Attach "x" shaped leg brace to the 2 legs.
3. Attach the other 6 legs fastening to the "x" shaped leg brace as you go.
4. Attach seats to other end of leg. The vertical portion of the angle iron leg top bolts flush with the seat support bar.
5. Flip the table right side up, level the top and seats, and tighten all of the bolts.

ITEM NO.	PART NUMBER	DESCRIPTION	QTY.
1	642-115	4x5 Accessible table Top	1
2	634-111	Sq./Rnd Table Free Standing Leg	6
3	634-112	3 Seat Leg for Sq/Round Table	2
4	622-019	40" Champion Seat	3
5	634-119	Sq./Rnd Table Leg Support Bracket	1
6	516-058	3/8"x1-1/2" SS Hex Bolt	28
7	516-023	3/8" SS Flat Washer	56
8	516-028	3/8" SS Nylock Nut	28



PREMIER POLYSTEEL

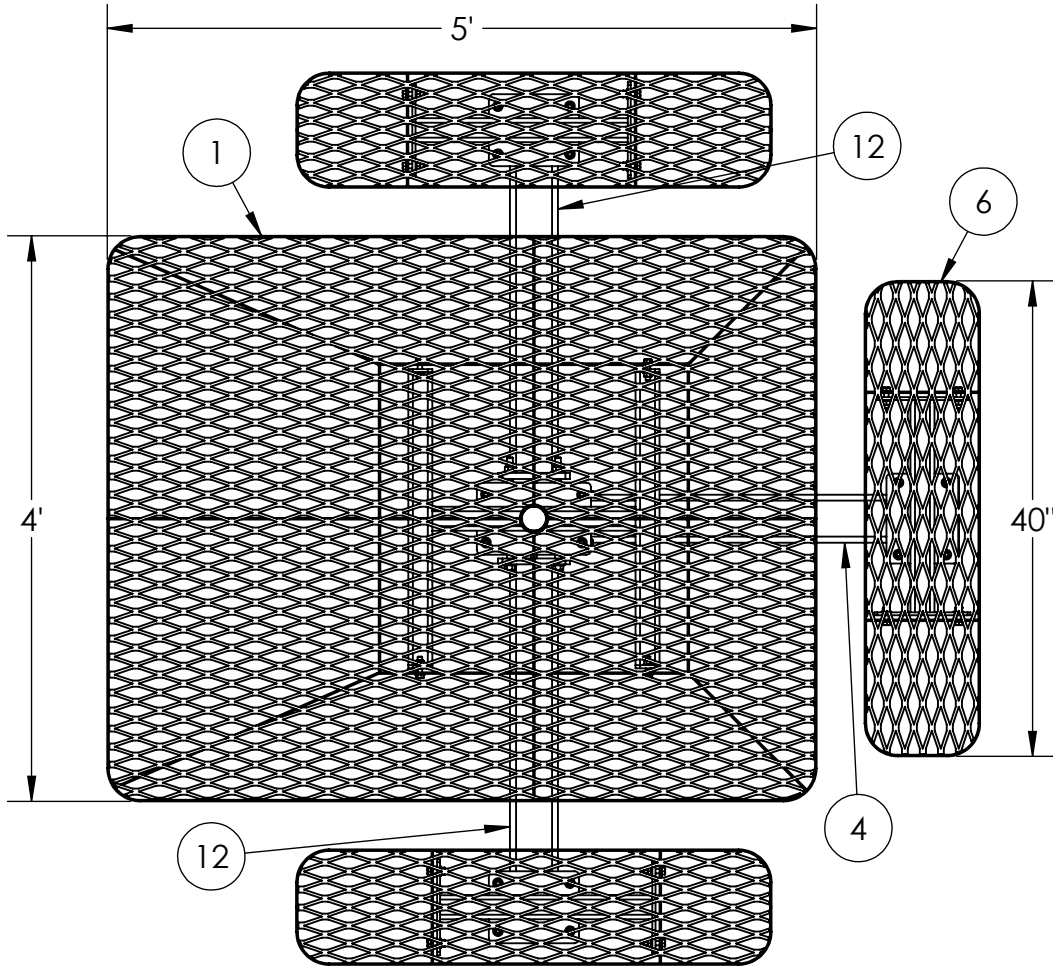
The Best Commercial Outdoor Furniture Available. Period.





4' x 5' Accessible Table Single Pedestal Direct Bury

927-108



ITEM NO.	PART NUMBER	DESCRIPTION	QTY.
1	642-115	4' x 5' Accessible Table Top	1
2	632-102	Table Top Support	1
3	632-101	6" Pedestal DB	1
4	632-105	Seat Arm (1 Ped) Offset Plate	1
5	632-104	Seat support	3
6	622-019	Champion 40" Seat (QS)	3
7	516-058	3/8"x1-1/2" SS Hex Bolt	16
8	516-054	3/8"x2" SS Hex Head Bolt	16
9	516-023	3/8" SS Flat Washer	64
10	516-027	1/2" SS Flat Washer	16
11	516-028	3/8" SS Nylock Nut	32
12	632-103	Seat Arm (1 Ped)	2
13	516-073	1/2" X 8" SS NC Hex Bolt	4
14	516-051	1/2" X 9" SS NC Hex Bolt	4
16	516-036	1/2" SS NyLock Nut	8

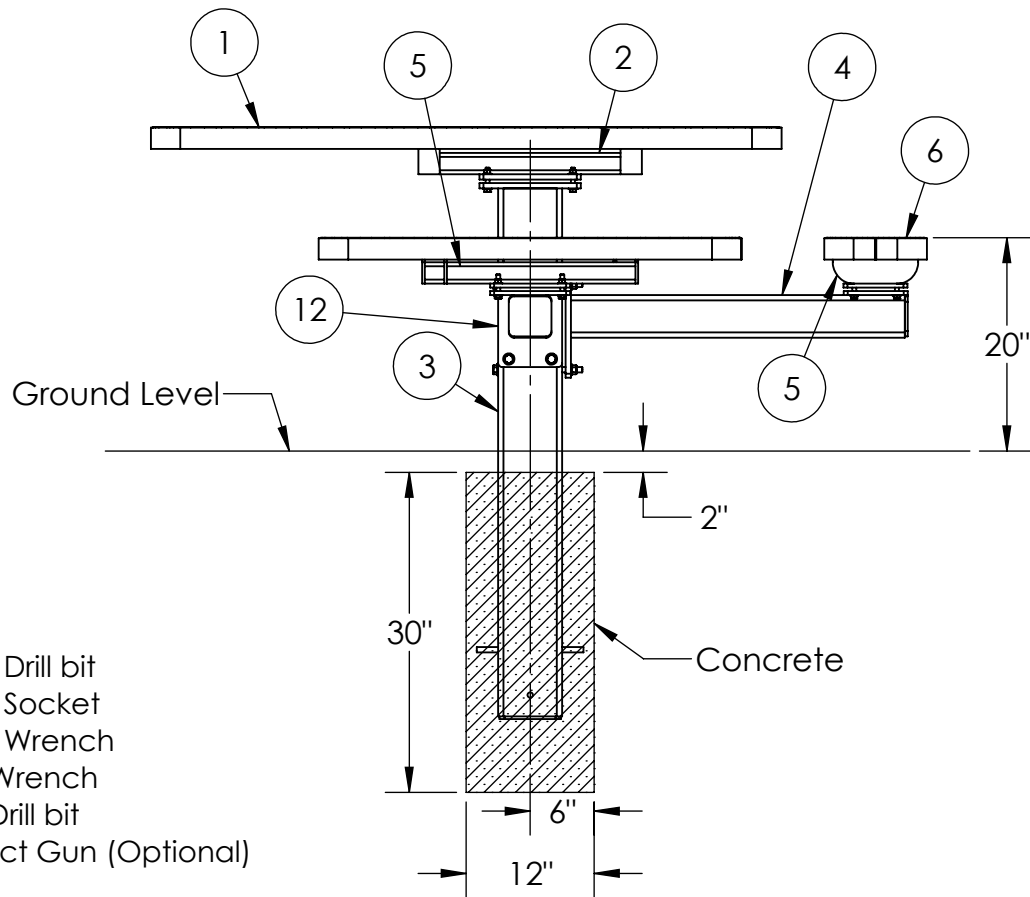


PREMIER POLYSTEEL

The Best Commercial Outdoor Furniture Available. Period.



SIZE
A



Tools List

- 7/16" Drill bit
- 9/16" Socket
- 9/16" Wrench
- 3/4" Wrench
- 1/2" Drill bit
- Impact Gun (Optional)
- Drill

1. Bore a 12-14" diameter hole into the ground. The hole should be at least 32" deep or below the frost line in your area, which ever is greater.
2. Place 4-6" of pea rock in hole.
3. Place center pedestal post into the hole.
4. Drill out all holes with a 7/16" drill bit. Use a 1/2" drill bit for seat arm end plate holes and center pedestal post holes at their union.
5. Bolt support arms #12 on to the center pedestal post using 1/2"x9" stainless steel hex bolts.
6. Bolt support arm #4 on to the center pedestal post using 1/2"x8" stainless steel hex bolts.
7. Bolt seat supports on to the seat arms using 3/8"x2" stainless steel hex bolts.
8. Bolt table top support on to the center pedestal post using 3/8"x2" stainless steel hex bolts.
9. Bolt the table top on to the table top support using 3/8"x1-1/2" stainless steel hex bolts.
10. Bolt the seats on to the seat supports using 3/8"x1-1/2" stainless steel hex bolts.
11. Level table and adjust to desired height. Recommended height is 20" from the ground to the top of the seats.
12. Fill hole with concrete no higher than ground level.

Periodic check of bolts tightness recommended

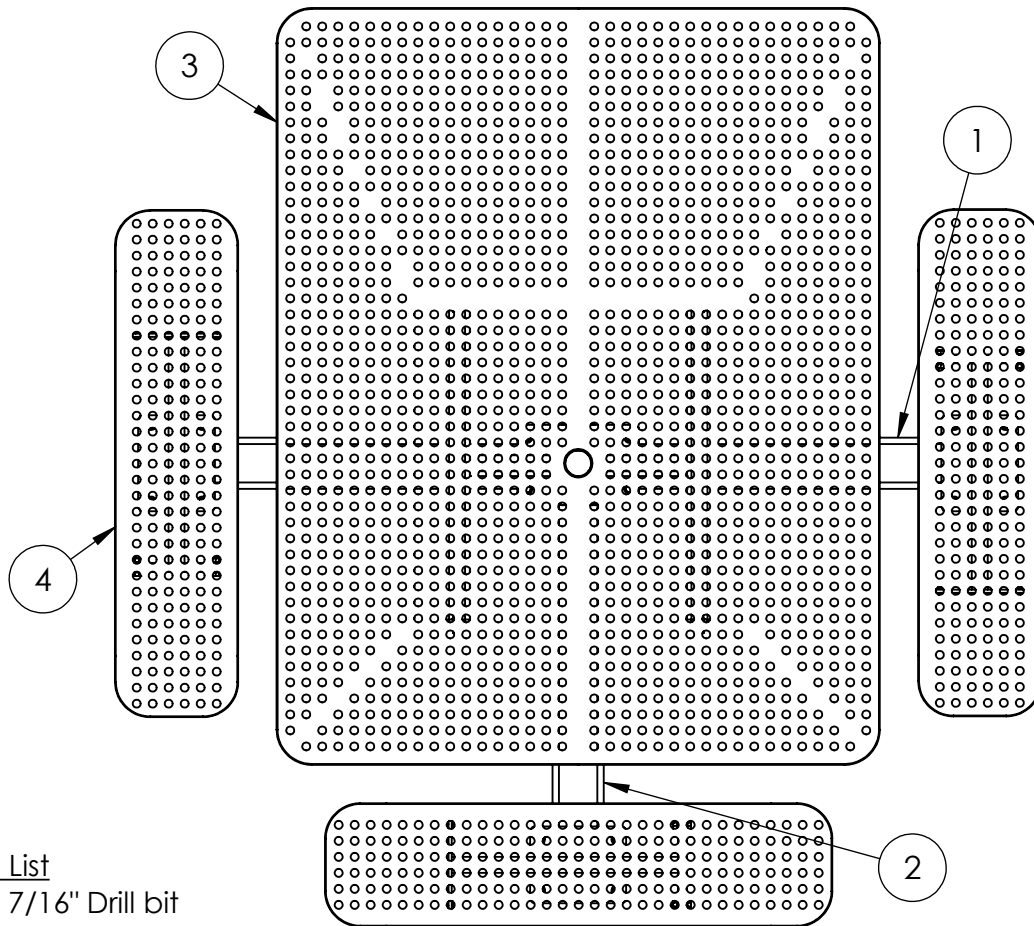
In accordance to California law: WARNING - This product contains a chemical known to the State of California to cause cancer and birth defects or other reproductive harm.



PREMIER POLYSTEEL

The Best Commercial Outdoor Furniture Available. Period.





Tools List

- 7/16" Drill bit
- 9/16" Socket
- 9/16" Wrench
- Level
- Impact Gun (Optional)
- Drill

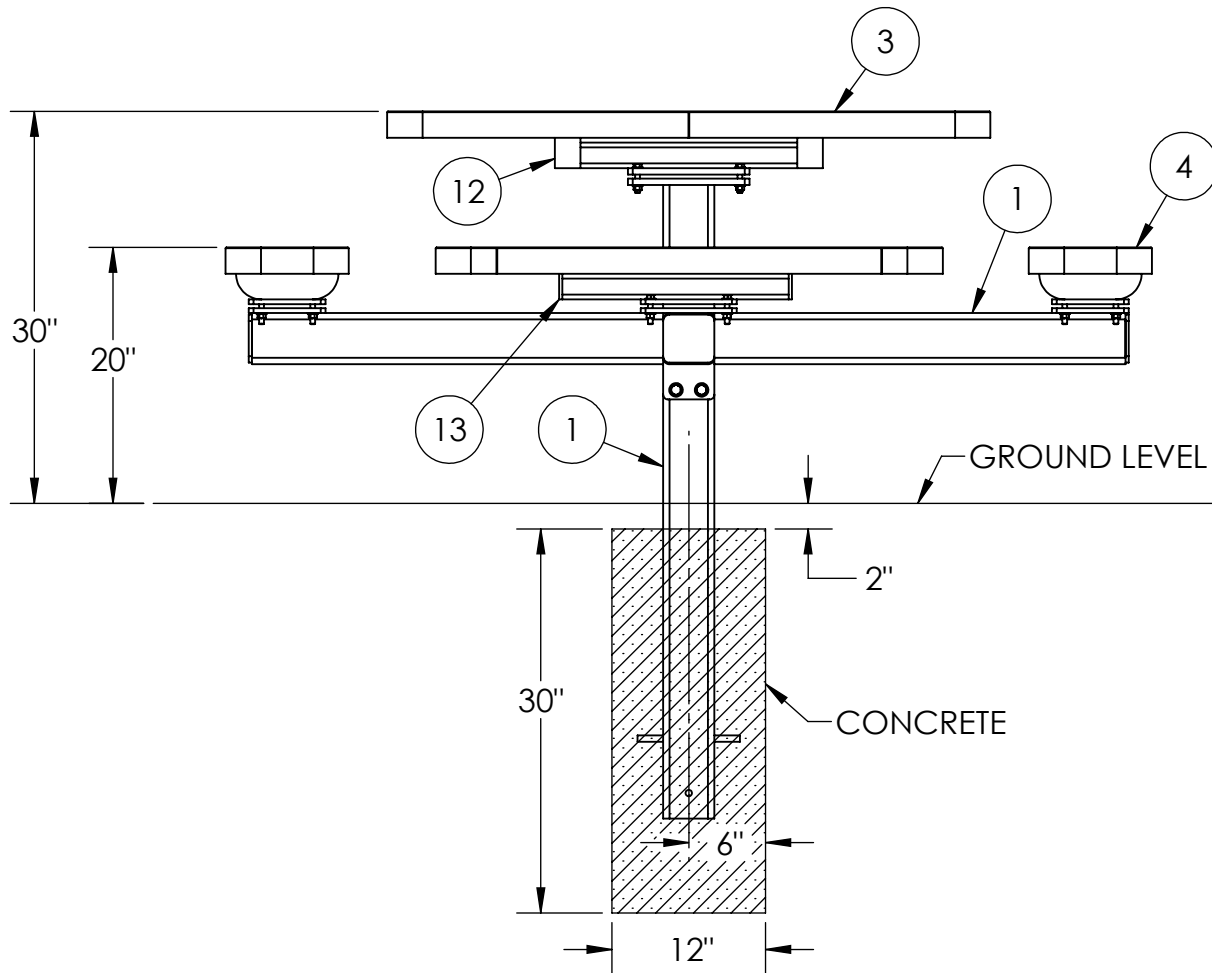
ITEM NO.	PART NUMBER	DESCRIPTION	QTY.
1	632-101	4" Pedestal DB	1
2	632-103	Seat Arm (1 Ped)	1
3	642-1P5	4x5 Accessible table Top	1
4	622-039	Champion 40" Seat Perforated	3
5	516-071	1/2" x 6" SS Hex Bolt NC	4
6	516-054	3/8"x2" SS Hex Head Bolt	16
7	516-058	3/8"x1-1/2" SS Hex Bolt	16
8	516-027	1/2" SS Flat Washer	8
9	516-023	3/8" SS Flat Washer	64
10	516-034	1/2" SS Hex Nut	4
11	516-028	3/8" SS Nylock Nut	32
12	632-102	Table Top Support	1
13	632-104	Seat support	3



PREMIER POLYSTEEL

The Best Commercial Outdoor Furniture Available. Period.





1. Bore a 12-14" diameter hole into the ground. The hole should be at least 32" deep or below the frost line in your area, which ever is greater.
2. Place 4-6" of pea rock in hole.
3. Place center pedestal post into the hole.
4. Drill out all holes with a 7/16" drill bit. Use a 9/16" drill bit for seat arm end plate holes and center pedestal post holes at their union.
5. Bolt the support arms on to the center pedestal post using 1/2"x6" stainless steel hex bolts.
6. Bolt seat supports on to the seat arms using 3/8"x2" stainless steel hex bolts.
7. Bolt table top support on to the center pedestal post using 3/8"x2" stainless steel hex bolts.
8. Bolt the table top on to the table top support using 3/8"x1-1/2" stainless steel hex bolts.
9. Bolt the seats on to the seat supports using 3/8"x1-1/2" stainless steel hex bolts.
10. Level table and adjust to desired height. Recommended height is 20" from the ground to the top of the seats.
11. Fill hole with concrete no higher than ground level.

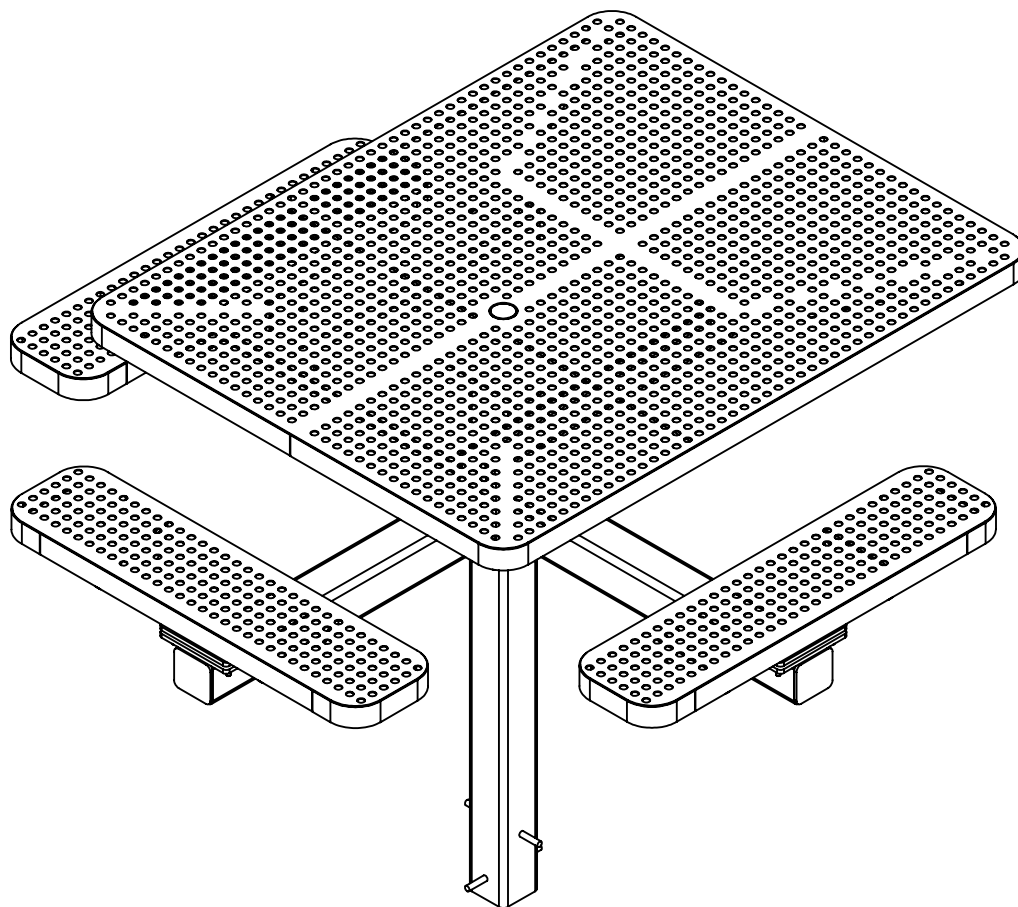
Periodic check of bolts tightness reccommended



PREMIER POLYSTEEL

The Best Commercial Outdoor Furniture Available. Period.





In accordance to California law: WARNING - This product contains a chemical known to the State of California to cause cancer and birth defects or other reproductive harm.

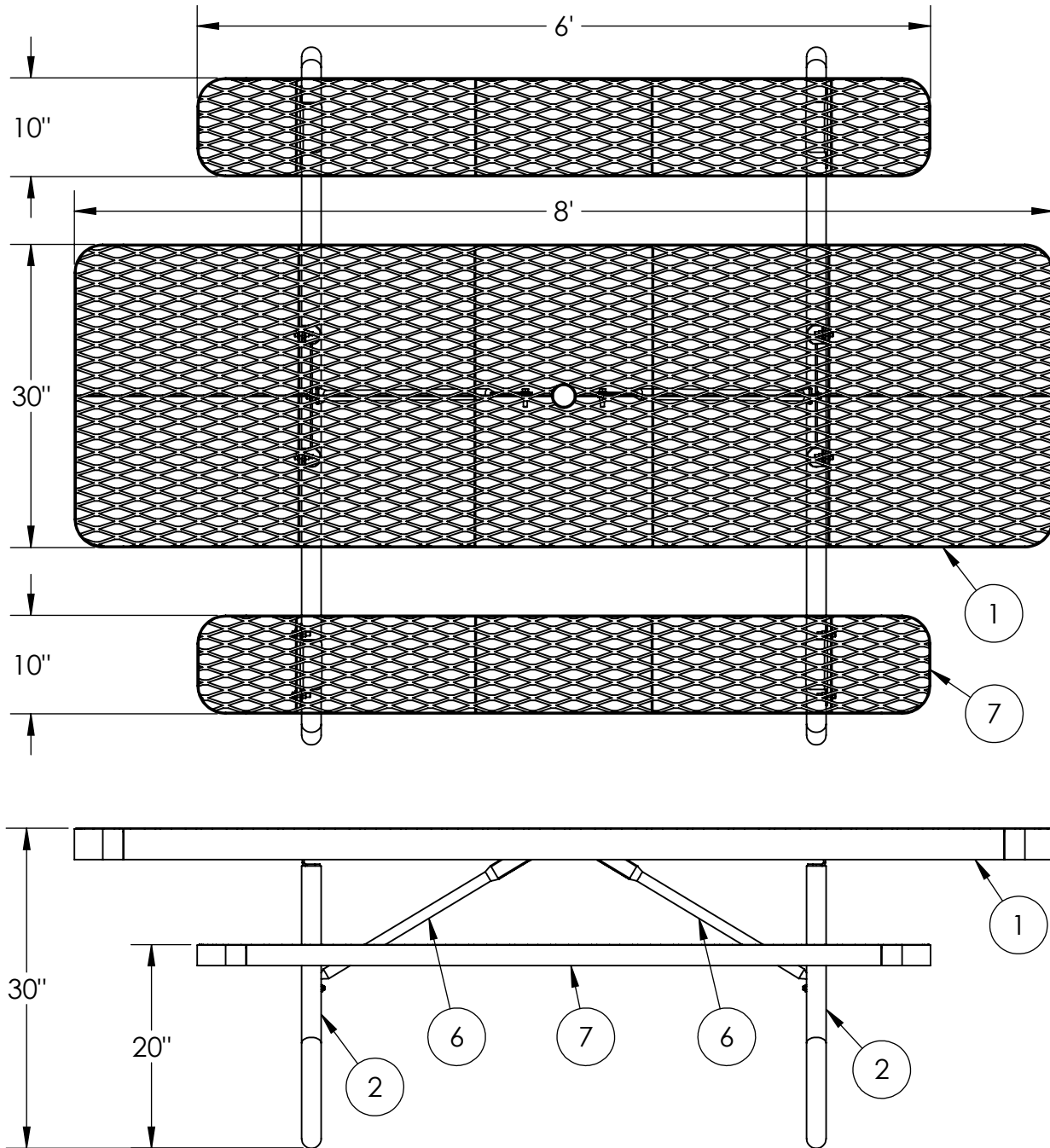


PREMIER POLYSTEEL

The Best Commercial Outdoor Furniture Available. Period.



8' Champion Expanded Metal Accessible Free Standing Picnic Table **950-501**



ITEM NO.	PART NUMBER	DESCRIPTION	QTY.
1	642-A15	8' Champion Access Table Top	1
2	634-010	Free Standing Table Stand For Seats	2
3	516-058	3/8"x1-1/2" SS Hex Bolt	12
4	516-023	3/8" SS Flat Washer	24
5	516-028	3/8" SS Nylock Nut	12
6	634-013A	TABLE BRACE	2
7	622-013	6' Champion Seat/Back (QS)	2

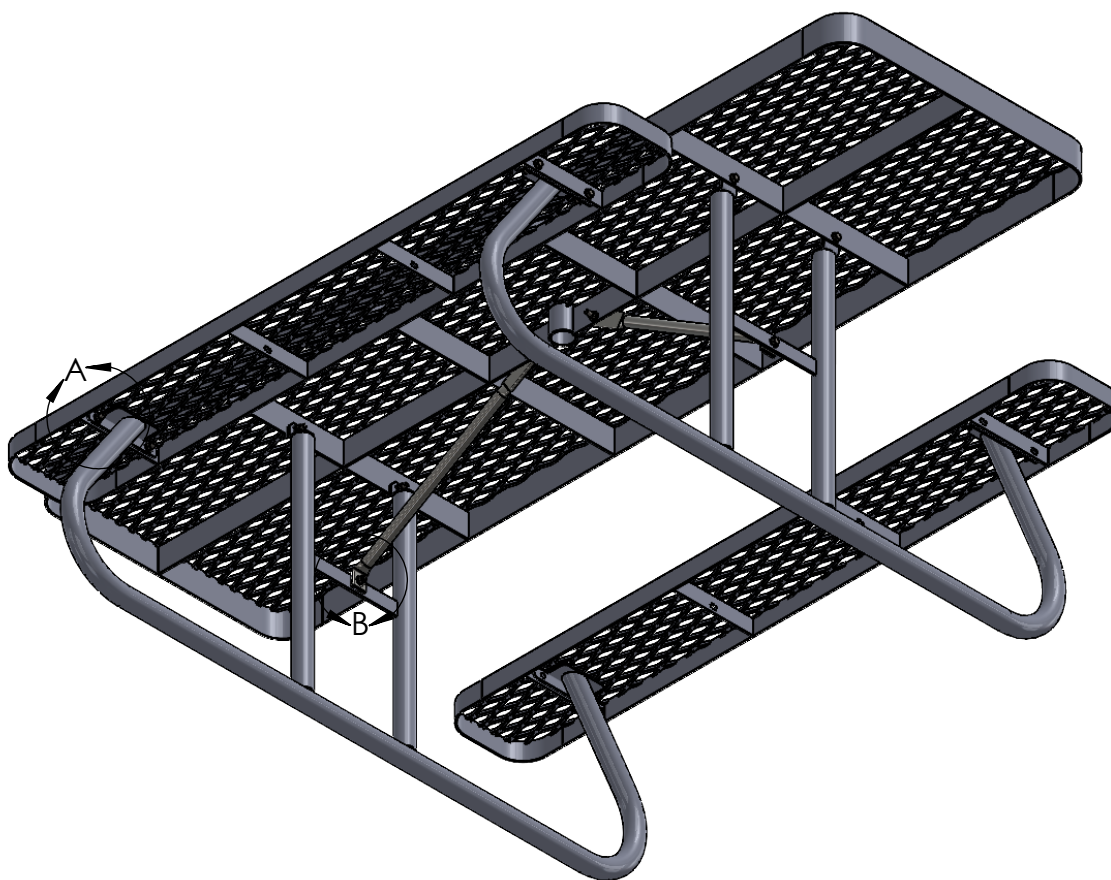
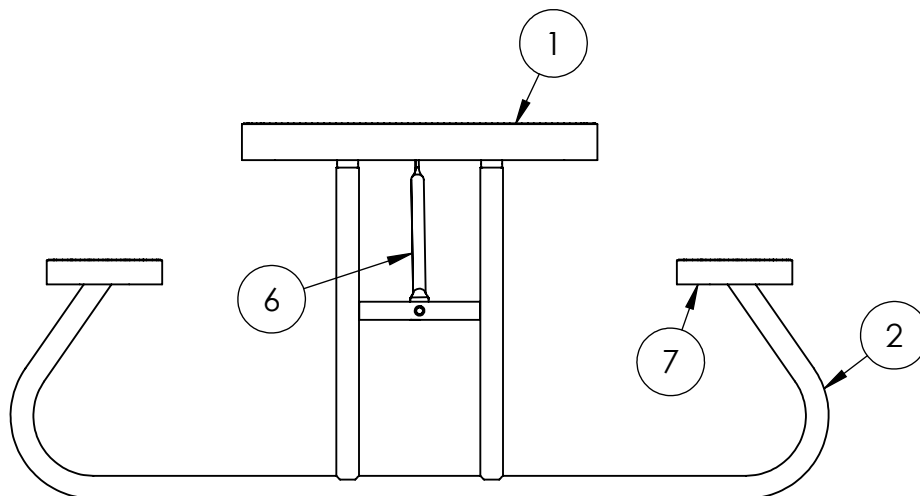


PREMIER POLYSTEEL

The Best Commercial Outdoor Furniture Available. Period.



8' Champion Expanded Metal Accessible Free Standing Picnic Table 950-501



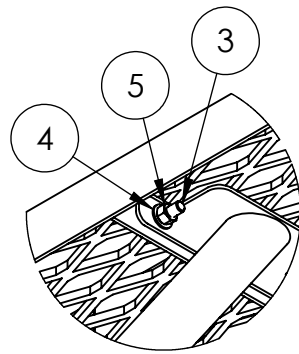
PREMIER POLYSTEEL

The Best Commercial Outdoor Furniture Available. Period.

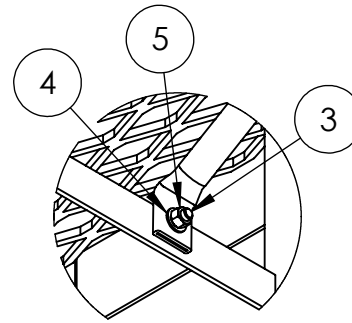


SIZE
A

REV. X.01 | SHEET 2 OF 3



DETAIL A
SCALE 1 : 6



DETAIL B
SCALE 1 : 6

1. Drill out holes.
2. Attach both stands to the inside of table support bar. (See diagram above)
3. Attach the seats to the stands.
4. Attach the straight end of each brace to the table. (See diagram above)
5. Attach bent end of both braces to the cross bar of each stand. (See diagram above)

Tools List

- 7/16" Drill bit
- 9/16" Socket
- 9/16" Wrench
- 7/32" Allen Wrench
- Drill

Periodic check of bolts tightness recommended

In accordance to California law: WARNING - This product contains a chemical known to the State of California to cause cancer and birth defects or other reproductive harm.



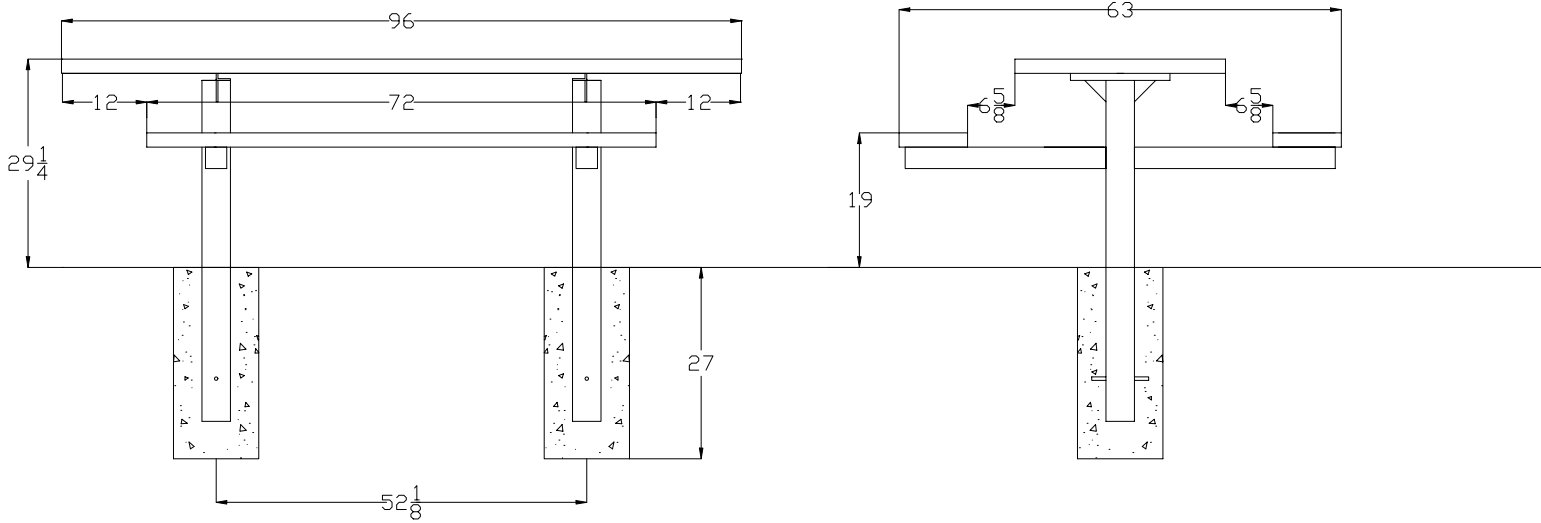
PREMIER POLYSTEEL

The Best Commercial Outdoor Furniture Available. Period.





950-502



Part No.	Description	Qty.
642-A15	Champion Accessible Table Top 8'	1
622-013	Champion Seat/Back 6'	2
632-200	Table Pedestal Direct Bury	2
516-058	3/8" X 1-1/2" SS Hex Bolt	12
516-028	3/8" SS Nylock Nut	12
516-023	3/8" SS Flat Washer	24

- 1 Drill 2 holes in ground per the above drawing.
- 2 Place the pedestals in the holes.
- 3 Drill plastic out of the mounting holes on the pedestals, top and seats using a 7/16" dia. drill bit.
- 4 Fasten the table top to the pedestals, support and level table top. Check height.
- 5 Fasten the seats to the pedestals, support and level seats. Check height.
- 6 When the seats and top are level and secured fill the holes with concrete to about 2" below ground level.

In Accordance to California law: WARNING This product contains a chemical known to the State of California to cause cancer and birth defects or other reproductive harm.

Periodic check of bolt tightness recommended.



PREMIER POLYSTEEL

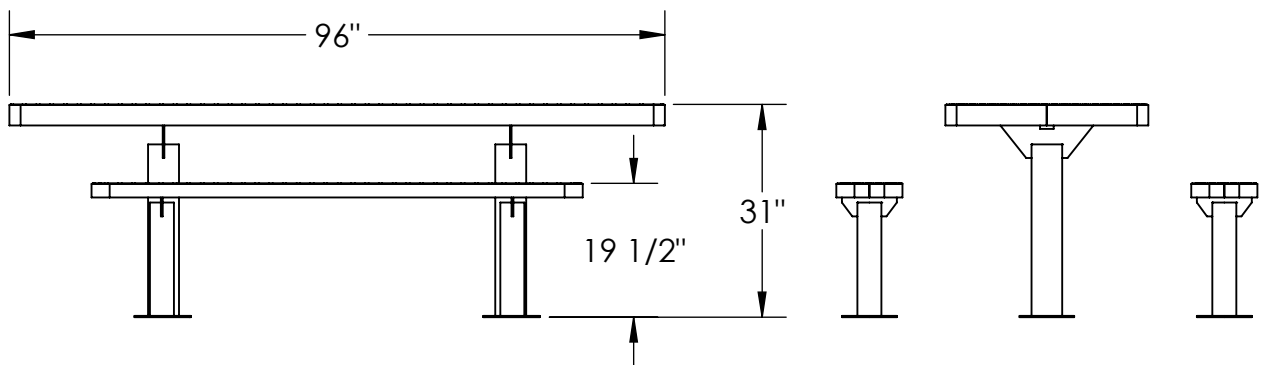
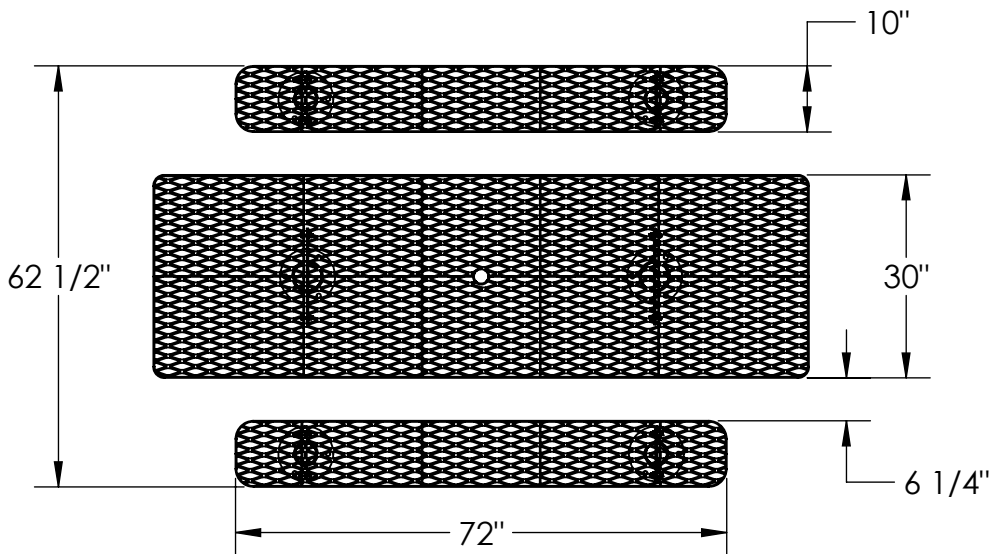
The Best Commercial Outdoor Furniture Available. Period.





8' Accessible Multi-Pedestal Surface Mount

950-505



1. Drill plastic out of the mounting holes on the pedestals, top and seats using a 7/16" dia. drill bit.
2. Fasten the table top and seats to the pedestals, installing the pedestal on the inside of the table and seat mounting bar.
3. Position the table and seats and anchor them to the floor.



PREMIER POLYSTEEL

The Best Commercial Outdoor Furniture Available. Period.



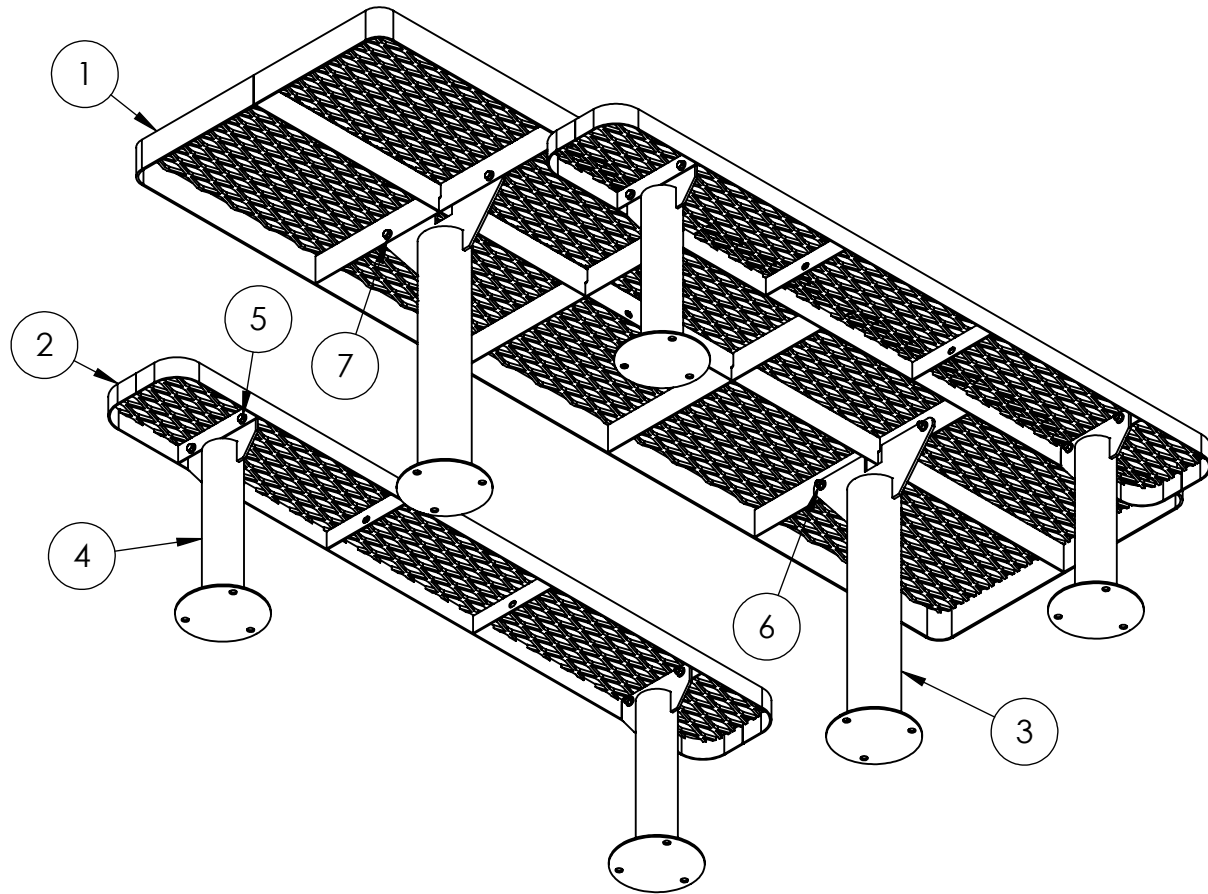
SIZE
A

REV. X.01 | SHEET 1 OF 2



8' Accessible Multi-Pedestal Surface Mount

950-505



In Accordance to California law: WARNING This product contains a chemical known to the State of California to cause cancer and birth defects or other reproductive harm.

ITEM NO.	PART NUMBER	DESCRIPTION	QTY.
1	642-A15	8' Accessible Table Top Expanded	1
2	622-013	Champion Seat/Back 6'	2
3	633-131	Table Pedestal Stand (Surface Mount)	2
4	633-141	Seat Pedestal Stand (Surface Mount)	4
5	516-058	3/8"x1-1/2" SS Hex Bolt	12
6	516-028	3/8" SS Nylock Nut	12
7	516-023	3/8" SS Flat Washer	24



PREMIER POLYSTEEL

The Best Commercial Outdoor Furniture Available. Period.

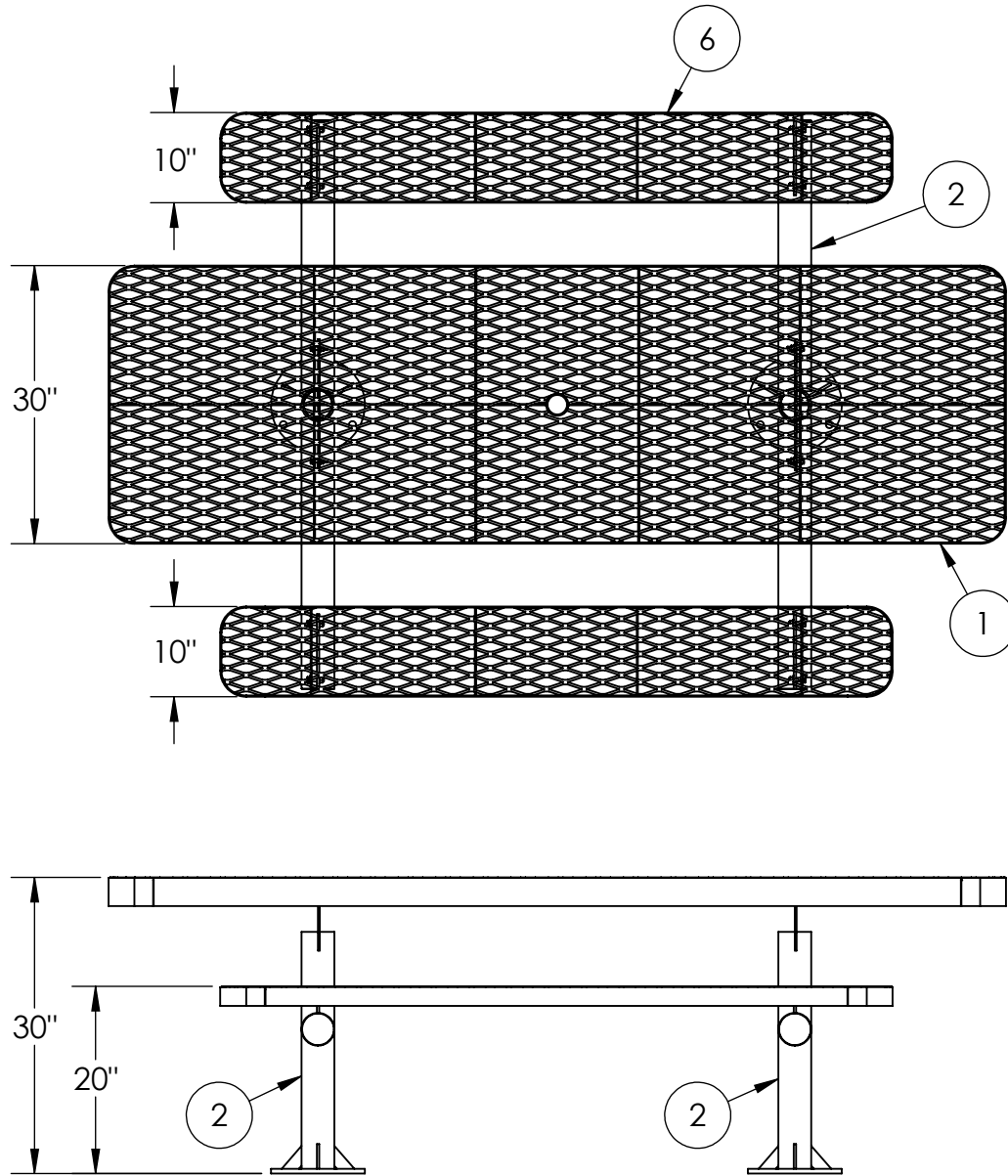


SIZE
A



8' Champion Accessible Table, Free Standing

950-507



ITEM NO.	PART NUMBER	DESCRIPTION	QTY.
1	642-A15	8' Champion Access Table Top	1
2	632-300	Two Pedestal Surface Mount Stand	2
3	516-058	3/8"x1-1/2" SS Hex Bolt	12
4	516-023	3/8" SS Flat Washer	24
5	516-028	3/8" SS Nylock Nut	12
6	622-013	6' Champion Seat/Back (QS)	2

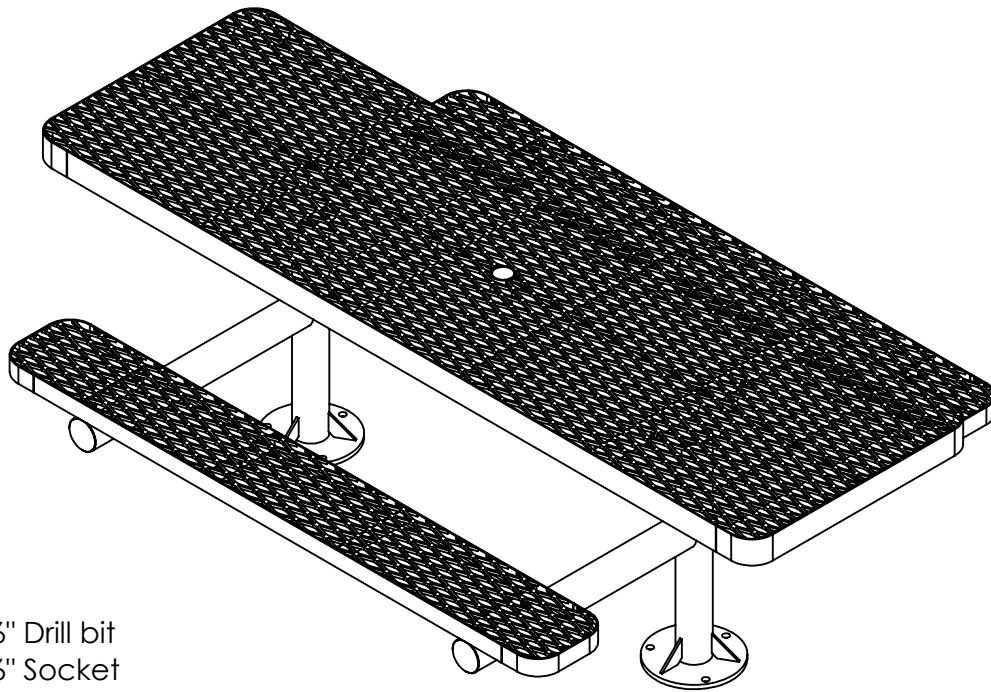


PREMIER POLYSTEEL

The Best Commercial Outdoor Furniture Available. Period.



SIZE
A



Tools List

- 7/16" Drill bit
- 9/16" Socket
- 9/16" Wrench
- Level
- Impact Gun (Optional)
- Drill

1. Drill plastic out of the mounting holes on the stands, seats and table using a 7/16" diameter drill bit.
2. Attach the seats and table to the stands with fixings provided and tighten up.
3. Stand the table in its final location and mark out base holes.
4. Move the table to a safe place and drill holes.
5. Place the table back, level and secure down using appropriate fixings for the ground material.

Periodic check of bolts tightness recommended

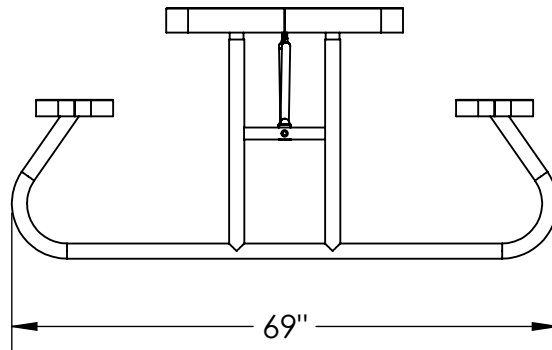
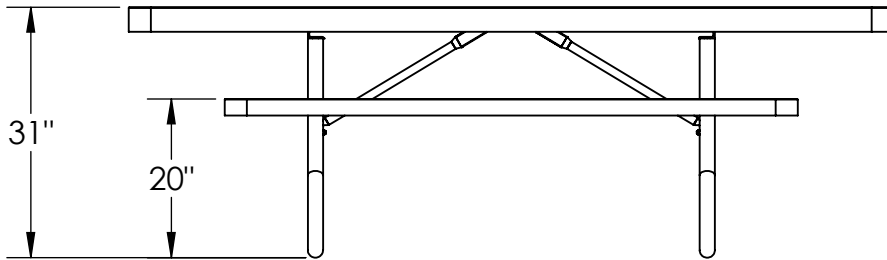
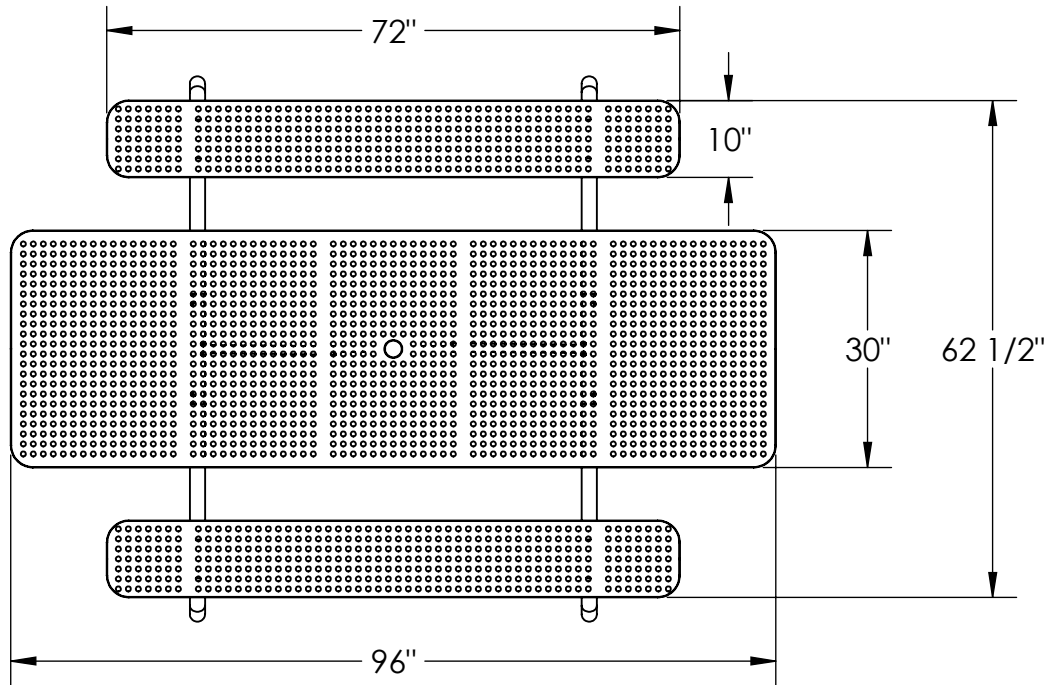
In accordance to California law: WARNING - This product contains a chemical known to the State of California to cause cancer and birth defects or other reproductive harm.

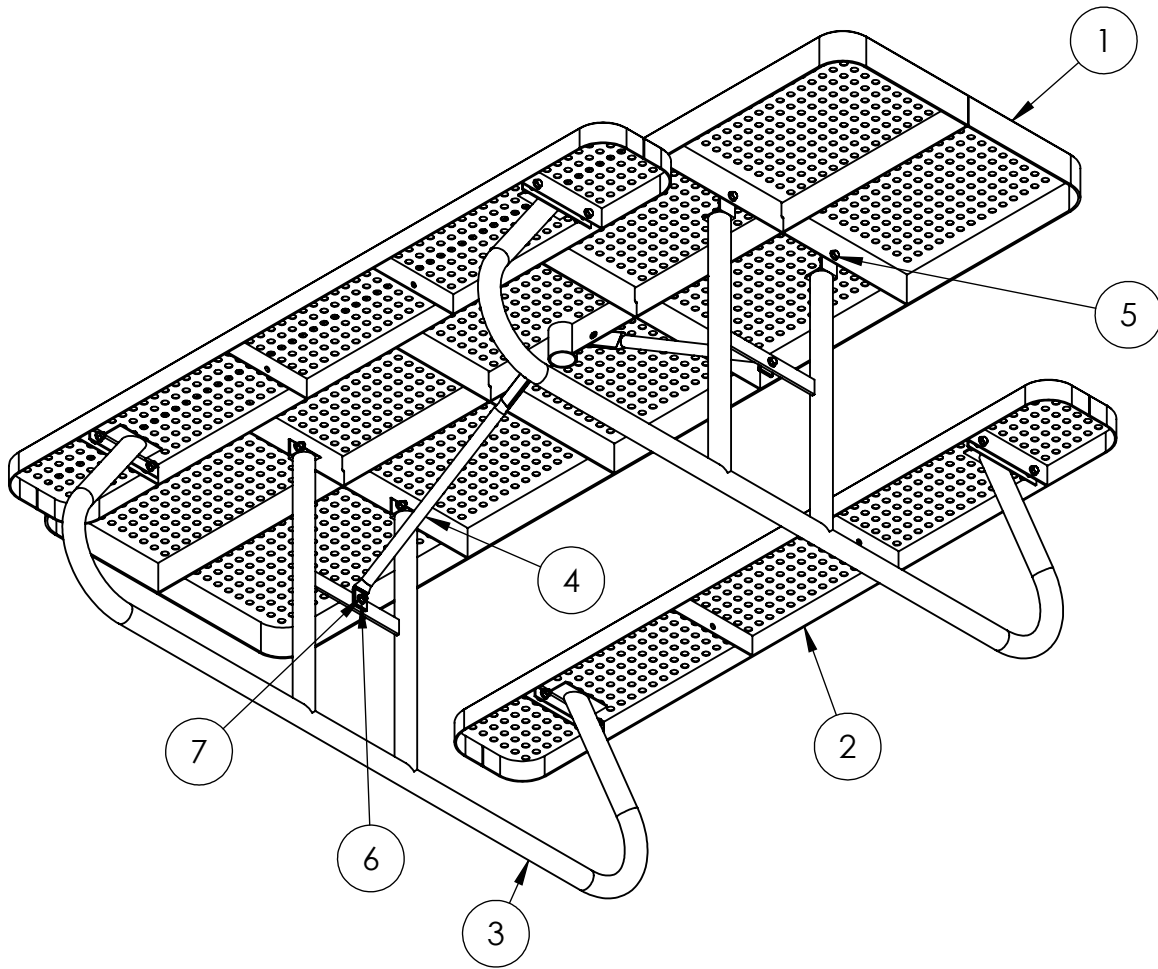


PREMIER POLYSTEEL

The Best Commercial Outdoor Furniture Available. Period.







Assembly Instructions

1. Drill out holes.
2. Attach both legs to the inside of table support bar. (See view above)
3. Attach the seats to the legs.
4. Attach the straight end of each brace to the table. (See view above)
5. Attach bent end of both braces to the cross bar of each leg. (See view above)

ITEM NO.	PART NUMBER	DESCRIPTION	QTY.
1	642-AP5	8' Champion Accessible Table Top	1
2	622-P13	6' Champion Perf Seat/Back	2
3	634-010	FS Table Stand (10" Seats)	2
4	634-013A	Table Brace W/Umbrella	2
5	516-058	3/8"x1-1/2" SS Hex Bolt	14
6	516-023	3/8" SS Flat Washer	28
7	516-028	3/8" SS Nylock Nut	14

In Accordance to California law: WARNING This product contains a chemical known to the State of California to cause cancer and birth defects or other reproductive harm.