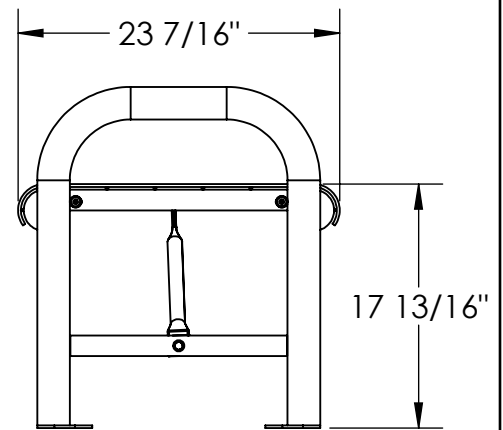
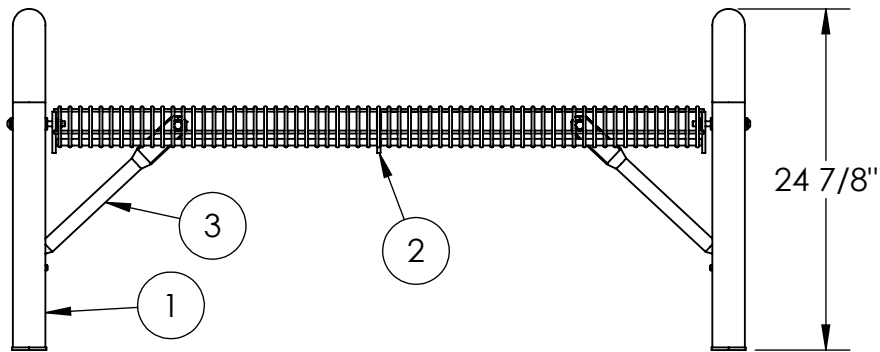
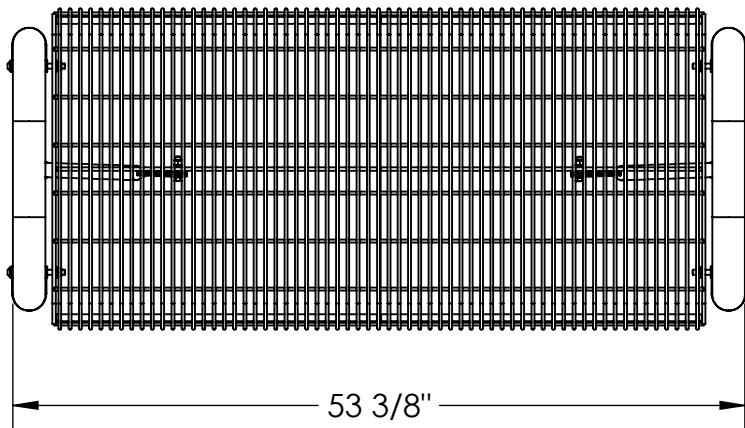


Premier 4' Welded Rod Flat Contour Free Standing/Surface Mount Bench

976-103

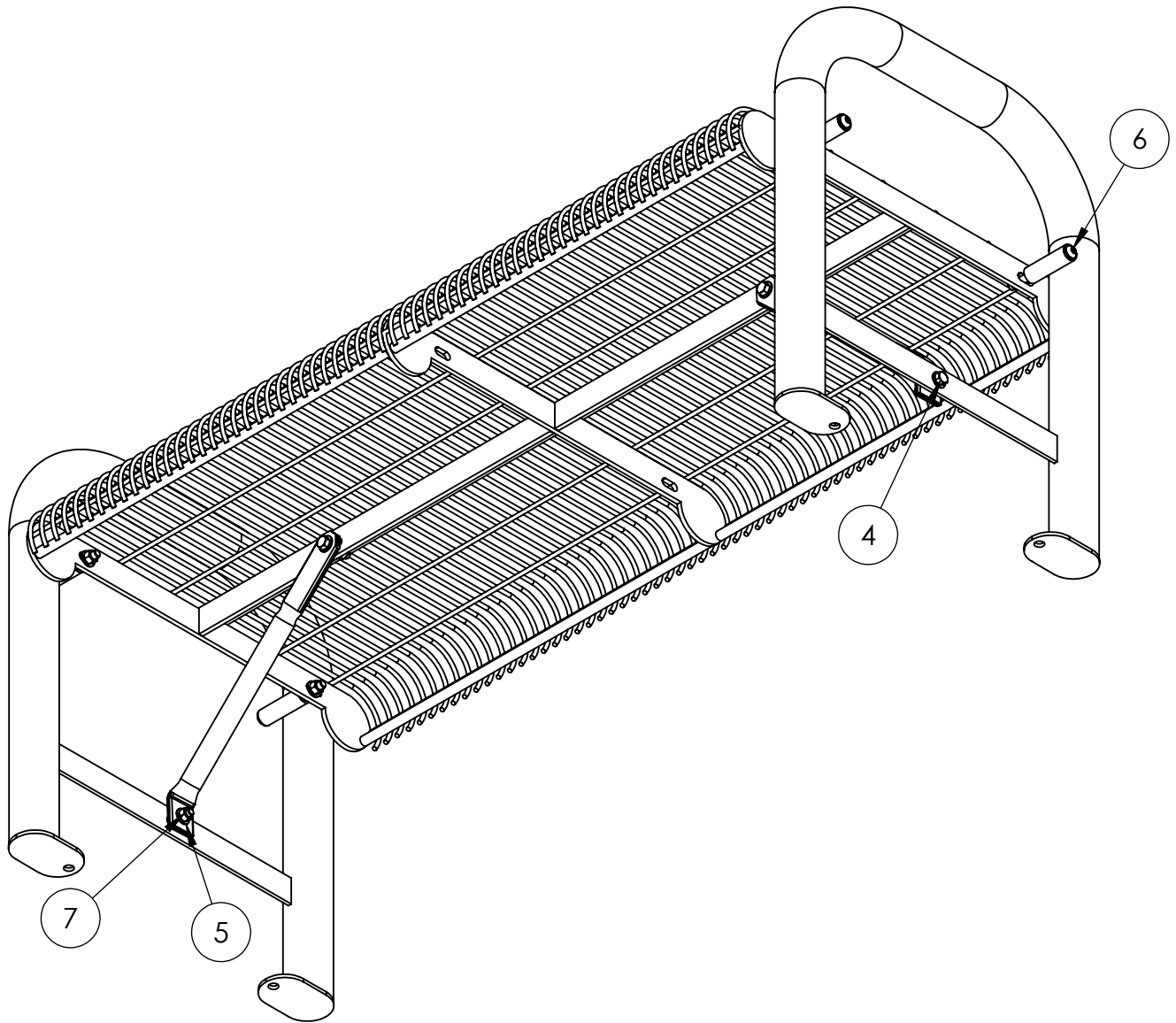


1. Drill plastic out of the mounting holes on the stands, seat and braces using a 7/16" dia. drill bit.
2. Fasten the seat to the stands loosely and then fasten the braces to the stands and seat.
3. Set on a level surface and tighten all of the bolts.

ITEM NO.	PART NUMBER	DESCRIPTION	QTY.
1	733-113	Contour Flat Bench Stand	2
2	652-221	4' Welded Rod Contour Flat Seat	1
3	630-213	Brace for the Contour Flat Bench	2
4	516-058	3/8"x1-1/2" SS Hex Bolt	4
5	516-023	3/8" SS Flat Washer	16
6	516-033	3/8"x4" SS Button Head Cap Screw	4
7	516-028	3/8" SS Nylock Nut	8

Premier 4' Welded Rod Flat Contour Free Standing/Surface Mount
Bench

976-103



In Accordance to California law: WARNING This product contains a chemical known to the State of California to cause cancer and birth defects or other reproductive harm.