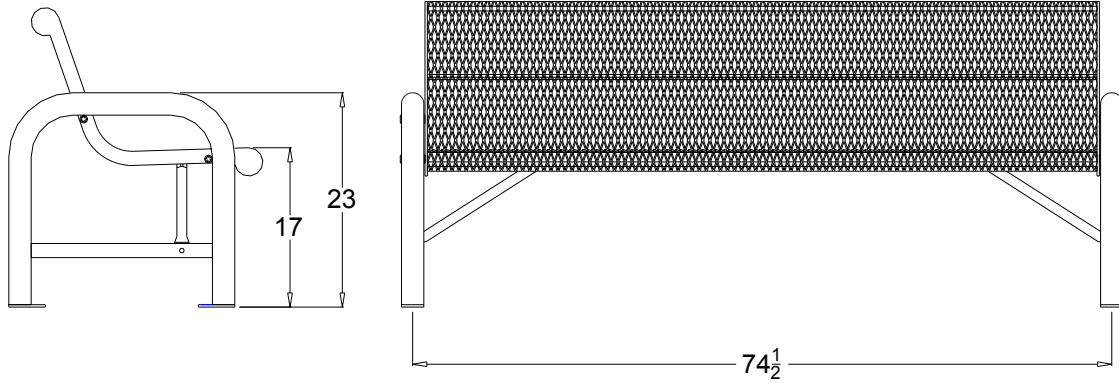




974-303



Part No.	Description	Qty.
623-015	6' Grand Contour Exp Seat	1
733-013	Grand Contour Stand	2
631-313	Contour Bench Brace	2
516-033	3/8" X 4" SS Btn Skt Cap	4
516-058	3/8" X 1-1/2" SS Hex Bolt	4
516-028	3/8" SS Nylock Nut	8
516-023	3/8" SS Washer	16

- 1 Drill plastic out of the mounting holes on the seat, braces and stands using a 7/16" dia. drill bit.
- 2 Fasten the seat to the stands loosely and then fasten the brace to the stands and seat.
- 3 Tighten all of the bolts.
- 4 Make sure the bench is level and tighten all the bolts.
- 5 Position bench where desired and anchor to the floor.

In Accordance to California law: WARNING This product contains a chemical known to the State of California to cause cancer and birth defects or other reproductive harm.

Periodic check of bolt tightness recommended.