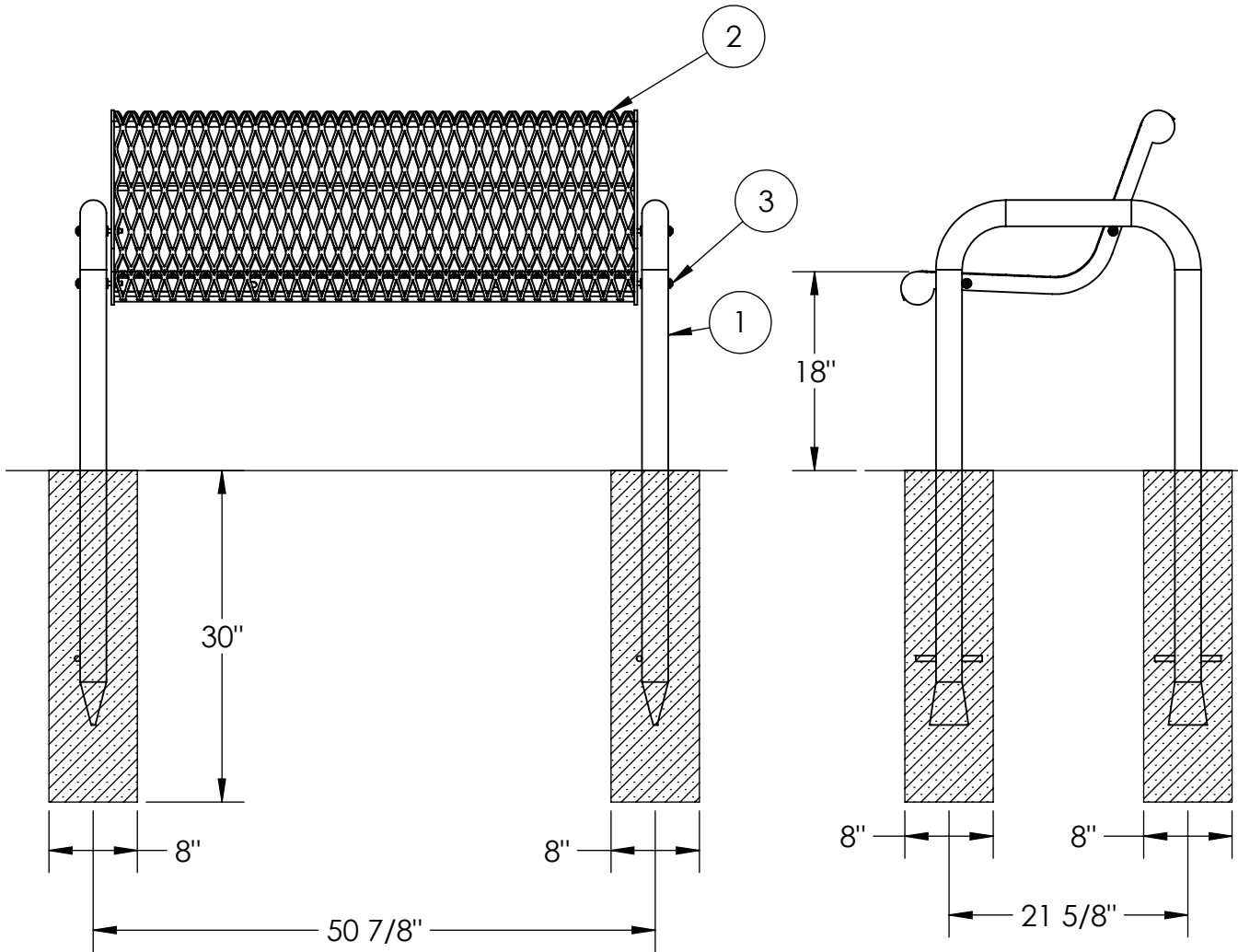
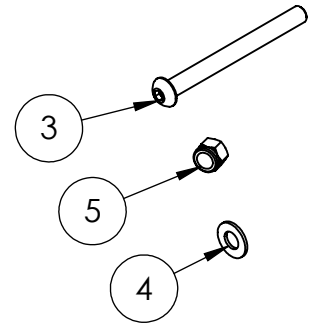
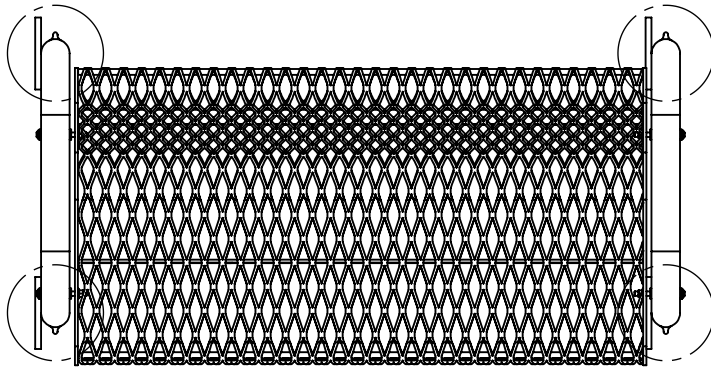




4' Grand Contour Bench, Direct Bury Expanded Metal

974-102

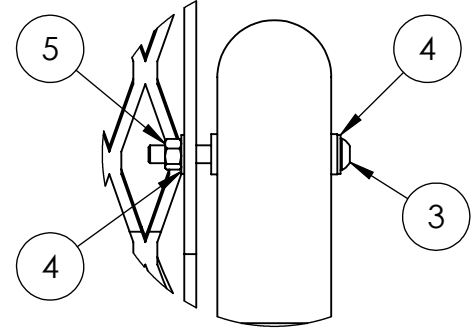
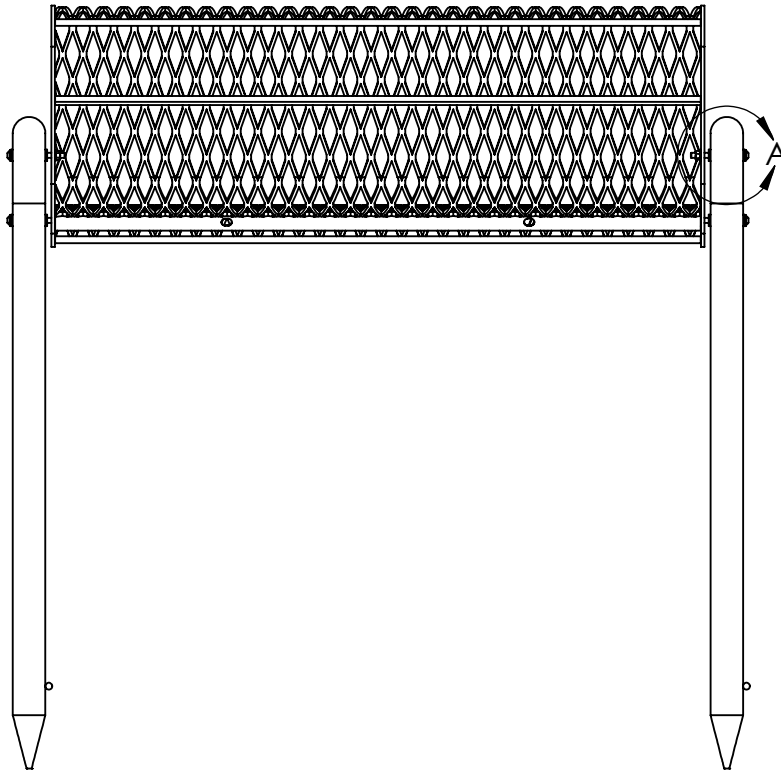


PREMIER POLYSTEEL

The Best Commercial Outdoor Furniture Available. Period.



SIZE
A



DETAIL A
SCALE 1 : 4

1. Drill plastic out of the mounting holes on the seat and stands using a 7/16" dia. drill bit.
2. Fasten the seat to the stands.
3. Position the bench where desired and drill holes in the ground accordingly. The holes should go below the frost line in your area.
4. Place the stands into the holes and support the bench at the desired height.
5. Make sure the bench is level end to end and the top of the stands are level front to back.
6. Fill holes with concrete and let cure before removing supports.

ITEM NO.	PART NUMBER	DESCRIPTION	QTY.
1	733-212	Grand Contour Tube Frame DB	2
2	623-014	4' Grand Contour Expanded Metal Seat	1
3	516-033	3/8"x4" SS Button Head Cap Screw	4
4	516-023	3/8" SS Flat Washer	8
5	516-028	3/8" SS Nylock Nut	4

In accordance to California law: WARNING - This product contains a chemical known to the State of California to cause cancer and birth defects or other reproductive harm.



PREMIER POLYSTEEL

The Best Commercial Outdoor Furniture Available. Period.

