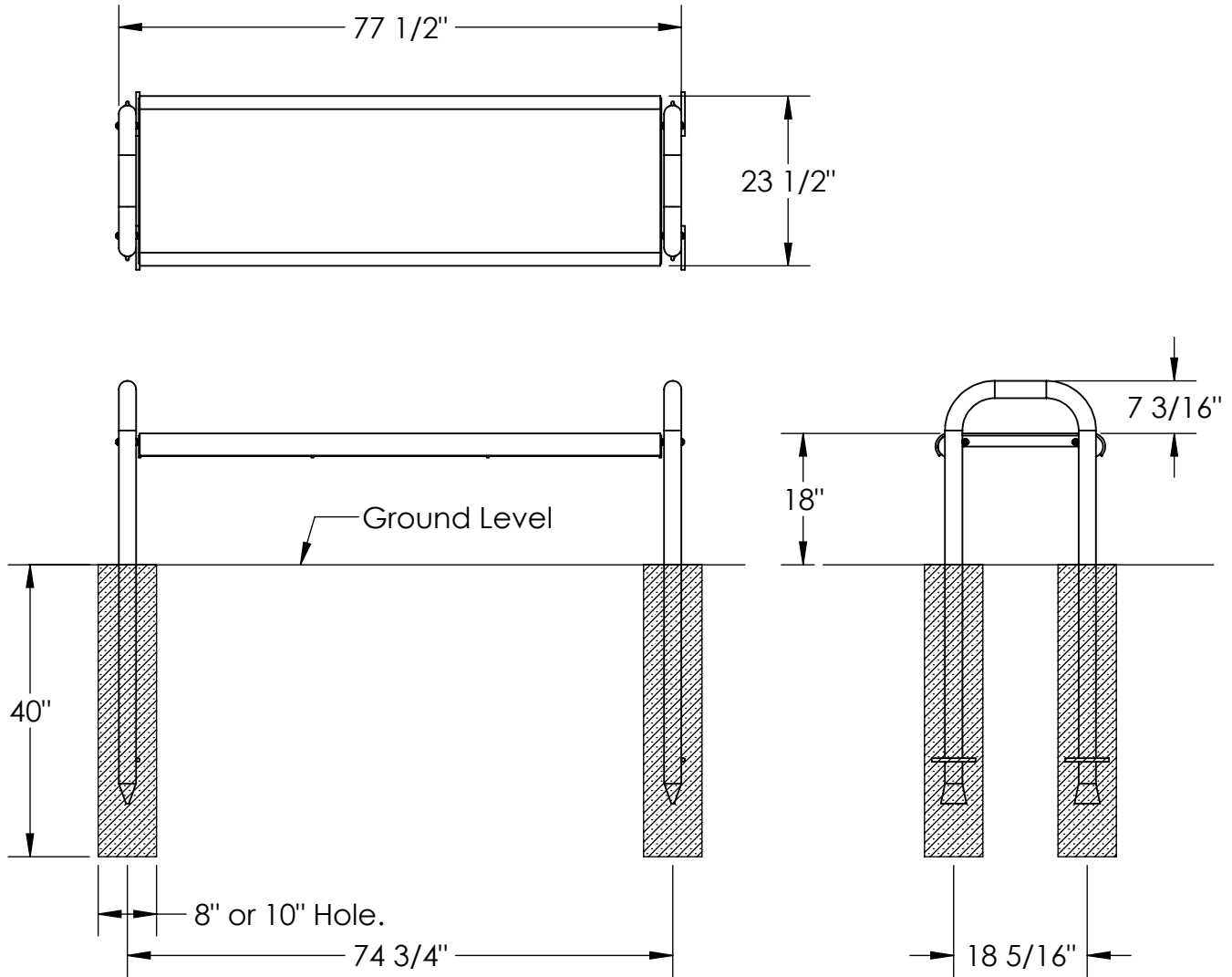




# 6' Contour Without Back Direct Bury

973-302



1. Drill plastic out of the mounting holes on the stands and the seat using a  $\frac{7}{16}$ " dia. drill bit.
2. Attach seat to stands with  $\frac{3}{8}$ " x  $4$ " SS Button Socket Cap Screws, washers and nuts.
3. Support the bench so that it is level and secure in concrete footing as shown.



## PREMIER POLYSTEEL

The Best Commercial Outdoor Furniture Available. Period.



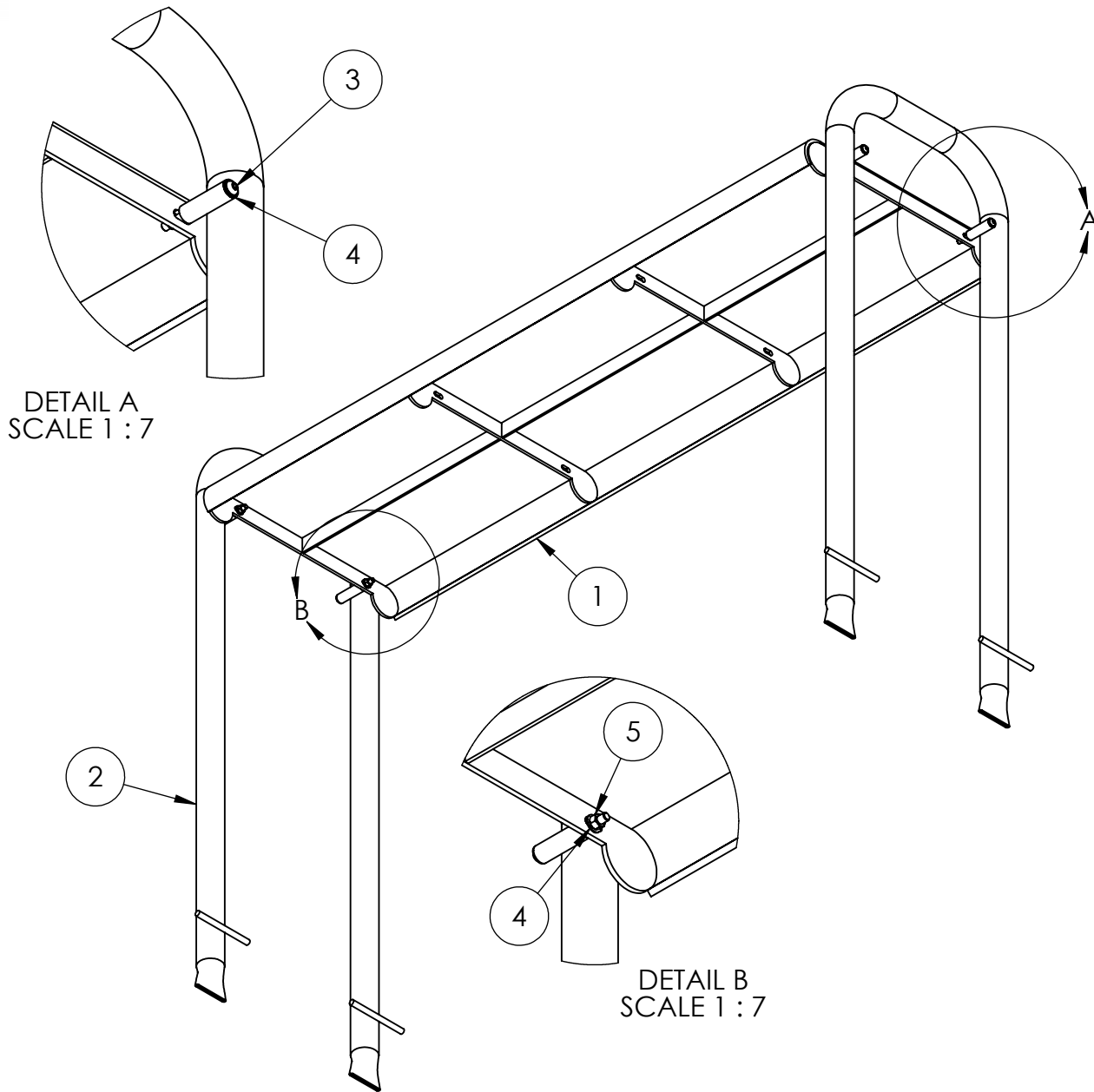
SIZE  
A

REV. X.01 | SHEET 1 OF 2



# 6' Contour Without Back Direct Bury

973-302



In Accordance to California law: WARNING This product contains a chemical know to the State of California to cause cancer and birth defects or other reproductive harm.

| ITEM NO. | PART NUMBER | DESCRIPTION                          | QTY. |
|----------|-------------|--------------------------------------|------|
| 1        | 652-213     | 6' Contour Flat Bench                | 1    |
| 2        | 733-213     | Contour Flat Bench Direct Bury Stand | 2    |
| 3        | 516-033     | 3/8"x4" SS Button Head Cap Screw     | 4    |
| 4        | 516-023     | 3/8" SS Flat Washer                  | 8    |
| 5        | 516-028     | 3/8" SS Nylock Nut                   | 4    |



## PREMIER POLYSTEEL

The Best Commercial Outdoor Furniture Available. Period.



SIZE  
**A**