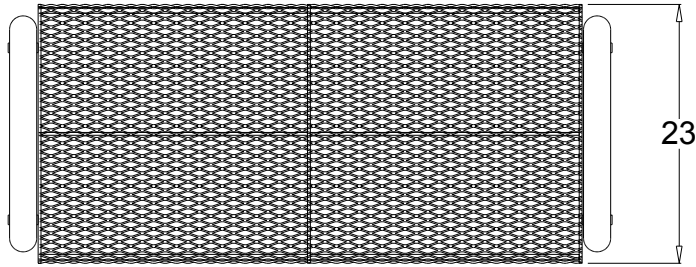
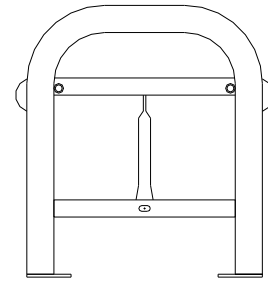
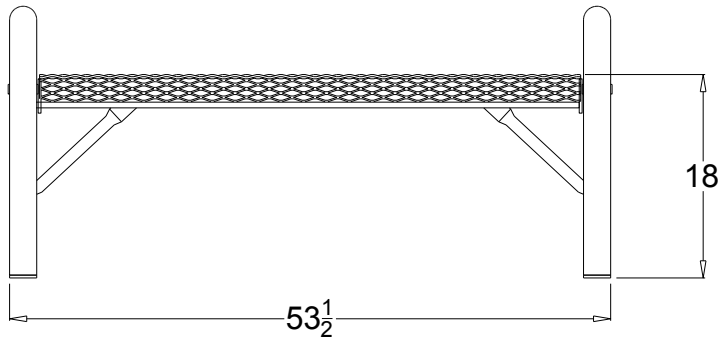




# 973-103



**973-103 4' FLAT CONTOUR BENCH FSSM**



Part No.	Description	Qty.
652-211	4' Contour Flat Seat Expanded Metal	1
733-113	Contour Flat Bench Stand	2
630-213	Brace	2
516-033	3/8" x 4" SS Button Socket Cap	4
516-058	3/8" x 1-1/2" SS Hex Bolt	4
516-028	3/8" SS Nylock Nut	8
516-023	3/8" SS Washer	12

- 1 Drill plastic out of the mounting holes on the stands, seat and braces using a 7/16" dia. drill bit.
- 2 Fasten the seat to the stands loosely and then fasten the braces to the stands and seat.
- 3 Set on a level surface and tighten all of the bolts.

In Accordance to California law: WARNING This product contains a chemical known to the State of California to cause cancer and birth defects or other reproductive harm.

*Periodic check of bolt tightness recommended.*