

ITEM NO.	PART NUMBER	DESCRIPTION	QTY.
1	625-001	Flat Rib Sheet	1
2	733-212	Grand Contour Tube Frame DB	1
3	516-033	3/8"x4" SS Button Head Cap Screw	4
4	516-023	3/8" SS Flat Washer	8
5	516-028	3/8" SS Nylock Nut	4



PREMIER POLYSTEEL

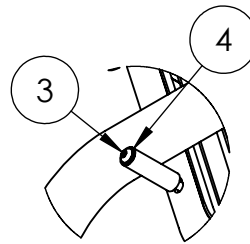
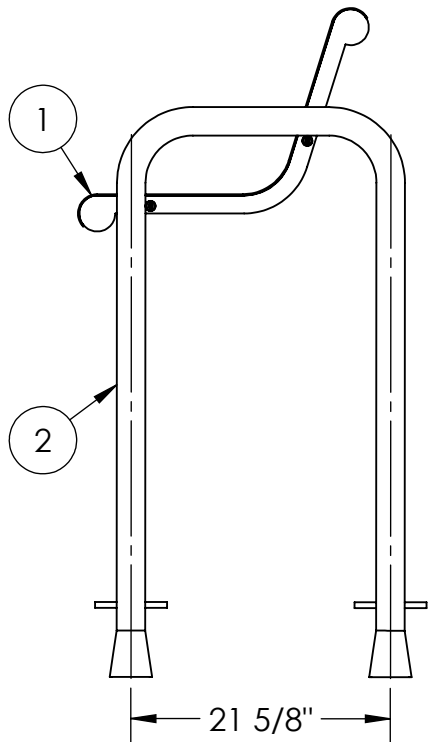
The Best Commercial Outdoor Furniture Available. Period.



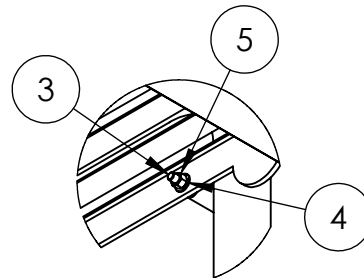


4' Laser Grand Contour With Back Direct Bury

971-102



DETAIL A
SCALE 1 : 8



DETAIL B
SCALE 1 : 8



PREMIER POLYSTEEL

The Best Commercial Outdoor Furniture Available. Period.



SIZE
A



1. Drill plastic out of the mounting holes on the seat using a 7/16" diameter drill bit.
2. Bolt the seat to the legs and tighten up.
3. Mark out the holes for the legs on the ground in the desired location. Drill 10" diameter holes at each location to a minimum depth of 30". You need to be below the frost line in your area.
4. Place the seat into the holes and support at the desired height. Level the seat.
5. Fill the holes with concrete and crown the top so that water will run off. Let stand for 24 hours before removing the supports.

Tools List

- 7/16" Drill bit
- 9/16" Socket
- 9/16" Wrench
- Level
- Impact Gun (Optional)
- Drill

Periodic check of bolts tightness recommended

In accordance to California law: WARNING - This product contains a chemical known to the State of California to cause cancer and birth defects or other reproductive harm.



PREMIER POLYSTEEL

The Best Commercial Outdoor Furniture Available. Period.

