

ITEM NO.	PART NUMBER	DESCRIPTION	QTY.
1	642-E13	OVAL TABLE	1
2	632-300	TWO PEDESTAL SURFACE MOUNT STAND	2
3	622-E13	6' Champion Oval Seat	2
4	516-058	3/8"x1-1/2" SS Hex Bolt	12
5	516-023	3/8" SS Flat Washer	24
6	517-028	3/8" Zinc Nylock Nut	12

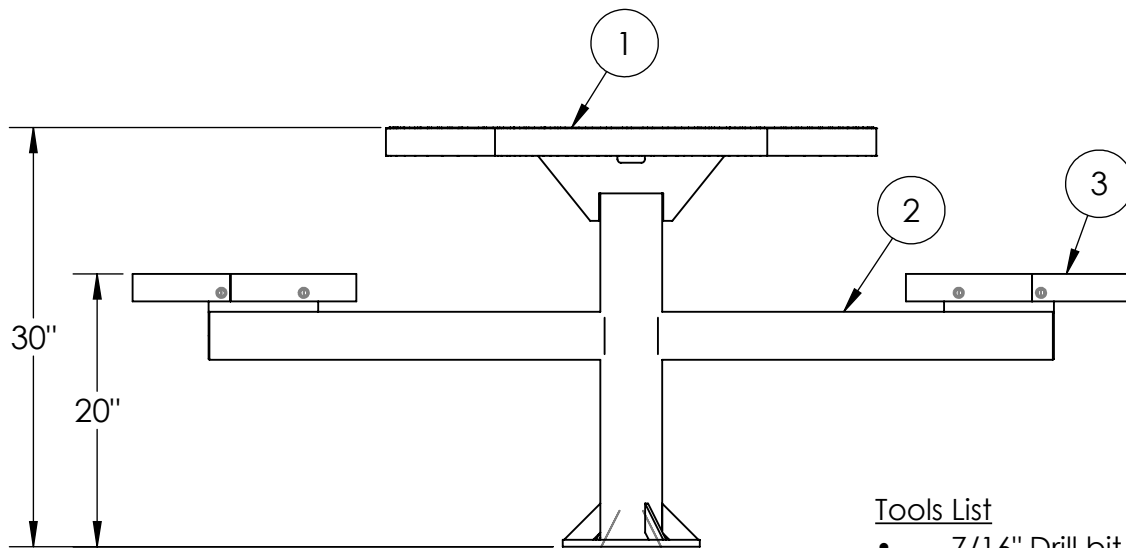
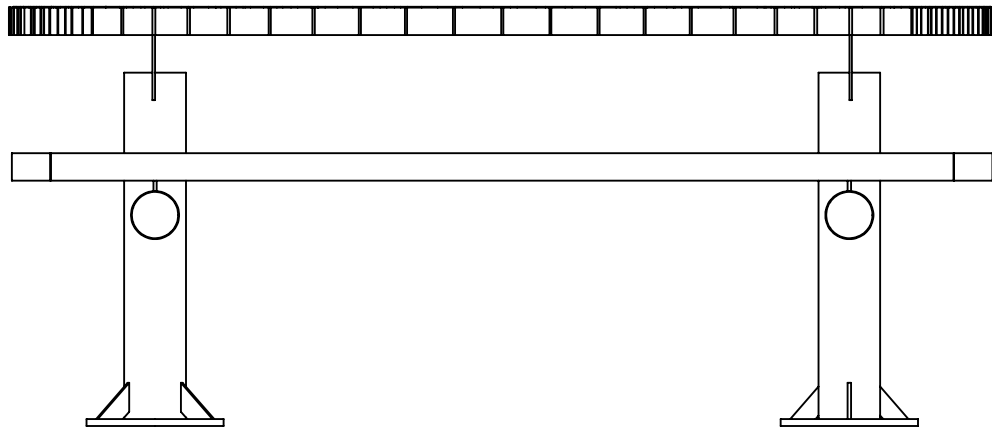


**PREMIER POLYSTEEL**

The Best Commercial Outdoor Furniture Available. Period.



SIZE  
**A**



Tools List

- 7/16" Drill bit
- 9/16" Socket
- 9/16" Wrench
- Impact Gun (Optional)
- Drill

1. Drill plastic out of the mounting holes on the stands, seats and table top using a 7/16" diameter drill bit.
2. Attach the seats and table top to the support brackets with fixings provided and tighten up.
3. Stand the table in its final location and mark out base holes.
4. Move the table to a safe place and drill holes.
5. Place the table back, level and secure down using appropriate fixings for the ground material.

In accordance to California law: WARNING - This product contains a chemical known to the State of California to cause cancer and birth defects or other reproductive harm.



**PREMIER POLYSTEEL**

The Best Commercial Outdoor Furniture Available. Period.

