

ITEM NO.	PART NUMBER	DESCRIPTION	QTY.
1	642-E13	OVAL TABLE	1
2	632-200	TWO PEDESTAL DIRECT BURY	2
3	622-E13	6' Champion Oval Seat	2
4	516-058	3/8"x1-1/2" SS Hex Bolt	12
5	516-023	3/8" SS Flat Washer	24
6	516-028	3/8" SS Nylock Nut	12



PREMIER POLYSTEEL

The Best Commercial Outdoor Furniture Available. Period.

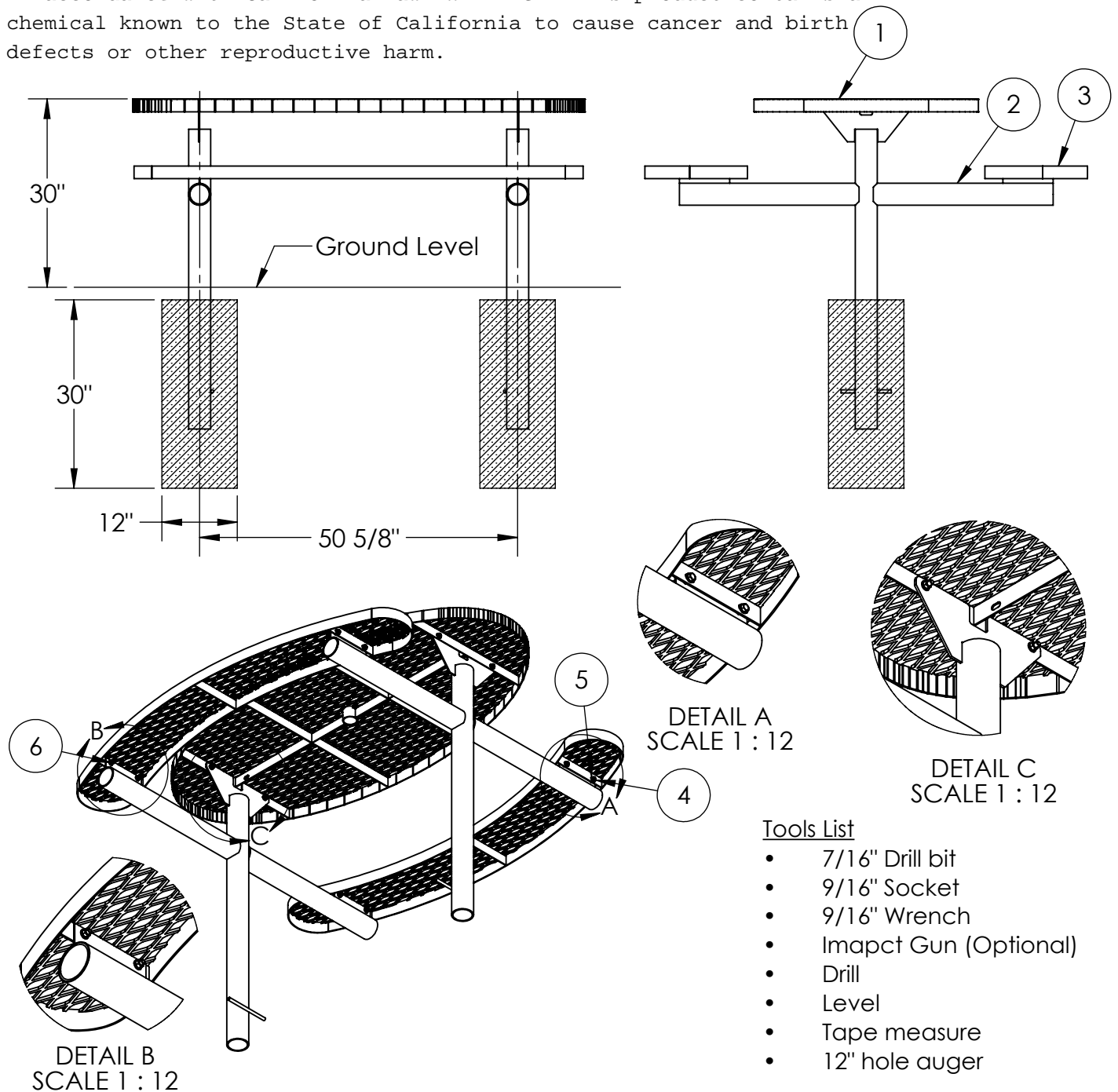




6' Oval Double Pedestal Direct Bury Expanded Table

956-302

In accordance with California law: WARNING - This product contains a chemical known to the State of California to cause cancer and birth defects or other reproductive harm.



1. Drill 2 holes in the ground per the drawing above. The holes need to be 30" deep or below the frost line in your area. Which ever is deeper.
2. Place the pedestals in the holes.
3. Drill plastic out of the mounting holes on the pedestals, top and seats using a 7/16" dia. drill bit.
4. Fasten the table top and seats to the pedestals, support and level table. Check height.
5. When the table is level and secured, fill the holes with concrete to about 2" below ground level.



PREMIER POLYSTEEL

The Best Commercial Outdoor Furniture Available. Period.

