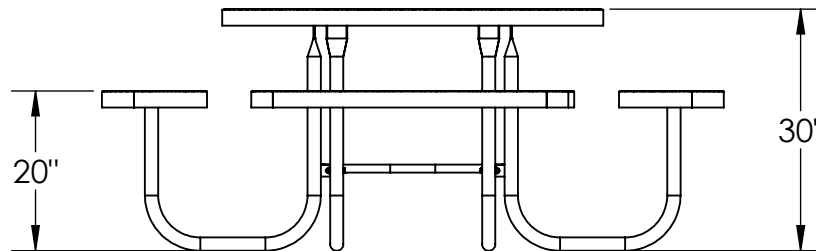
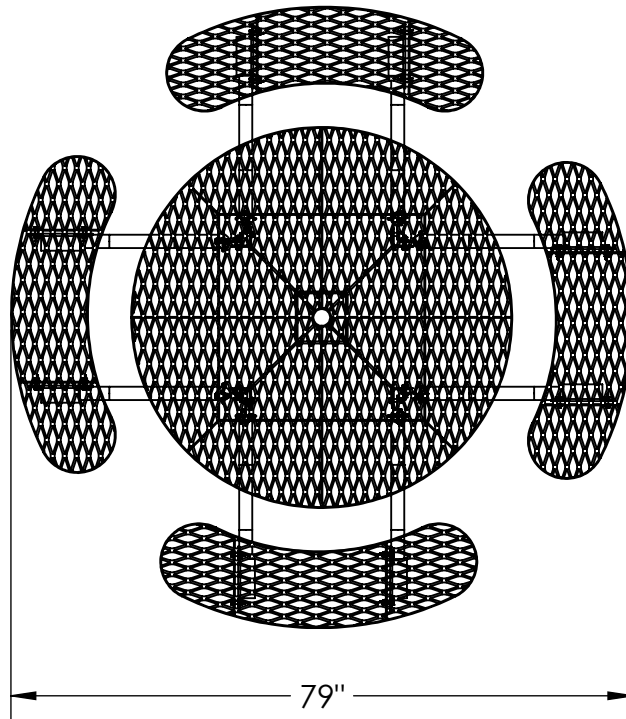


Champion 48" Round FS Table

955-101



ITEM NO.	PART NUMBER	DESCRIPTION	QTY.
1	642-R11	4' Round Table Top	1
2	622-R11	Champion Round Table Seat	4
3	634-119	Sq./Rnd Table Leg Support Bracket	1
4	634-111	Sq./Rnd Table Free Standing Leg	8
5	516-028	3/8" SS Nylock Nut	32
6	516-058	3/8"x1-1/2" SS Hex Bolt	32
7	516-023	3/8" SS Flat Washer	64

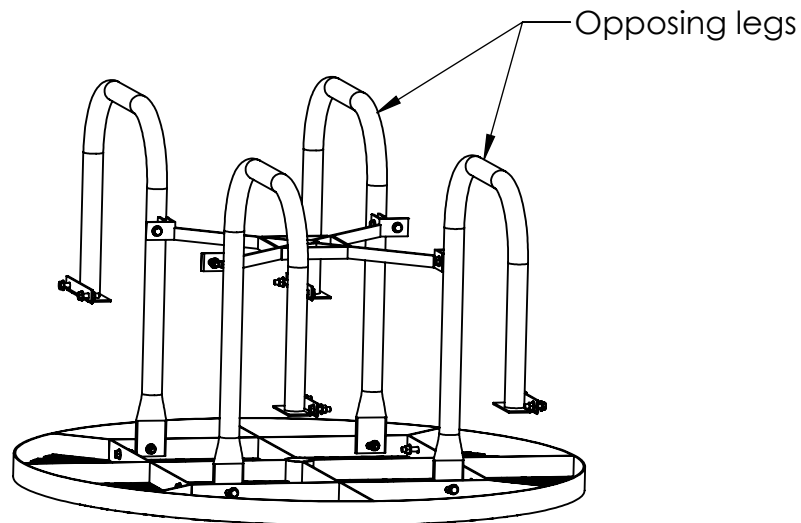


Fig. 1

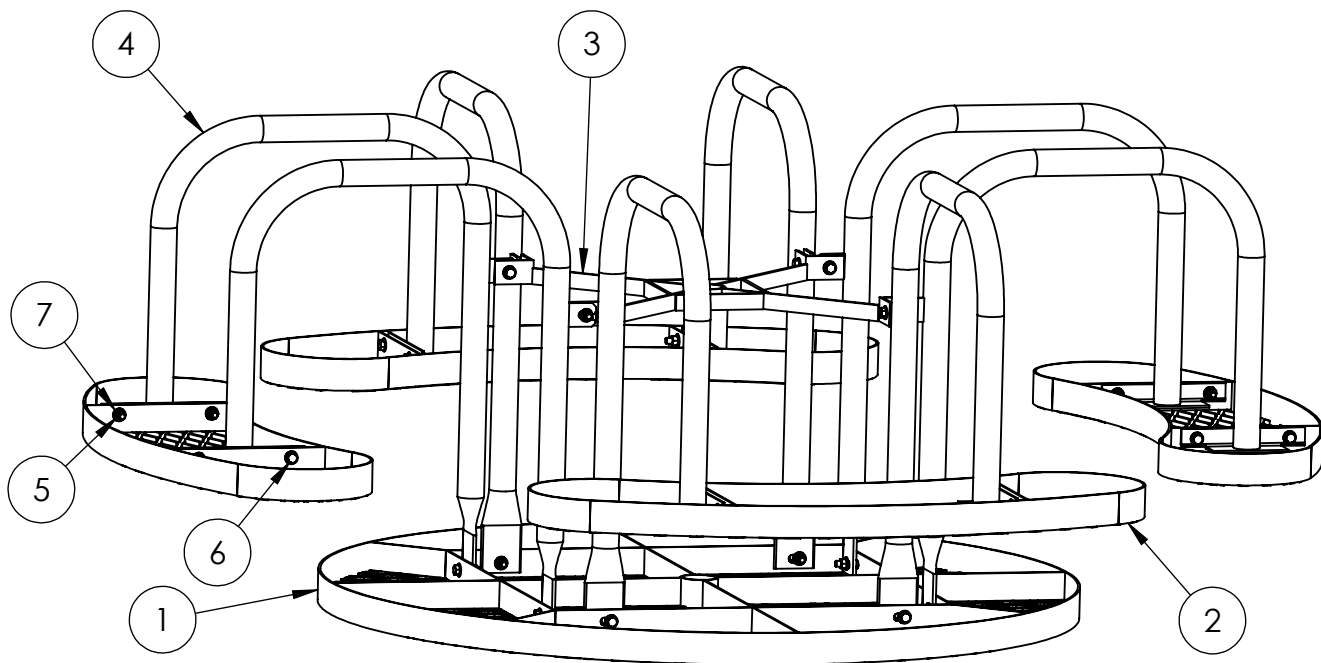


Fig. 2

1. With table top upside down bolt 2 opposing legs on to top. As shown in Fig. 1. Do not tighten the bolts now.
2. Attach "x" shaped leg brace to the 2 legs.
3. Attach the other 6 legs fastening to the "x" shaped leg brace as you go.
4. Attach seats to other end of leg. The vertical portion of the angle iron leg top bolts flush with the seat support bar.
5. Flip the table right side up, level the top and seats, and tighten all of the bolts.



PREMIER POLYSTEEL

The Best Commercial Outdoor Furniture Available. Period.

