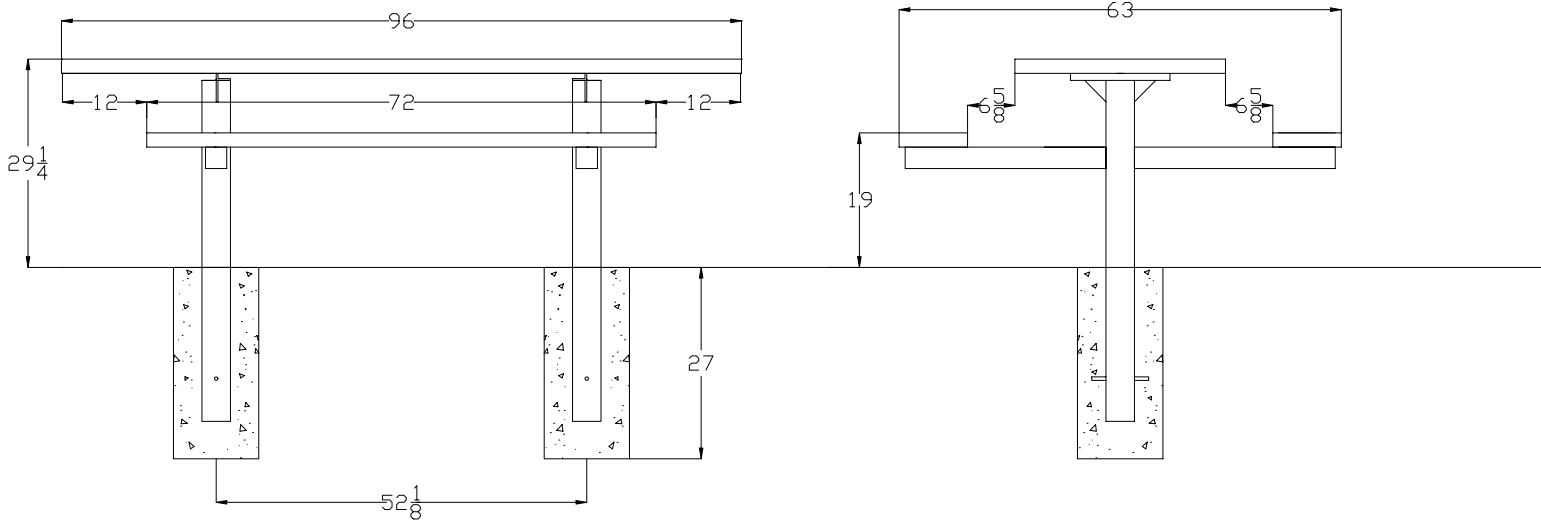




# 950-502



Part No.	Description	Qty.
642-A15	Champion Accessible Table Top 8'	1
622-013	Champion Seat/Back 6'	2
632-200	Table Pedestal Direct Bury	2
516-058	3/8" X 1-1/2" SS Hex Bolt	12
516-028	3/8" SS Nylock Nut	12
516-023	3/8" SS Flat Washer	24

- 1 Drill 2 holes in ground per the above drawing.
- 2 Place the pedestals in the holes.
- 3 Drill plastic out of the mounting holes on the pedestals, top and seats using a 7/16" dia. drill bit.
- 4 Fasten the table top to the pedestals, support and level table top. Check height.
- 5 Fasten the seats to the pedestals, support and level seats. Check height.
- 6 When the seats and top are level and secured fill the holes with concrete to about 2" below ground level.

In Accordance to California law: WARNING This product contains a chemical known to the State of California to cause cancer and birth defects or other reproductive harm.

*Periodic check of bolt tightness recommended.*



## PREMIER POLYSTEEL

The Best Commercial Outdoor Furniture Available. Period.

