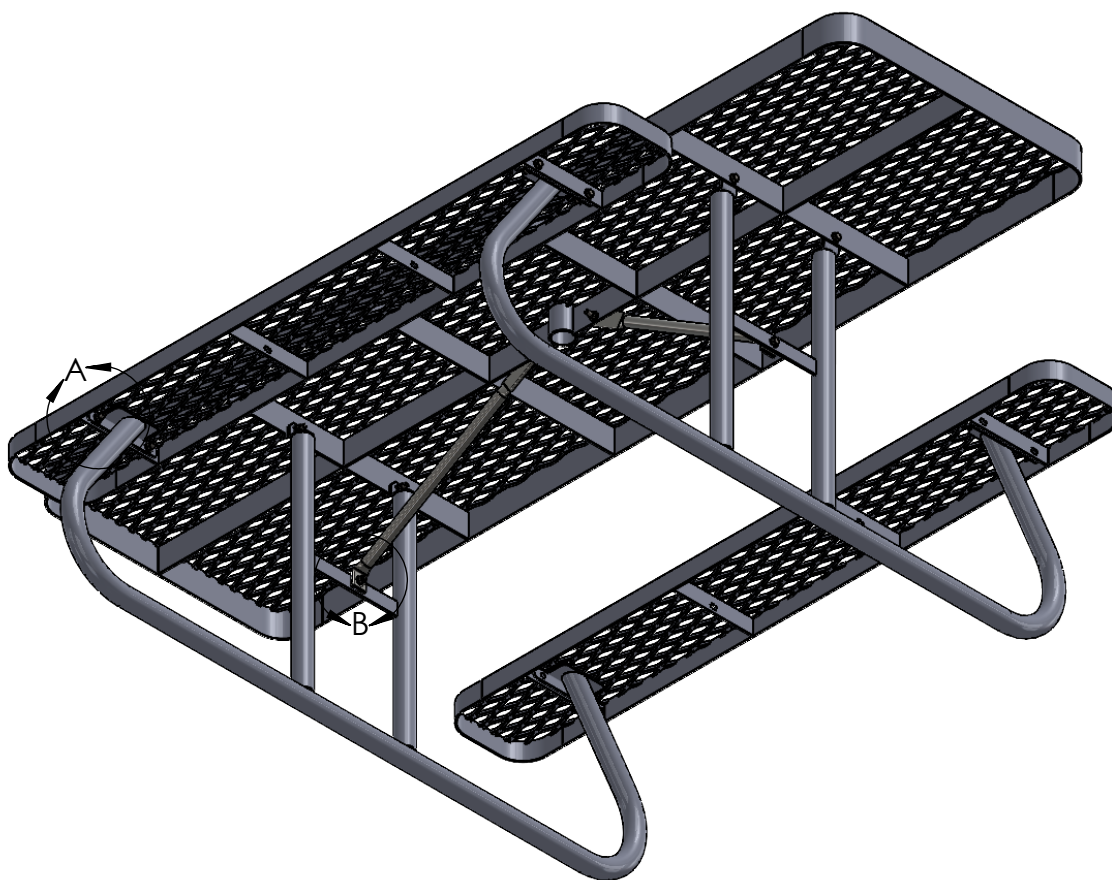
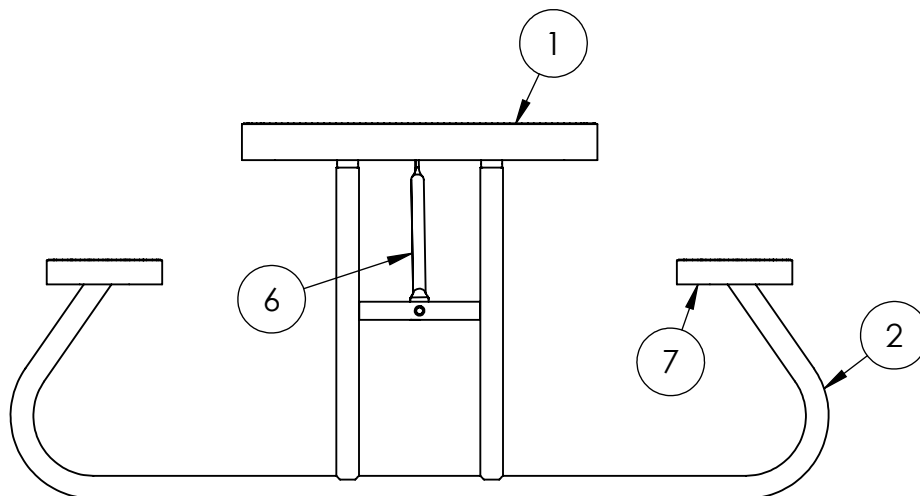




8' Champion Expanded Metal Accessible Free Standing Picnic Table 950-501



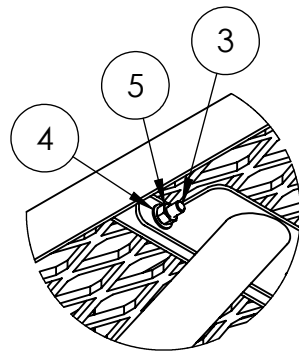
**PREMIER POLYSTEEL**

The Best Commercial Outdoor Furniture Available. Period.

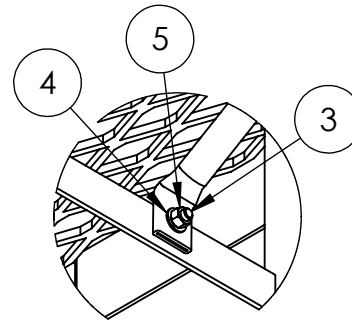


SIZE  
**A**

REV. X.01 SHEET 2 OF 3



DETAIL A  
SCALE 1 : 6



DETAIL B  
SCALE 1 : 6

1. Drill out holes.
2. Attach both stands to the inside of table support bar. (See diagram above)
3. Attach the seats to the stands.
4. Attach the straight end of each brace to the table. (See diagram above)
5. Attach bent end of both braces to the cross bar of each stand. (See diagram above)

#### Tools List

- 7/16" Drill bit
- 9/16" Socket
- 9/16" Wrench
- 7/32" Allen Wrench
- Drill

*Periodic check of bolts tightness recommended*

In accordance to California law: WARNING - This product contains a chemical known to the State of California to cause cancer and birth defects or other reproductive harm.



**PREMIER POLYSTEEL**

The Best Commercial Outdoor Furniture Available. Period.

