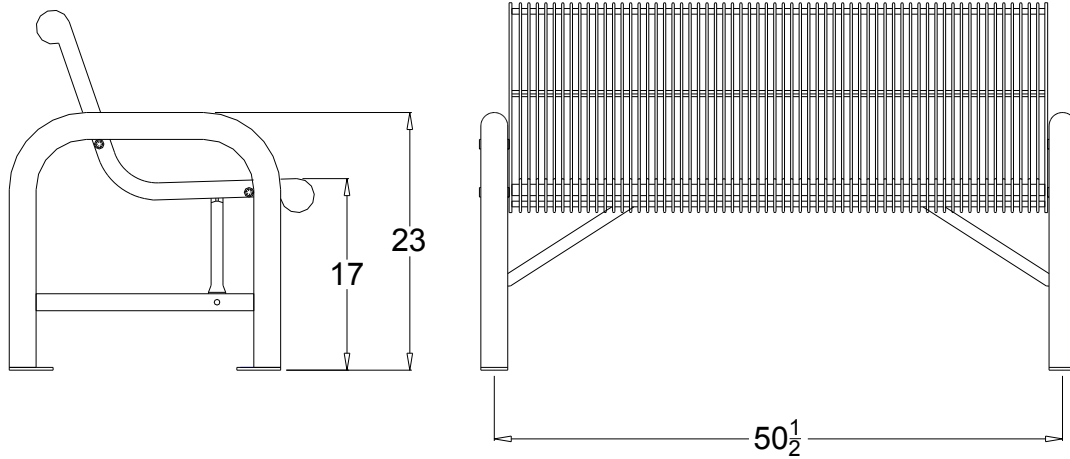




939-103



Part No.	Description	Qty.
623-004	4' Grand Contour Seat	1
733-013	Grand Contour Stand	2
631-313	Brace	2
516-033	3/8"x4" SS Button Socket Cap	4
516-058	3/8" X 1-1/2" SS Hex Bolt	4
516-028	3/8" SS Nylock Nuts	8
516-023	3/8" SS Flat Washer	16

- 1 Drill plastic out of the mounting holes on the seat, braces and stands using a 7/16" dia. drill bit.
- 2 Fasten the seat to the stands, then attach the braces to the seat and stands.
- 3 Make sure stands, seat and braces are aligned, then tighten all of the bolts.
- 4 Position bench where desired and mount to surface.

Periodic check of bolt tightness is recommended.

In Accordance to California law: WARNING This product contains a chemical known to the State of California to cause cancer and birth defects or other reproductive harm.



PREMIER POLYSTEEL
The Best Commercial Outdoor Furniture Available. Period.

