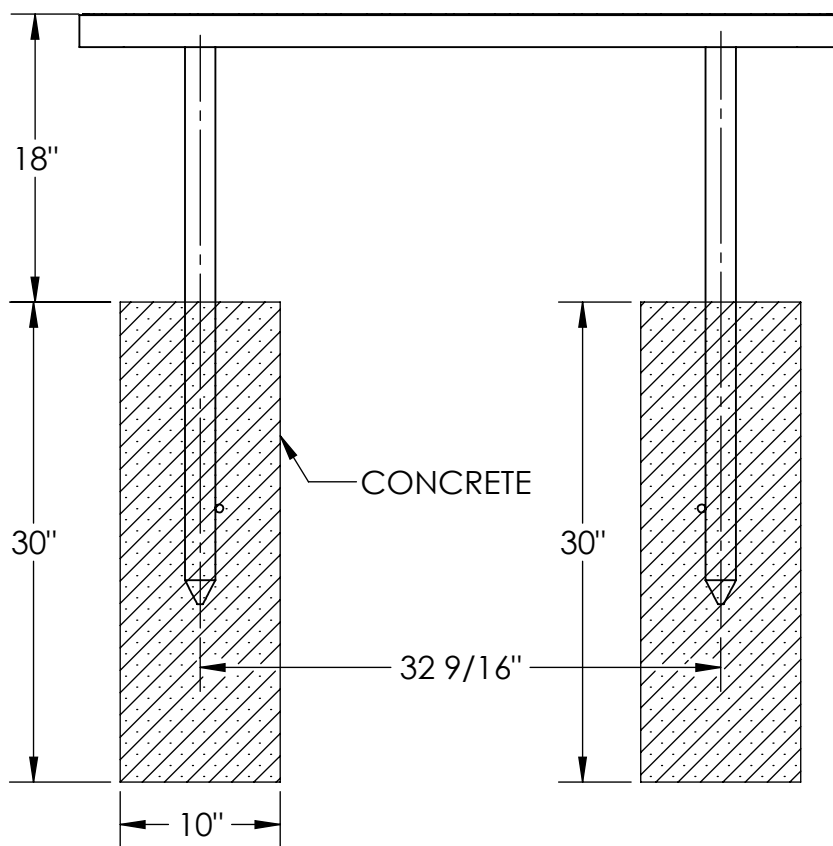
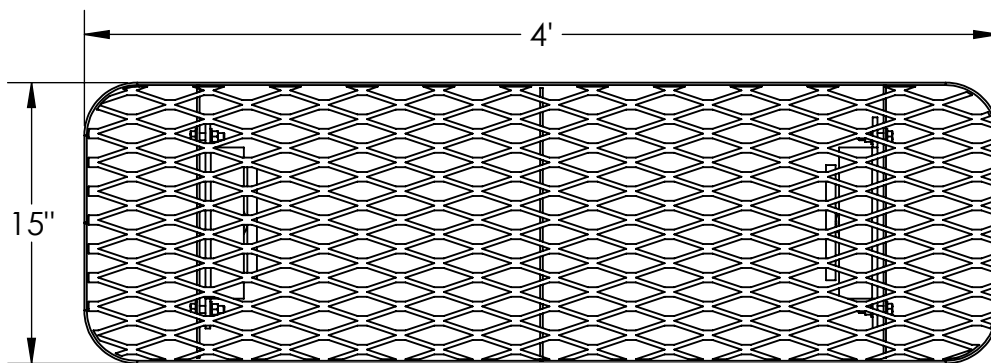




CHAMPION SUPREME 4' WITHOUT BACK, DIRECT BURY

937-102



ITEM NO.	PART NUMBER	DESCRIPTION	QTY.
1	631-120	Supreme Bench Stand DB	2
2	622-111	4' Supreme Champion Seat	1
3	516-058	3/8"x1-1/2" SS Hex Bolt	4
4	516-023	3/8" SS Flat Washer	8
5	516-028	3/8" SS Nylock Nut	4

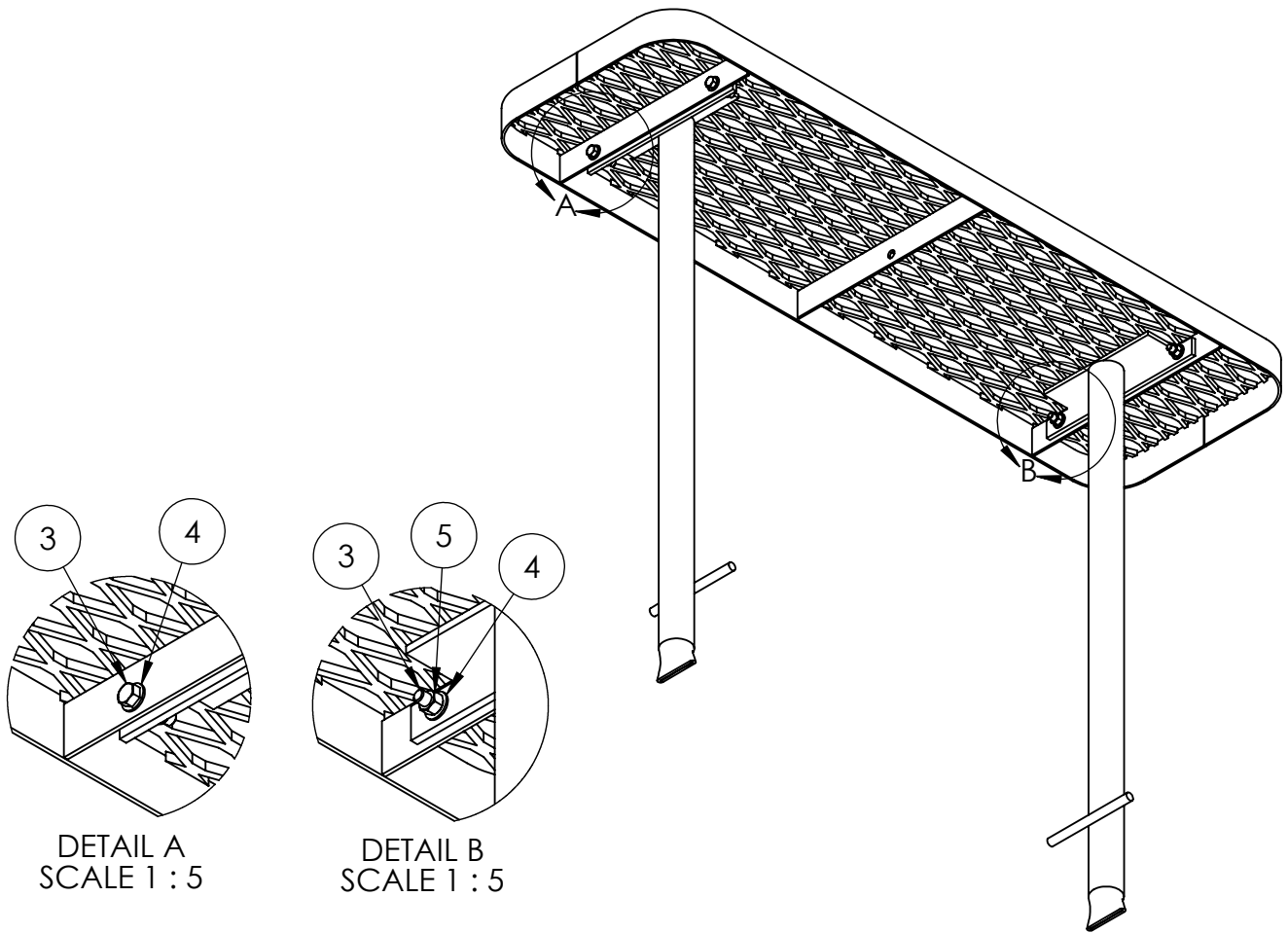


PREMIER POLYSTEEL

The Best Commercial Outdoor Furniture Available. Period.



SIZE
A



DETAIL A
SCALE 1 : 5

DETAIL B
SCALE 1 : 5

1. Drill plastic out of the mounting holes on the legs and seat using a 7/16" diameter drill bit.
2. Bolt the seat to the legs and tighten up.
3. Mark out the holes for the legs on the ground in the desired location. Drill 10" diameter holes at each location to a minimum depth of 30". You need to be below the frost line in your area.
4. Place the seat into the holes and support at the desired height. Level the seat.
5. Fill the holes with concrete and crown the top so that water will run off. Let stand for 24 hours before removing the supports.

Tools List

- 7/16" Drill bit
- 9/16" Socket
- 9/16" Wrench
- Level
- Impact Gun (Optional)
- Drill

Periodic check of bolts tightness recommended

In Accordance to California law: WARNING This product contains a chemical known to the State of California to cause cancer and birth defects or other reproductive harm.



PREMIER POLYSTEEL

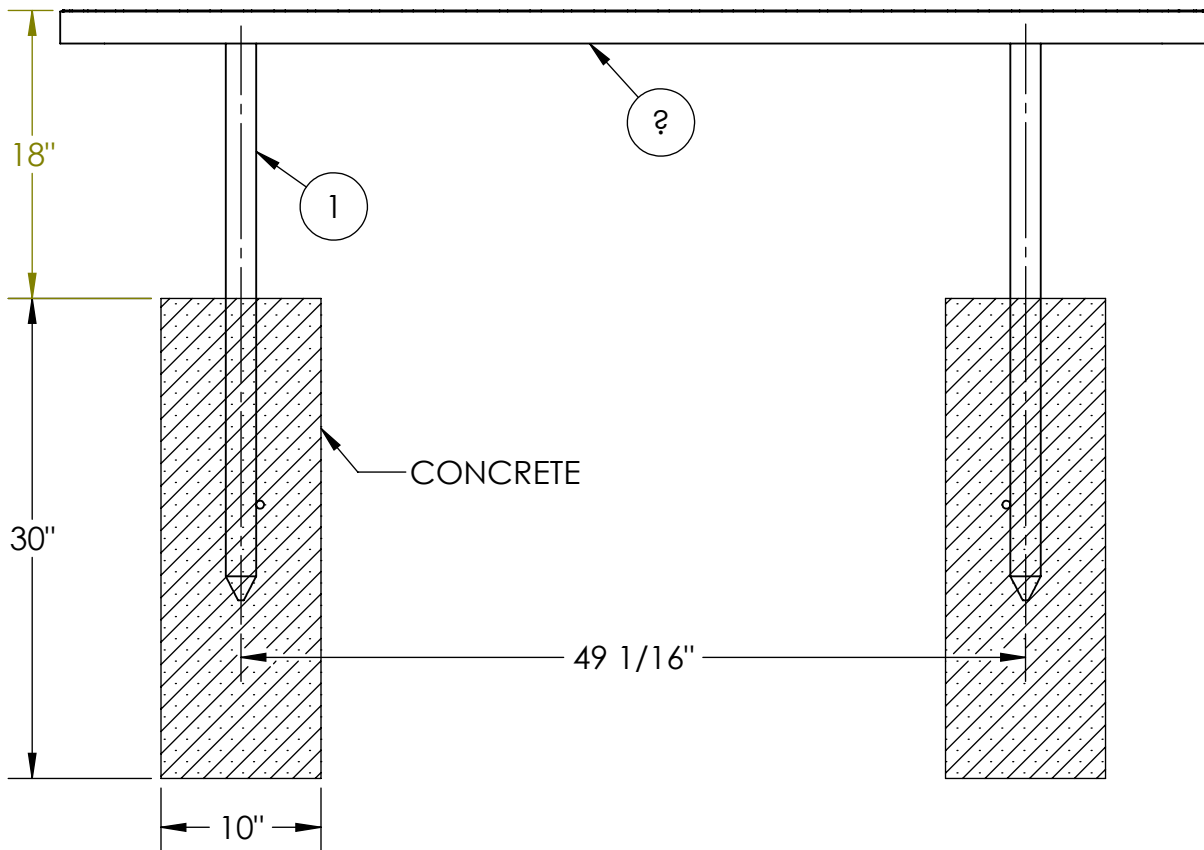
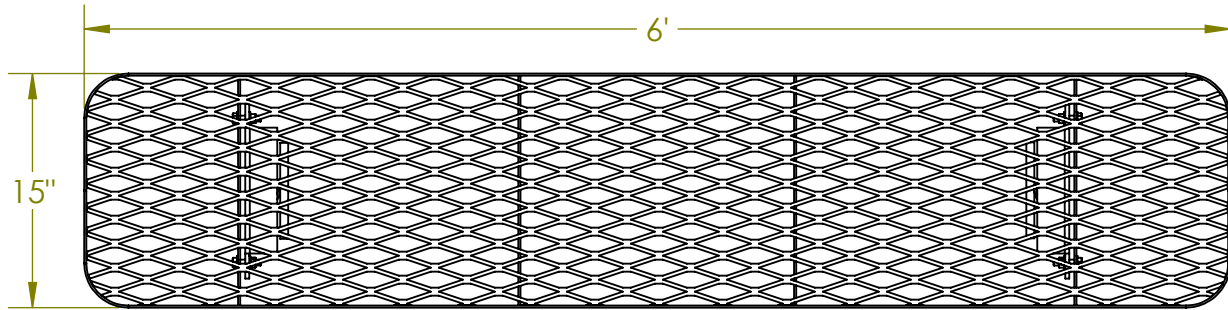
The Best Commercial Outdoor Furniture Available. Period.





CHAMPION SUPREME 6' WITHOUT BACK, DIRECT BURY

937-302



ITEM NO.	PART NUMBER	DESCRIPTION	QTY.
1	631-120	Supreme Bench Stand DB	2
2	622-113	6' SUPREME CHAMPION SEAT/BACK	1
3	516-058	3/8"x1-1/2" SS Hex Bolt	4
4	516-023	3/8" SS Flat Washer	8
5	516-028	3/8" SS Nylock Nut	4



PREMIER POLYSTEEL

The Best Commercial Outdoor Furniture Available. Period.

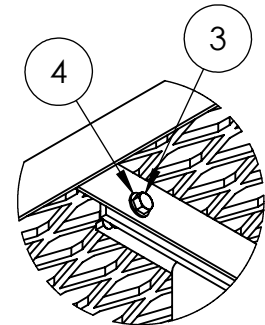
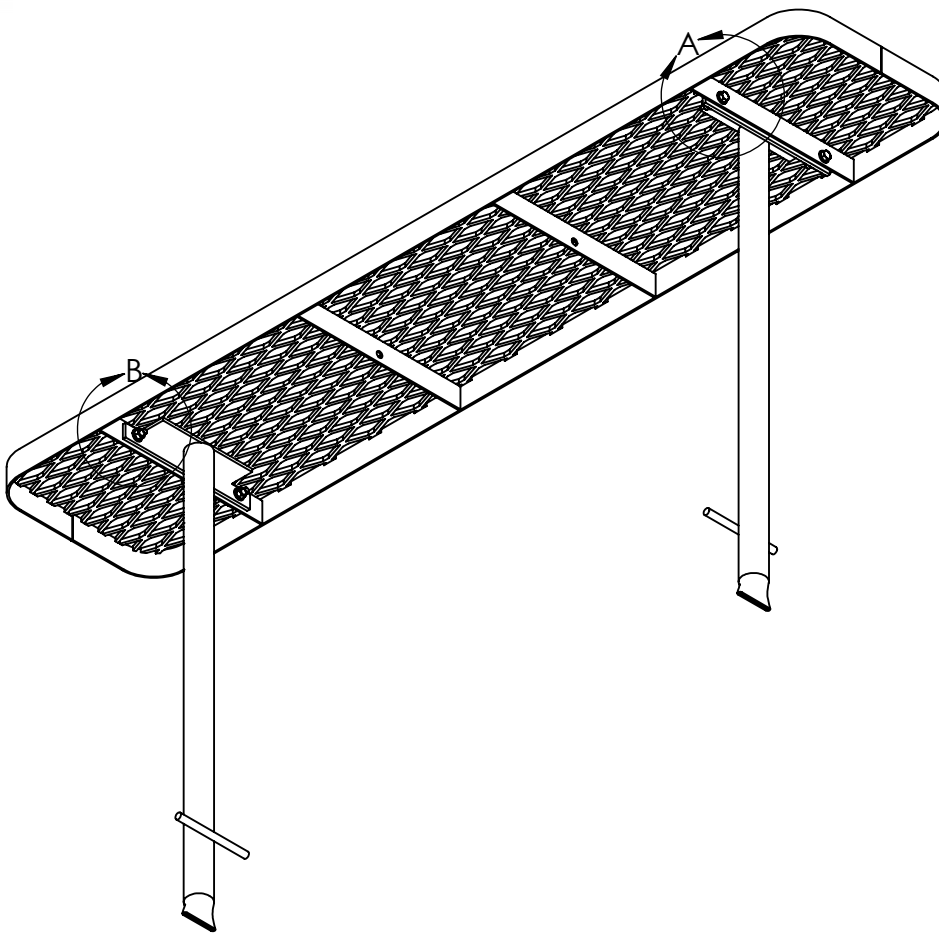


SIZE
A

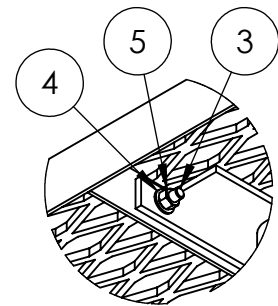


CHAMPION SUPREME 6' WITHOUT BACK, DIRECT BURY

937-302



DETAIL A
SCALE 1 : 6



DETAIL B
SCALE 1 : 6

1. Drill plastic out of the mounting holes on the legs and seat using a 7/16" diameter drill bit.
2. Bolt the seat and back to the legs and tighten up.
3. Mark out the holes for the legs on the ground in the desired location. Drill 10" diameter holes at each location to a minimum depth of 30". You need to be below the frost line in your area.
4. Place the seat into the holes and support at the desired height. Level the seat.
5. Fill the holes with concrete and crown the top so that water will run off. Let stand for 24 hours before removing the supports.

Tools List

- 7/16" Drill bit
- 9/16" Socket
- 9/16" Wrench
- Level
- Impact Gun (Optional)
- Drill

Periodic check of bolts tightness recommended

In Accordance to California law: WARNING This product contains a chemical known to the State of California to cause cancer and birth defects or other reproductive harm.



PREMIER POLYSTEEL

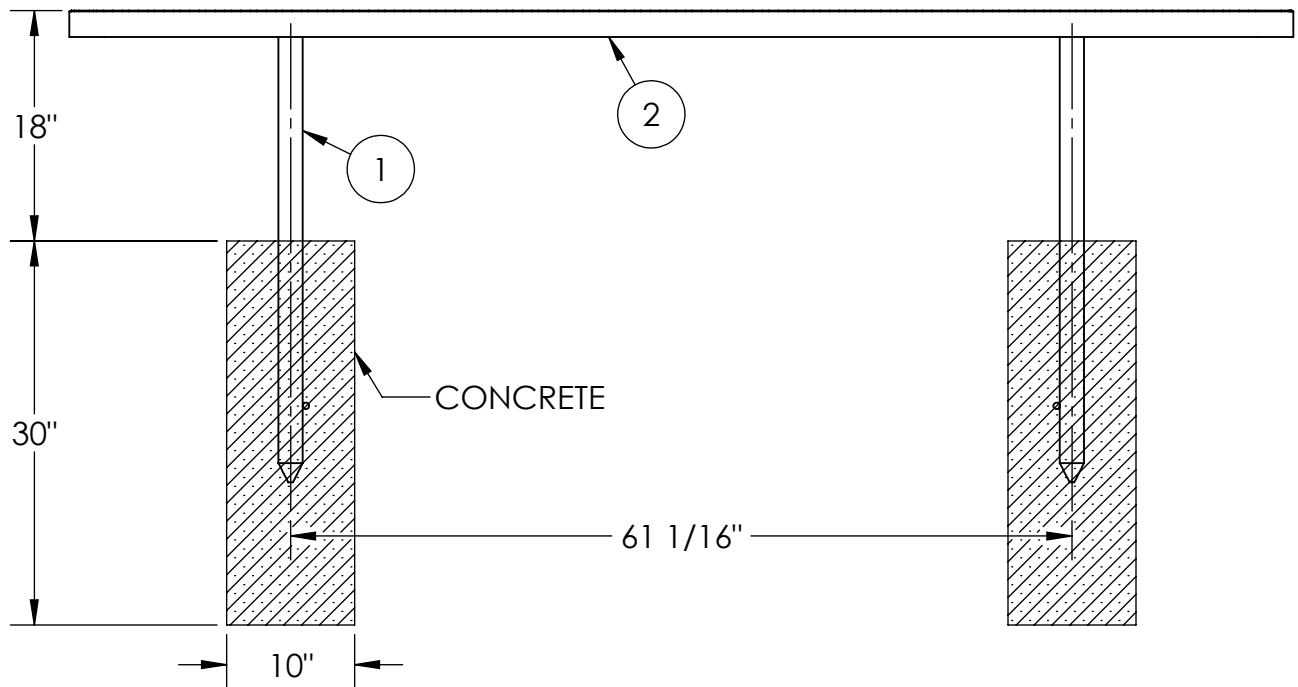
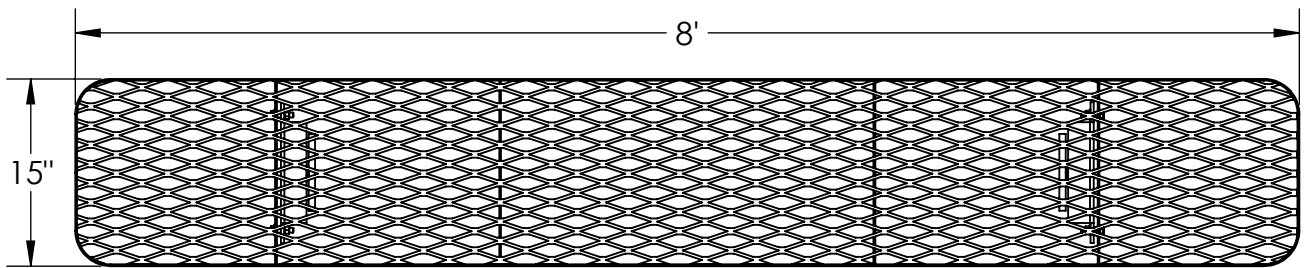
The Best Commercial Outdoor Furniture Available. Period.





CHAMPION SUPREME 8' WITHOUT BACK, DIRECT BURY

937-502



ITEM NO.	PART NUMBER	DESCRIPTION	QTY.
1	631-120	Supreme Bench Stand DB	2
2	622-115	8' Supreme Champ Seat/Back	1
3	516-058	3/8"x1-1/2" SS Hex Bolt	4
4	516-023	3/8" SS Flat Washer	8
5	516-028	3/8" SS Nylock Nut	4

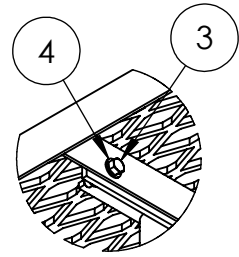
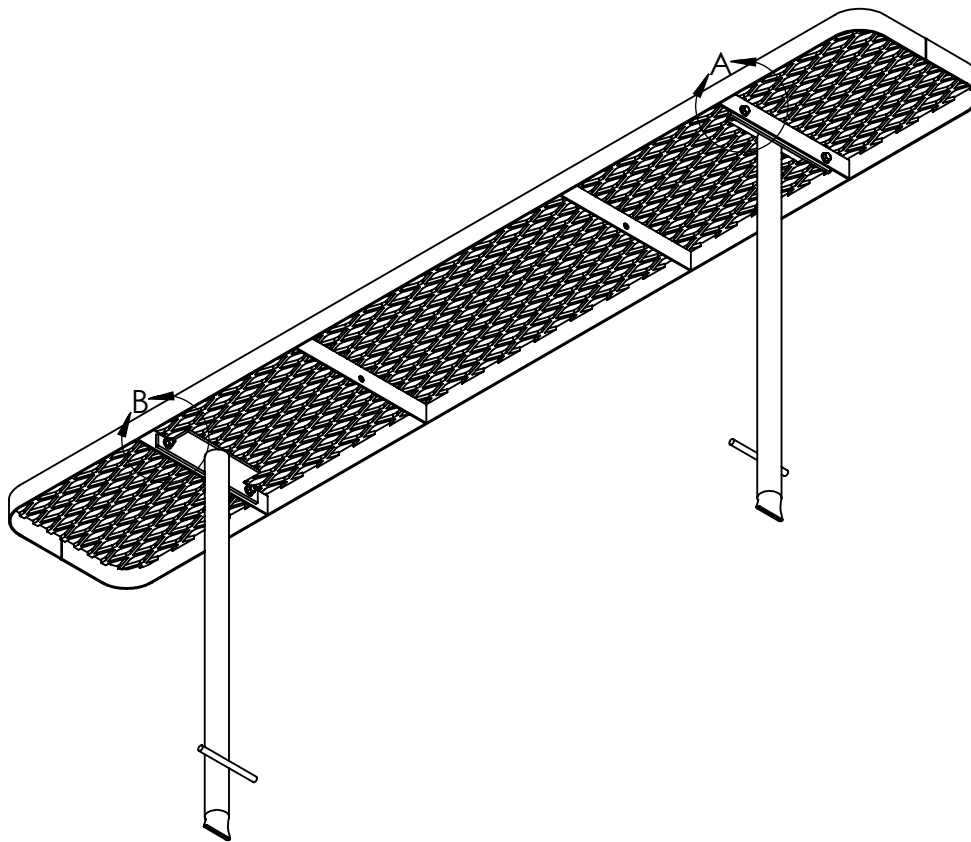


PREMIER POLYSTEEL

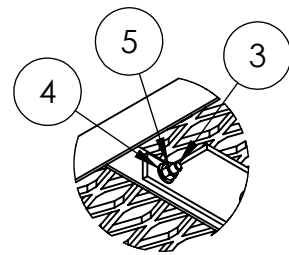
The Best Commercial Outdoor Furniture Available. Period.



SIZE
A



DETAIL A
SCALE 2 : 15



DETAIL B
SCALE 2 : 15

1. Drill plastic out of the mounting holes on the legs, seat and back using a 7/16" diameter drill bit.
2. Bolt the seat and back to the legs and tighten up.
3. Mark out the holes for the legs on the ground in the desired location. Drill 10" diameter holes at each location to a minimum depth of 30". You need to be below the frost line in your area.
4. Place the seat into the holes and support at the desired height. Level the seat.
5. Fill the holes with concrete and crown the top so that water will run off. Let stand for 24 hours before removing the supports.

Tools List

- 7/16" Drill bit
- 9/16" Socket
- 9/16" Wrench
- Level
- Impact Gun (Optional)
- Drill

Periodic check of bolts tightness recommended

In Accordance to California law: WARNING This product contains a chemical known to the State of California to cause cancer and birth defects or other reproductive harm.



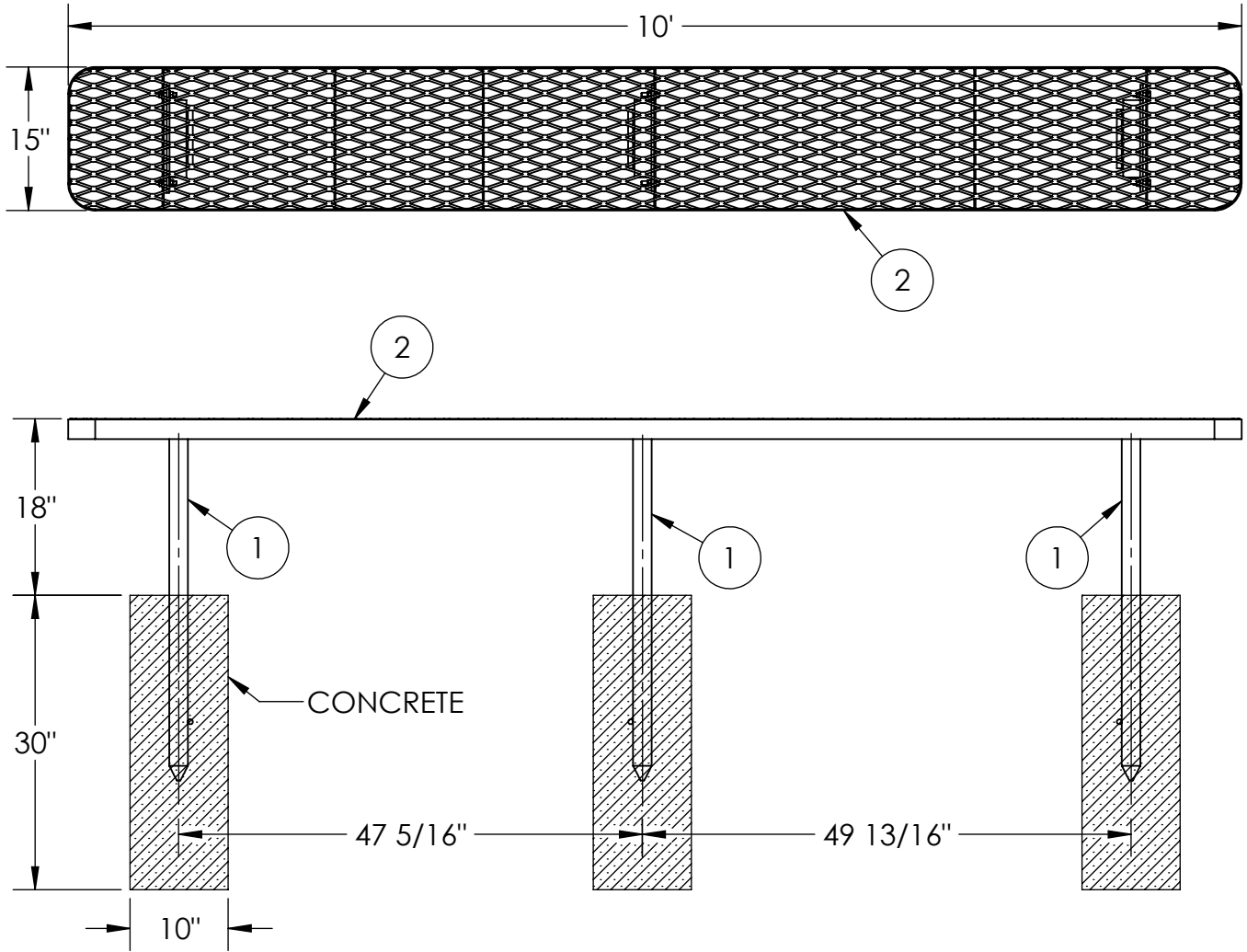
PREMIER POLYSTEEL

The Best Commercial Outdoor Furniture Available. Period.



10' Champion Supreme Expanded Metal Direct Bury Bench without Back

937-602



ITEM NO.	PART NUMBER	DESCRIPTION	QTY.
1	631-120	Supreme Bench Stand DB	3
2	622-116	10' CHAMPION SUPREME SEAT/BACK	1
3	516-058	3/8"x1-1/2" SS Hex Bolt	6
4	516-023	3/8" SS Flat Washer	12
5	516-028	3/8" SS Nylock Nut	6



PREMIER POLYSTEEL

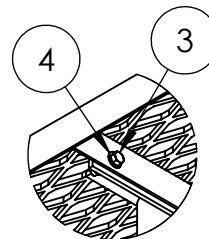
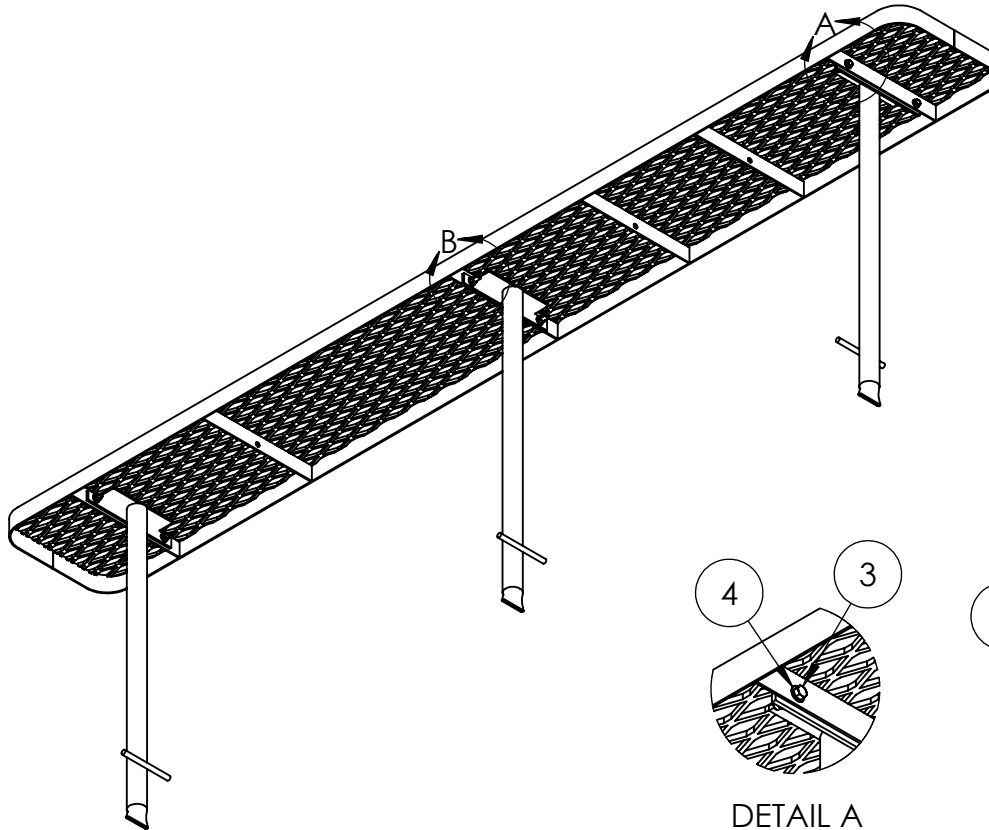
The Best Commercial Outdoor Furniture Available. Period.



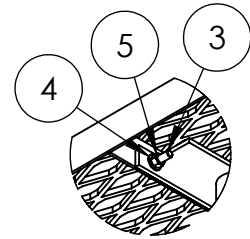
SIZE
A

10' Champion Supreme Expanded Metal Direct Bury Bench without Back

937-602



DETAIL A
SCALE 1 : 9



DETAIL B
SCALE 1 : 9

1. Drill plastic out of the mounting holes on the legs and seat using a 7/16" diameter drill bit.
2. Bolt the seat and back to the legs and tighten up.
3. Mark out the holes for the legs on the ground in the desired location. Drill 10" diameter holes at each location to a minimum depth of 30". You need to be below the frost line in your area.
4. Place the seat into the holes and support at the desired height. Level the seat.
5. Fill the holes with concrete and crown the top so that water will run off. Let stand for 24 hours before removing the supports.

Tools List

- 7/16" Drill bit
- 9/16" Socket
- 9/16" Wrench
- Level
- Impact Gun (Optional)
- Drill

Periodic check of bolts tightness recommended

In accordance to California law: WARNING - This product contains a chemical known to the State of California to cause cancer and birth defects or other reproductive harm.



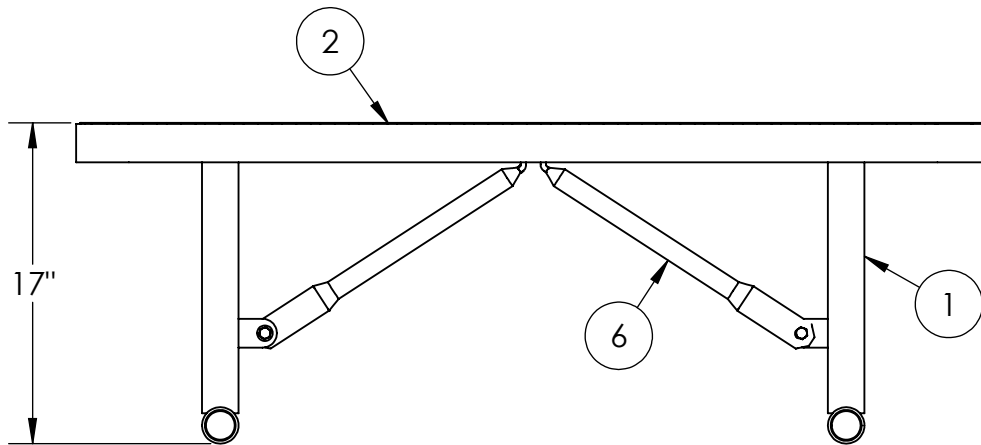
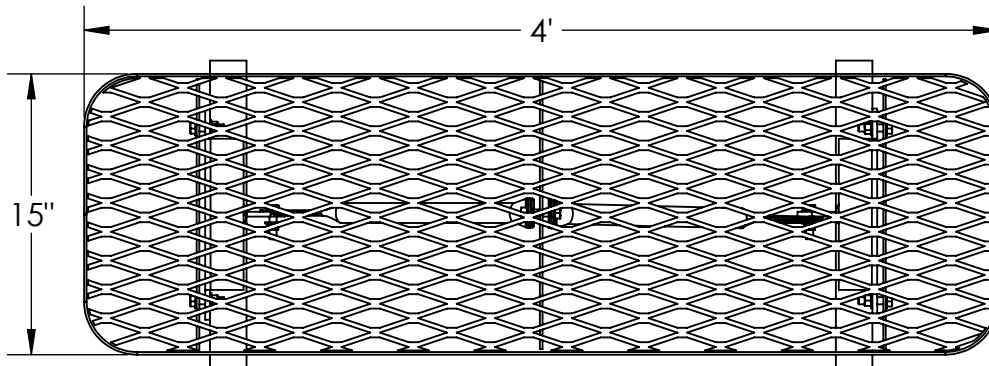
PREMIER POLYSTEEL

The Best Commercial Outdoor Furniture Available. Period.



SIZE
A

REV. X.01 | SHEET 2 OF 2



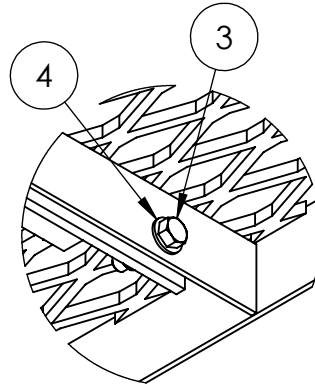
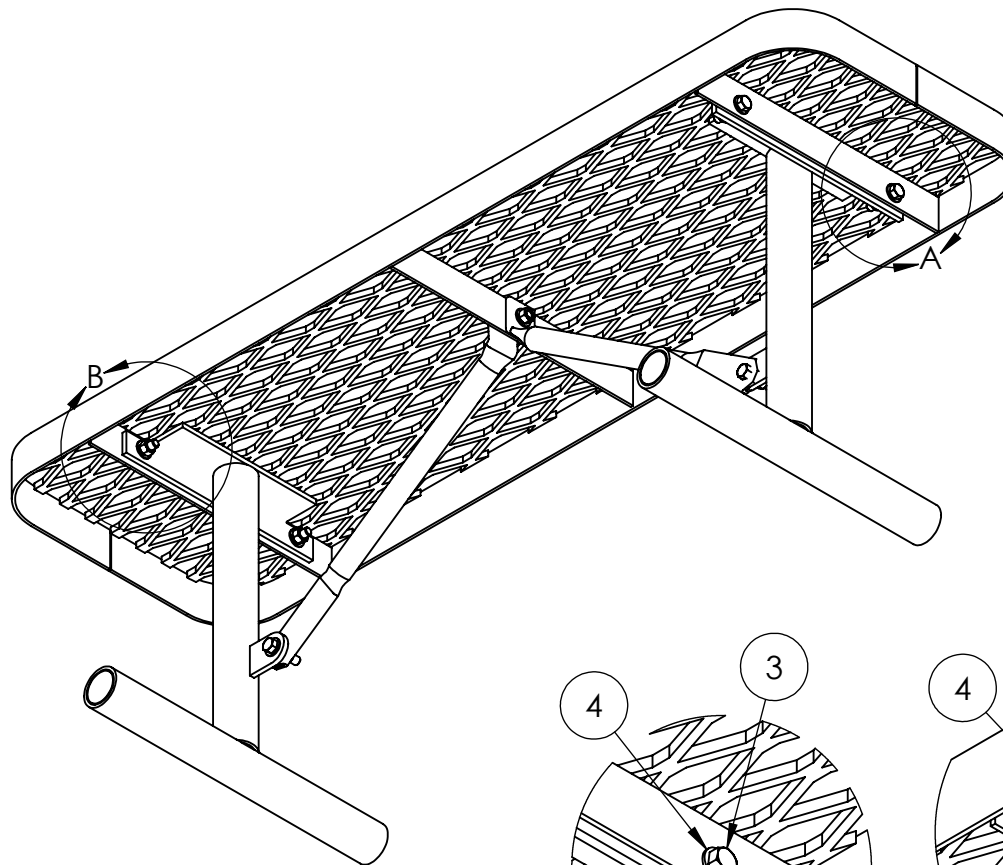
ITEM NO.	PART NUMBER	DESCRIPTION	QTY.
1	631-110	Supreme Bench Without Back Stand FS	2
2	622-111	4' Supreme Champion Seat	1
3	516-058	3/8"x1-1/2" SS Hex Bolt	7
4	516-023	3/8" SS Flat Washer	14
5	516-028	3/8" SS Nylock Nut	7
6	631-313	BRACE	2



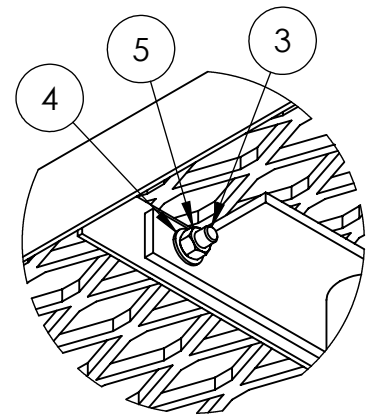
PREMIER POLYSTEEL

The Best Commercial Outdoor Furniture Available. Period.





DETAIL A
SCALE 1 : 4



DETAIL B
SCALE 1 : 4

1. Drill plastic out of the mounting holes on the seat, stands and braces using a 7/16" diameter drill bit.
2. Bolt the seat to the stand and braces loosely using fixings provided. Set on level surface and tighten up.

Tools List

- 7/16" Drill bit
- 9/16" Socket
- 9/16" Wrench
- Impact Gun (Optional)
- Drill

Periodic check of bolts tightness recommended

In Accordance to California law: WARNING This product contains a chemical known to the State of California to cause cancer and birth defects or other reproductive harm.



PREMIER POLYSTEEL

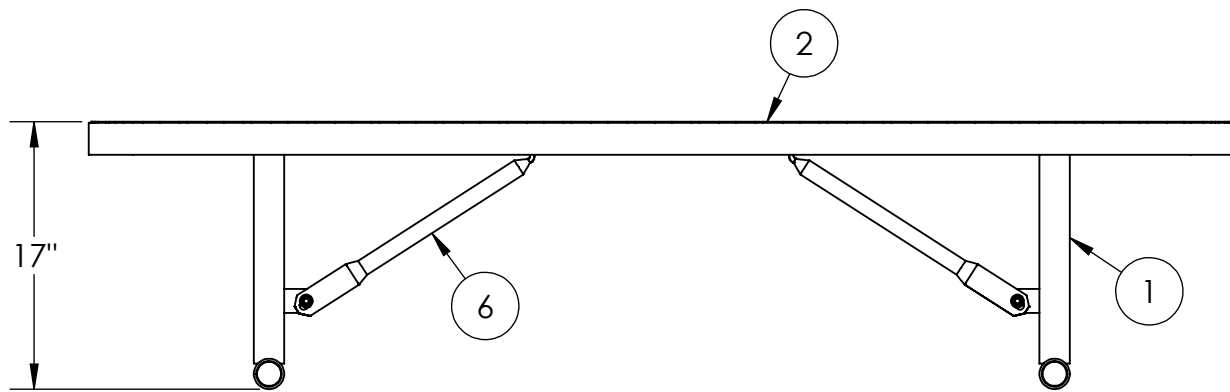
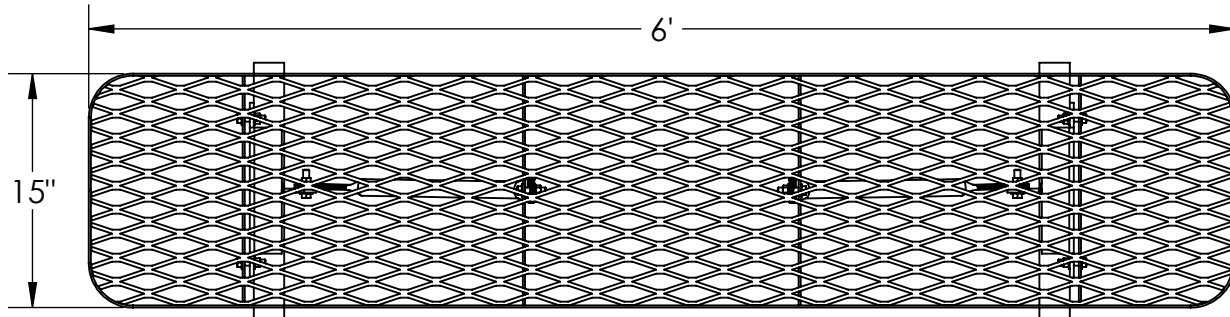
The Best Commercial Outdoor Furniture Available. Period.





CHAMPION SUPREME 6' WITHOUT BACK, FREE STANDING

937-301



ITEM NO.	PART NUMBER	DESCRIPTION	QTY.
1	631-110	Supreme Bench Without Back Stand FS	2
2	622-113	6' SUPREME CHAMPION SEAT/BACK	1
3	516-058	3/8"x1-1/2" SS Hex Bolt	8
4	516-023	3/8" SS Flat Washer	16
5	516-028	3/8" SS Nylock Nut	8
6	631-313A	Brace for FS Bench	2

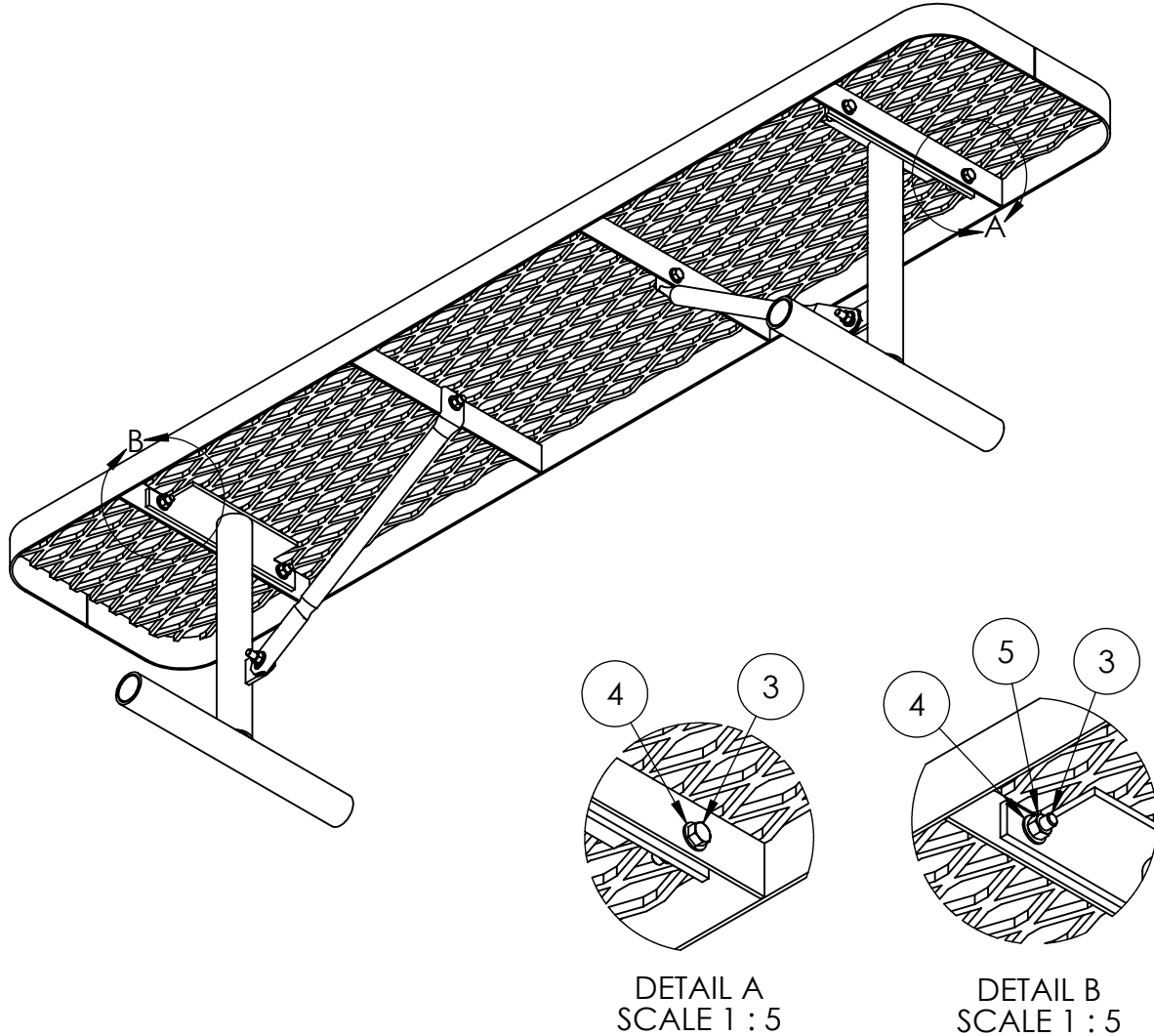


PREMIER POLYSTEEL

The Best Commercial Outdoor Furniture Available. Period.



SIZE
A



1. Drill plastic out of the mounting holes on the seat, stands and braces using a 7/16" diameter drill bit.
2. Bolt the seat to the stand and braces loosely using fixings provided. Set on level surface and tighten up.

Tools List

- 7/16" Drill bit
- 9/16" Socket
- 9/16" Wrench
- Impact Gun (Optional)
- Drill

Periodic check of bolts tightness recommended

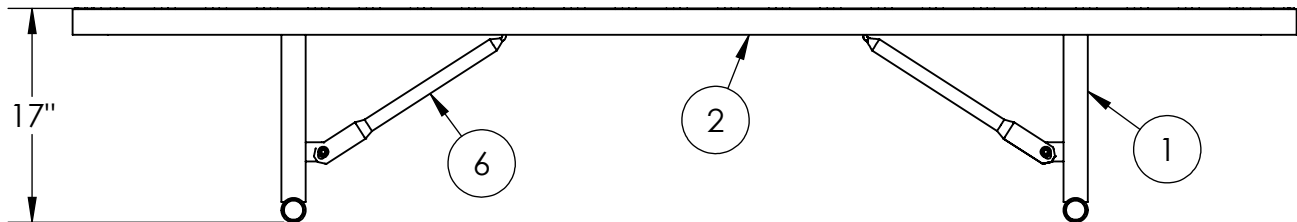
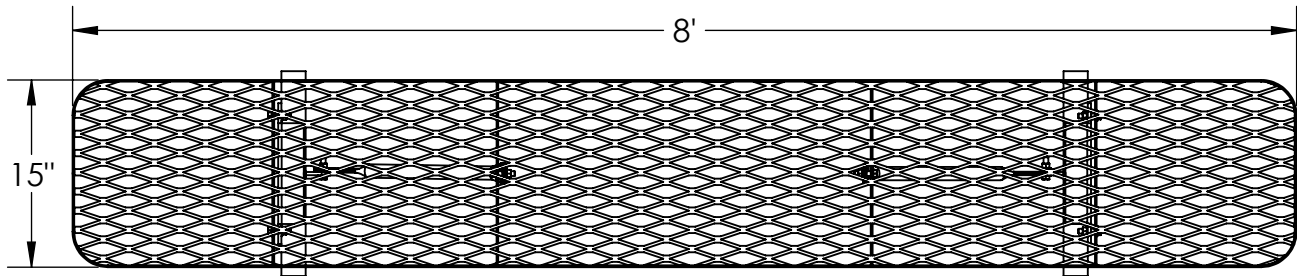
In Accordance to California law: WARNING This product contains a chemical known to the State of California to cause cancer and birth defects or other reproductive harm.



PREMIER POLYSTEEL

The Best Commercial Outdoor Furniture Available. Period.





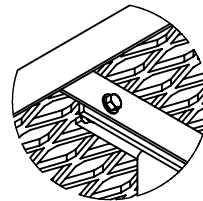
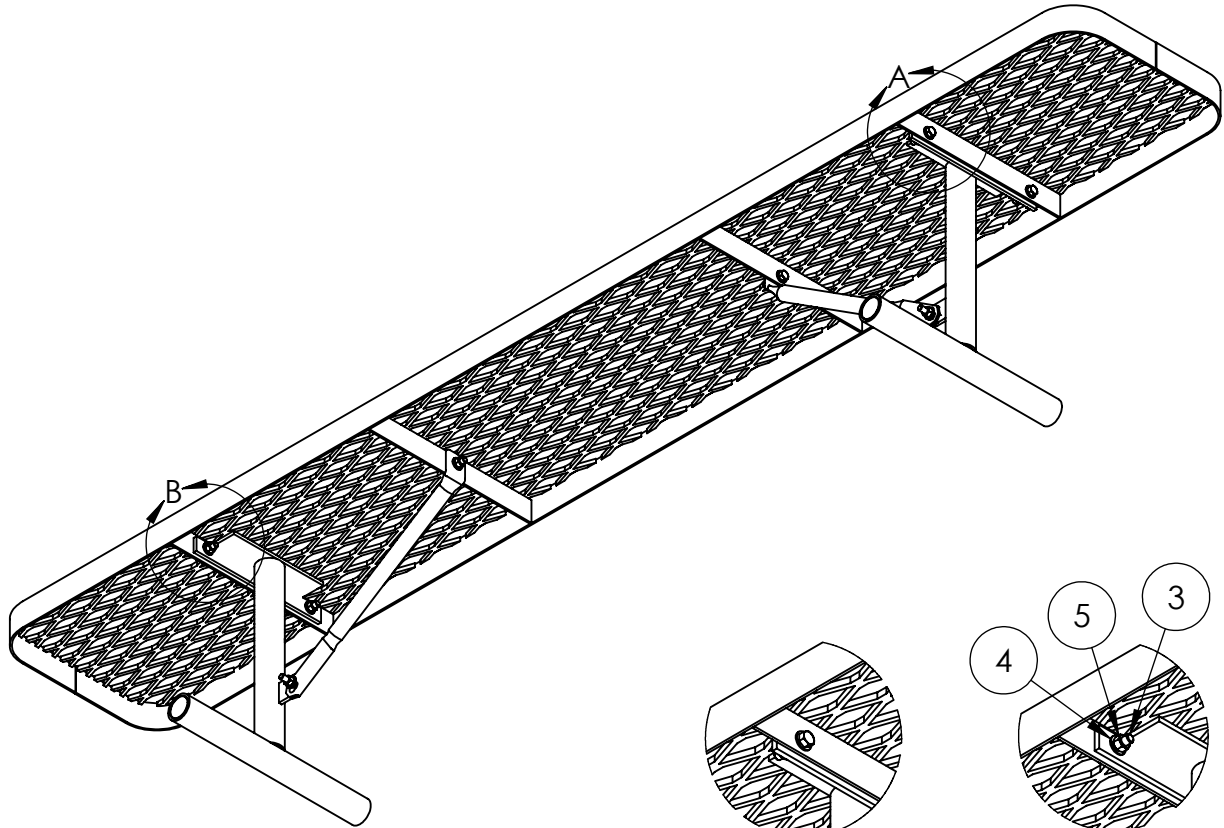
ITEM NO.	PART NUMBER	DESCRIPTION	QTY.
1	631-110	Supreme Bench Without Back Stand FS	2
2	622-115	8' Supreme Champ Seat/Back	1
3	516-058	3/8"x1-1/2" SS Hex Bolt	8
4	516-023	3/8" SS Flat Washer	16
5	516-028	3/8" SS Nylock Nut	8
6	631-313A	Brace for FS Bench	2



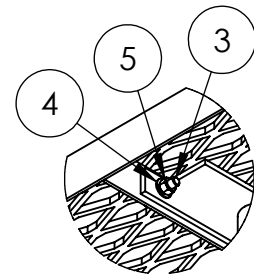
PREMIER POLYSTEEL

The Best Commercial Outdoor Furniture Available. Period.





DETAIL A
SCALE 2 : 15



DETAIL B
SCALE 2 : 15

1. Drill plastic out of the mounting holes on the seat, stands and braces using a 7/16" diameter drill bit.
2. Bolt the seat to the stand and braces loosely using fixings provided. Set on level surface and tighten up.

Tools List

- 7/16" Drill bit
- 9/16" Socket
- 9/16" Wrench
- Impact Gun (Optional)
- Drill

Periodic check of bolts tightness recommended

In Accordance to California law: WARNING This product contains a chemical known to the State of California to cause cancer and birth defects or other reproductive harm.



PREMIER POLYSTEEL

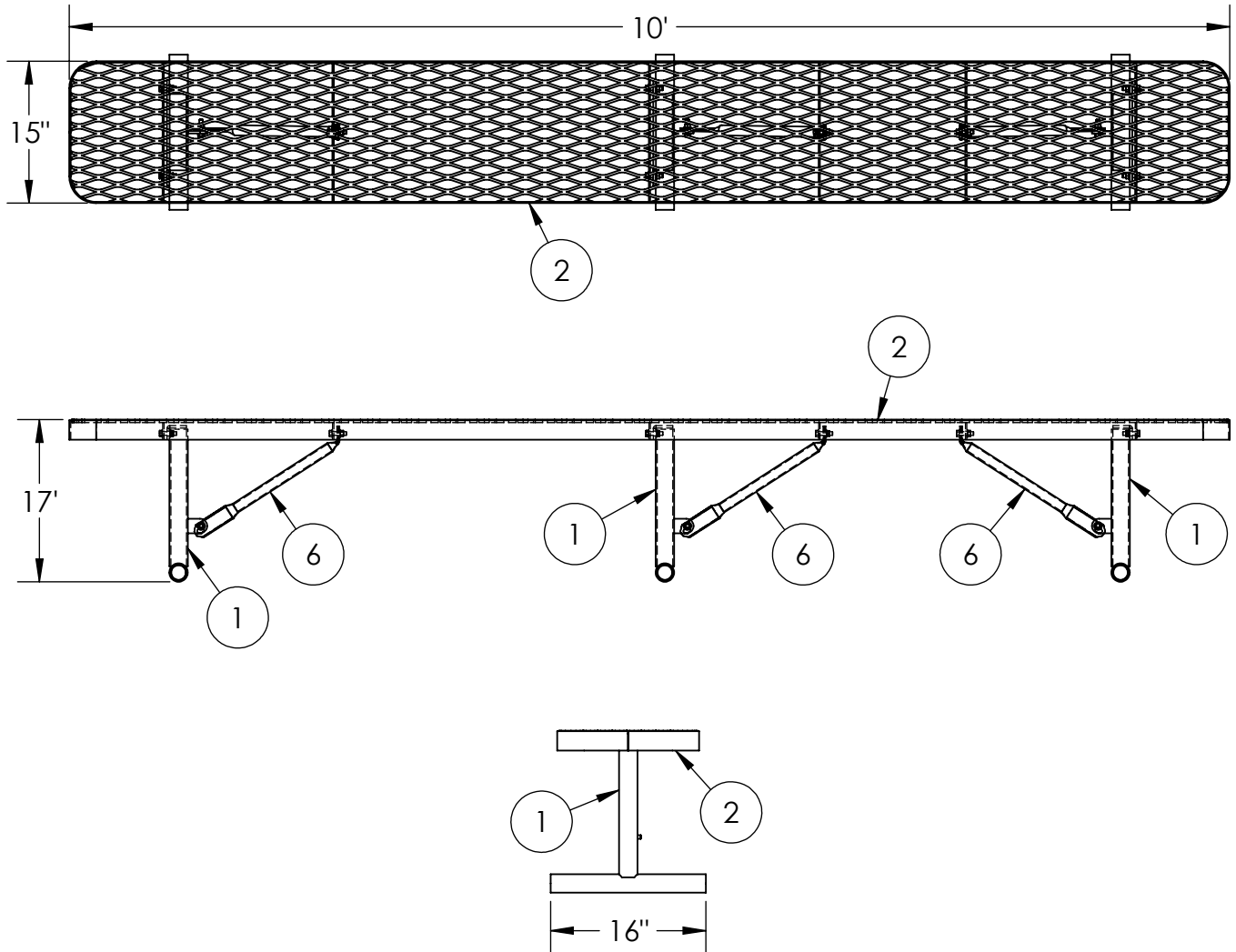
The Best Commercial Outdoor Furniture Available. Period.





10' Champion Supreme Expanded Metal Free Standing Bench without Back

937-601



ITEM NO.	PART NUMBER	DESCRIPTION	QTY.
1	631-110	Supreme Bench Without Back Stand FS	3
2	622-116	10' CHAMPION SUPREME SEAT/BACK	1
3	516-058	3/8"x1-1/2" SS Hex Bolt	12
4	516-023	3/8" SS Flat Washer	24
5	516-028	3/8" SS Nylock Nut	12
6	631-313A	Brace for FS Bench	3



PREMIER POLYSTEEL

The Best Commercial Outdoor Furniture Available. Period.

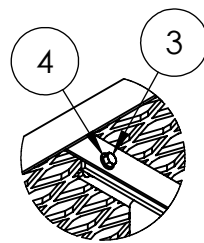
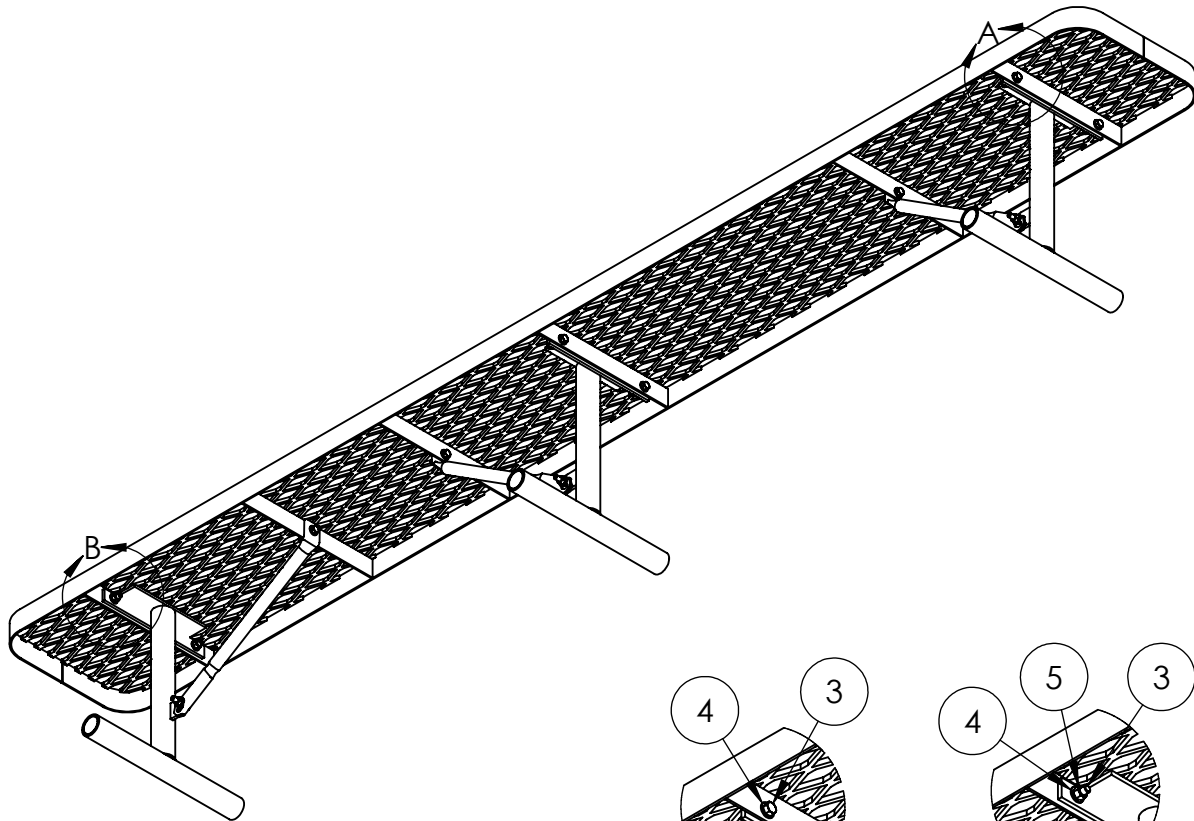


SIZE
A

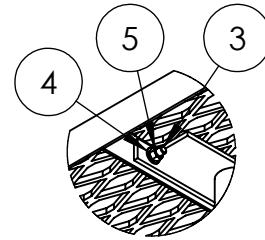


10' Champion Supreme Expanded Metal Free Standing Bench
without Back

937-601



DETAIL A
SCALE 1 : 9



DETAIL B
SCALE 1 : 9

1. Drill plastic out of the mounting holes on the seat, stands and braces using a 7/16" diameter drill bit.
2. Bolt the seat to the stand and braces loosely using fixings provided. Set on level surface and tighten up.

Tools List

- 7/16" Drill bit
- 9/16" Socket
- 9/16" Wrench
- 7/32" Allen Wrench
- Drill

Periodic check of bolts tightness recommended

In accordance to California law: **WARNING** - This product contains a chemical known to the State of California to cause cancer and birth defects or other reproductive harm.



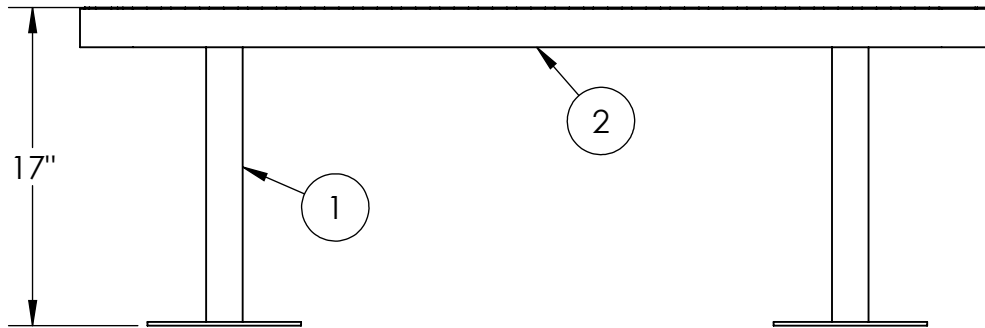
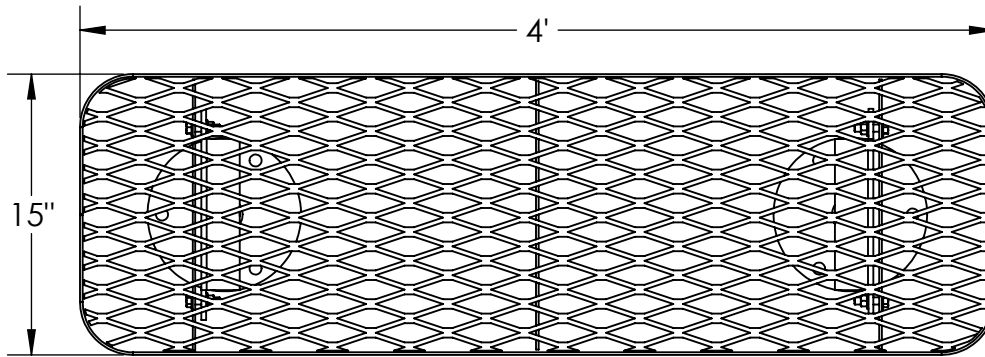
PREMIER POLYSTEEL

The Best Commercial Outdoor Furniture Available. Period.



SIZE
A

REV. X.01 | SHEET 2 OF 2



1. Drill plastic out of the mounting holes on the stands and seats using a 7/16" diameter drill bit.
2. Attach seat to the stands with fixings provided and tighten up.
3. Stand the bench in its final location and mark out base holes.
4. Move the bench to a safe place and drill holes.
5. Place the bench back, level and secure down using appropriate fixings for the ground material.

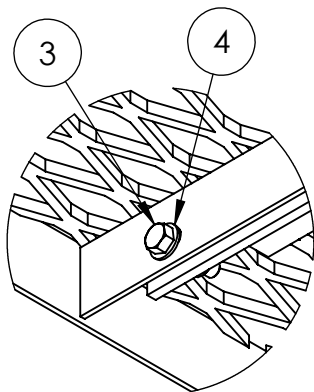
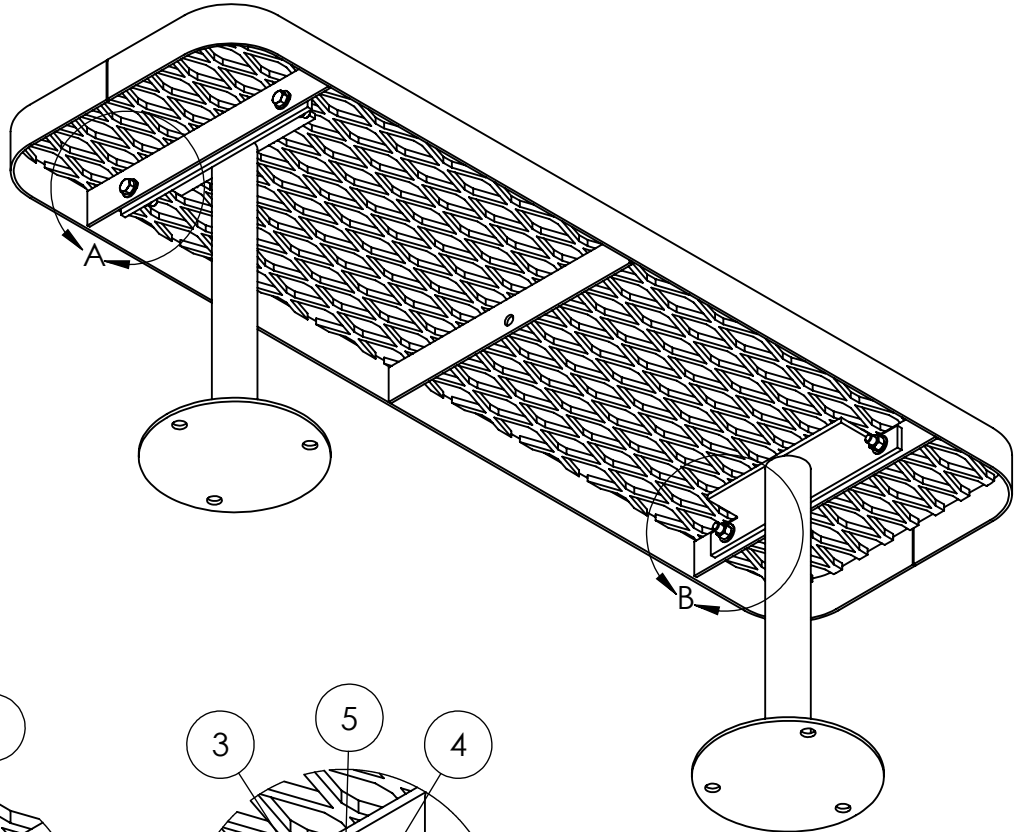
ITEM NO.	PART NUMBER	DESCRIPTION	QTY.
1	633-111	Supreme Bench Without Back stand SM	2
2	622-111	4' Supreme Champion Seat	1
3	516-058	3/8"x1-1/2" SS Hex Bolt	4
4	516-023	3/8" SS Flat Washer	8
5	516-028	3/8" SS Nylock Nut	4



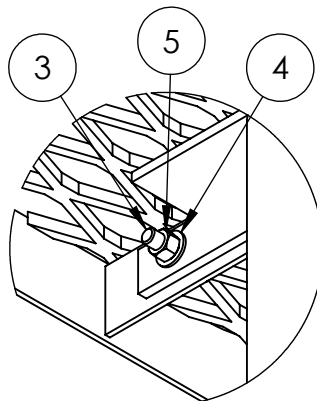
PREMIER POLYSTEEL

The Best Commercial Outdoor Furniture Available. Period.





DETAIL A
SCALE 1 : 4



DETAIL B
SCALE 1 : 4

Tools List

- 7/16" Drill bit
- 9/16" Socket
- 9/16" Wrench
- Level
- Impact Gun (Optional)
- Drill

Periodic check of bolts tightness recommended

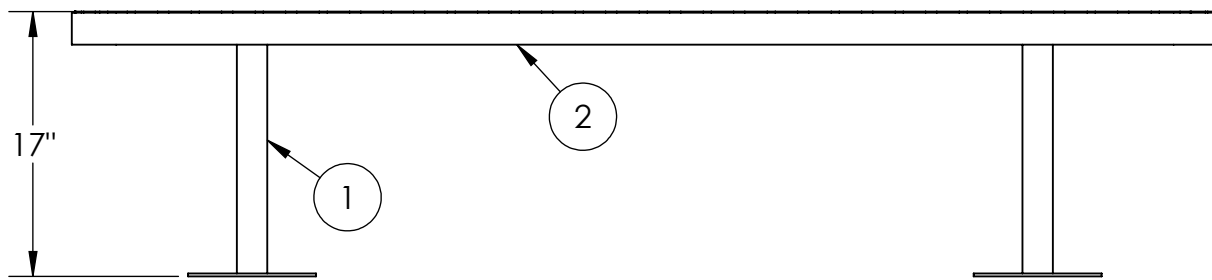
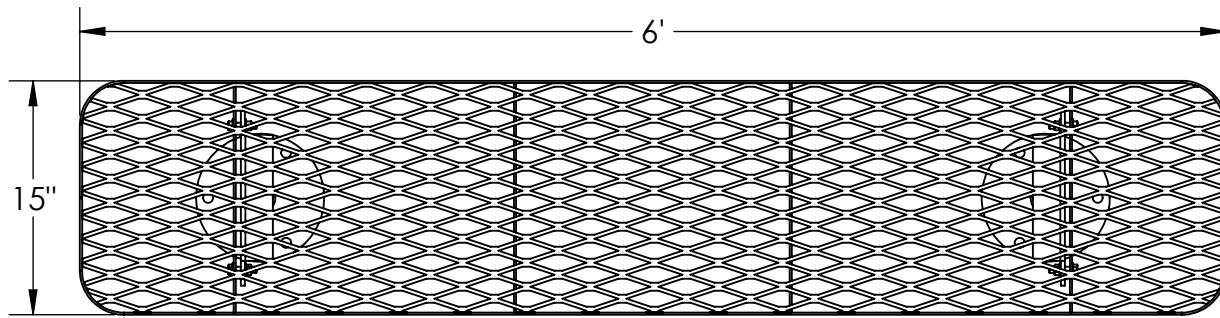
In Accordance to California law: WARNING This product contains a chemical known to the State of California to cause cancer and birth defects or other reproductive harm.



PREMIER POLYSTEEL

The Best Commercial Outdoor Furniture Available. Period.





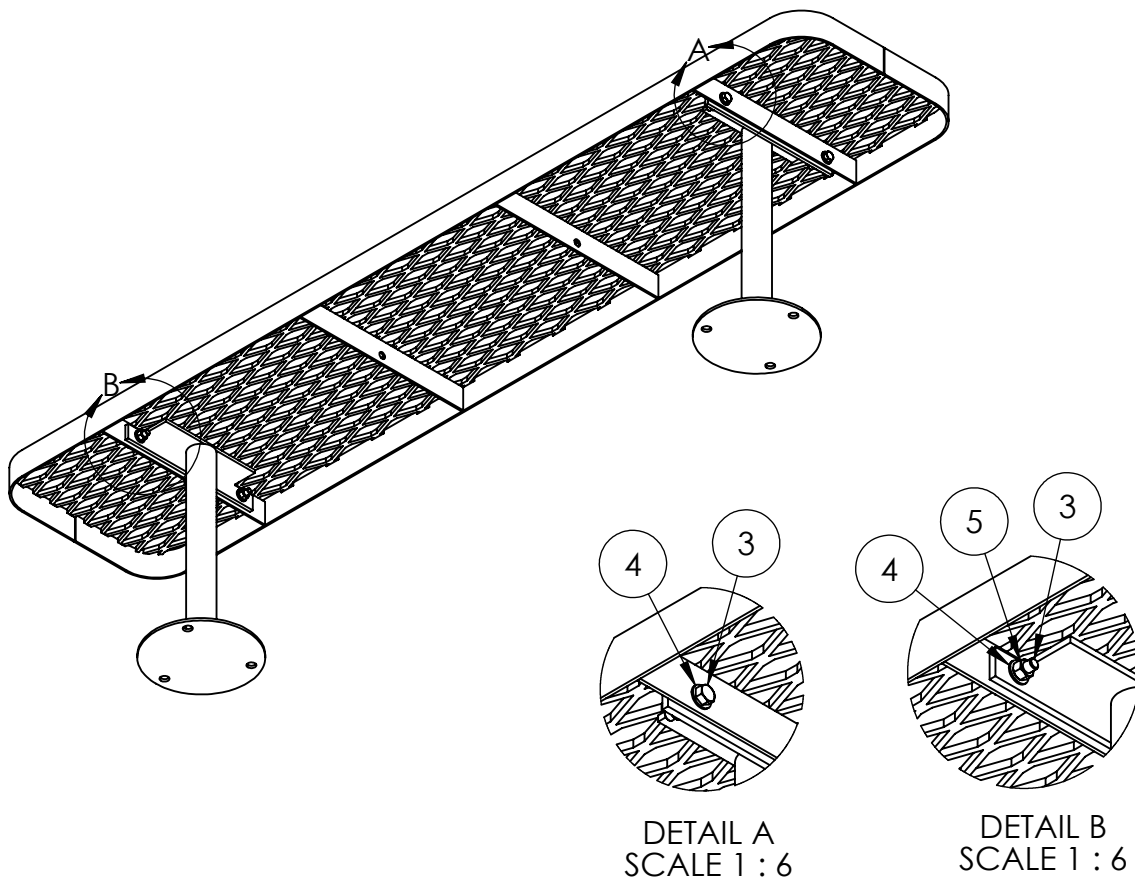
ITEM NO.	PART NUMBER	DESCRIPTION	QTY.
1	633-111	Supreme Bench Without Back stand SM	2
2	622-113	6' SUPREME CHAMPION SEAT/BACK	1
3	516-058	3/8"x1-1/2" SS Hex Bolt	4
4	516-023	3/8" SS Flat Washer	8
5	516-028	3/8" SS Nylock Nut	4



PREMIER POLYSTEEL

The Best Commercial Outdoor Furniture Available. Period.





1. Drill plastic out of the mounting holes on the stands and seats using a 7/16" diameter drill bit.
2. Attach seat to the stands with fixings provided and tighten up.
3. Stand the bench in its final location and mark out base holes.
4. Move the bench to a safe place and drill holes.
5. Place the bench back, level and secure down using appropriate fixings for the ground material.

Tools List

- 7/16" Drill bit
- 9/16" Socket
- 9/16" Wrench
- Level
- Impact Gun (Optional)
- Drill

Periodic check of bolts tightness recommended

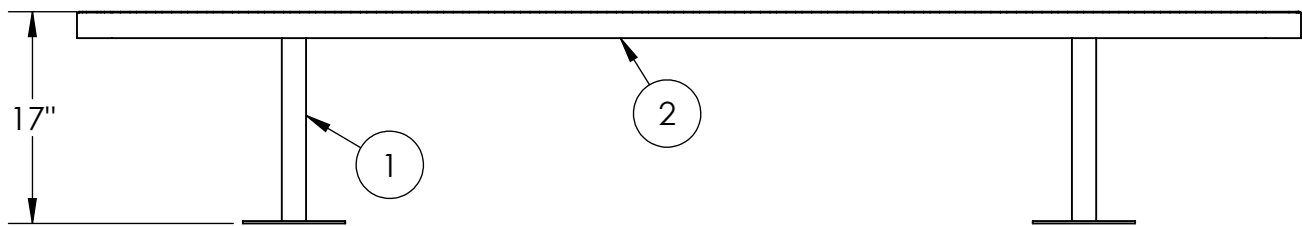
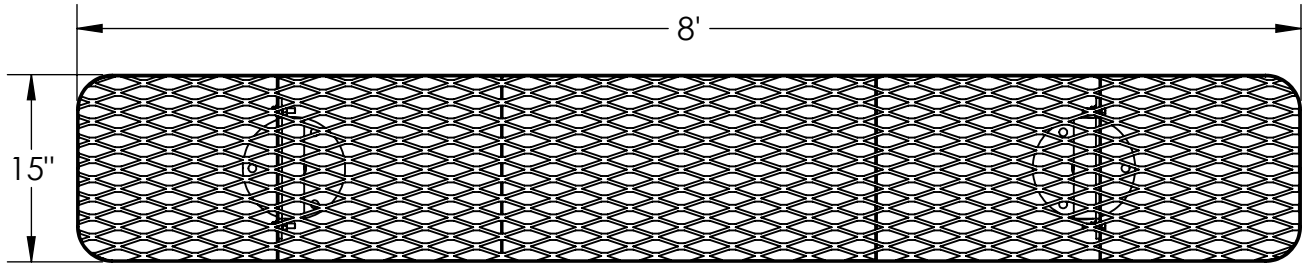
In Accordance to California law: WARNING This product contains a chemical known to the State of California to cause cancer and birth defects or other reproductive harm.



PREMIER POLYSTEEL

The Best Commercial Outdoor Furniture Available. Period.





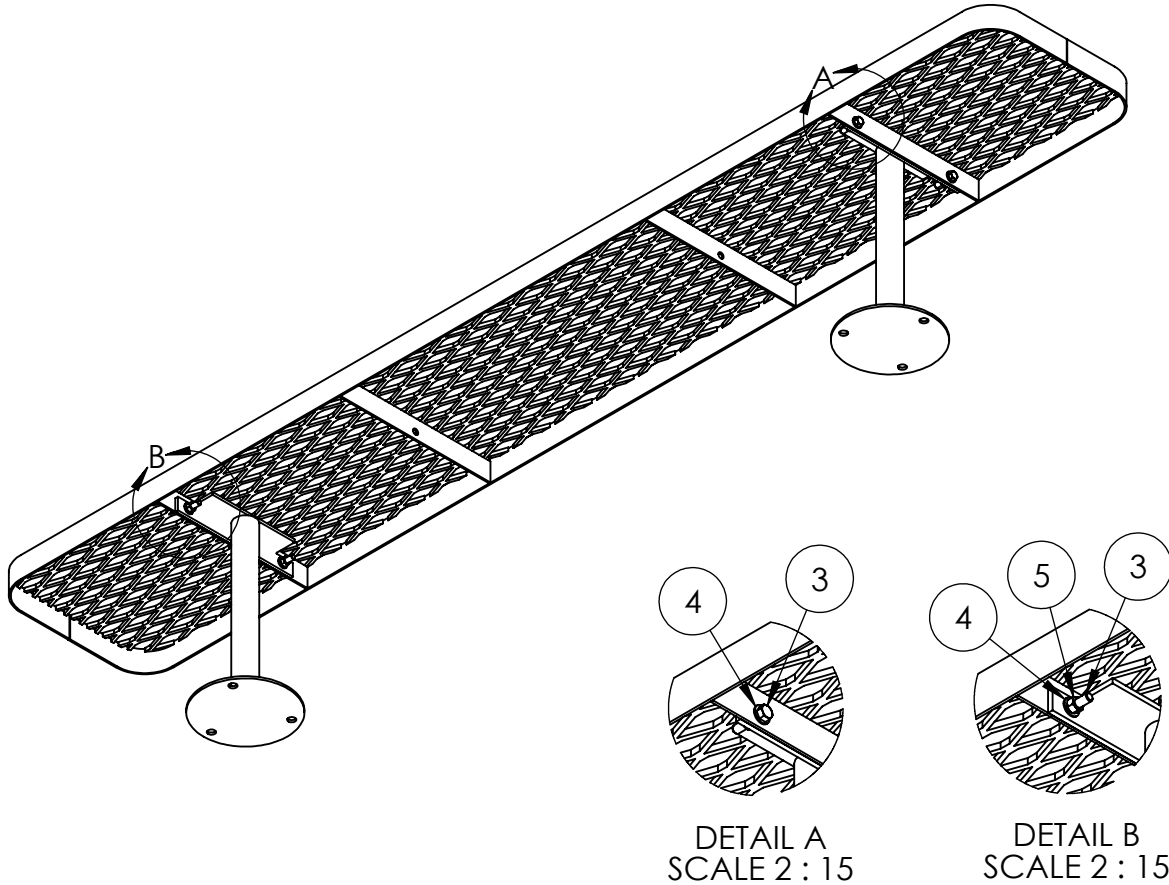
ITEM NO.	PART NUMBER	DESCRIPTION	QTY.
1	633-111	Supreme Bench Without Back stand SM	2
2	622-115	8' Supreme Champ Seat/Back	1
3	516-058	3/8"x1-1/2" SS Hex Bolt	4
4	516-023	3/8" SS Flat Washer	8
5	516-028	3/8" SS Nylock Nut	4



PREMIER POLYSTEEL

The Best Commercial Outdoor Furniture Available. Period.





1. Drill plastic out of the mounting holes on the stands and seats using a 7/16" diameter drill bit.
2. Attach seat to the stands with fixings provided and tighten up.
3. Stand the bench in its final location and mark out base holes.
4. Move the bench to a safe place and drill holes.
5. Place the bench back, level and secure down using appropriate fixings for the ground material.

Tools List

- 7/16" Drill bit
- 9/16" Socket
- 9/16" Wrench
- Level
- Impact Gun (Optional)
- Drill

Periodic check of bolts tightness recommended

In Accordance to California law: WARNING This product contains a chemical known to the State of California to cause cancer and birth defects or other reproductive harm.



PREMIER POLYSTEEL

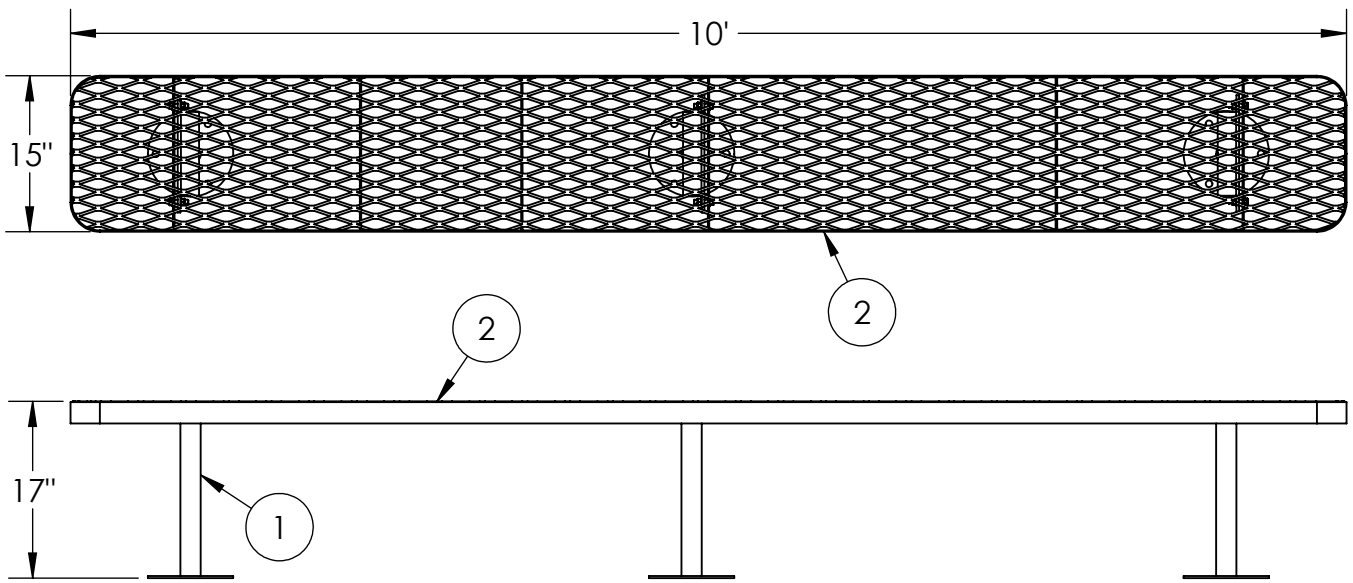
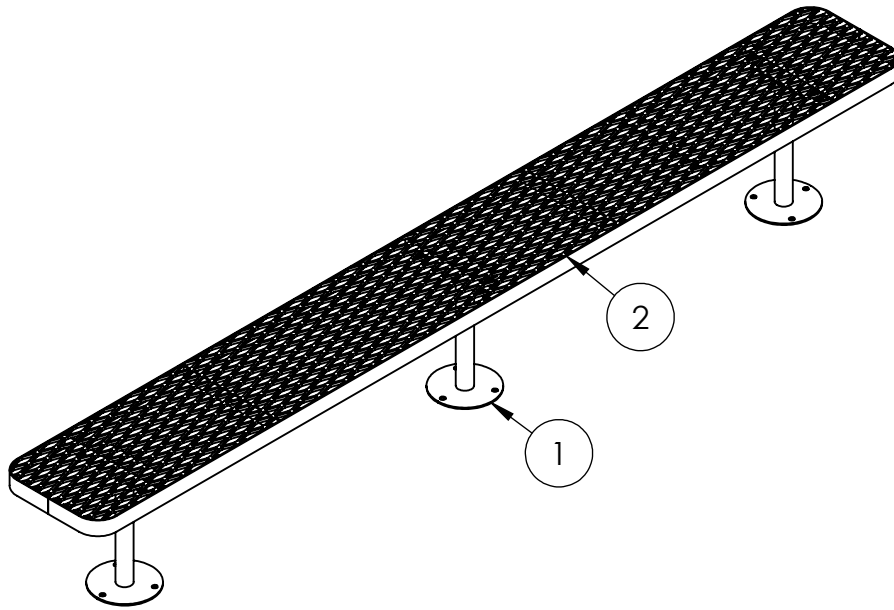
The Best Commercial Outdoor Furniture Available. Period.





CHAMPION SUPREME 10' WITHOUT BACK, SURFACE MOUNT

937-607



ITEM NO.	PART NUMBER	DESCRIPTION	QTY.
1	633-111	Supreme Bench Without Back stand SM	3
2	622-116	10' CHAMPION SUPREME SEAT/BACK	1
3	516-058	3/8"x1-1/2" SS Hex Bolt	6
4	516-023	3/8" SS Flat Washer	12
5	516-028	3/8" SS Nylock Nut	6

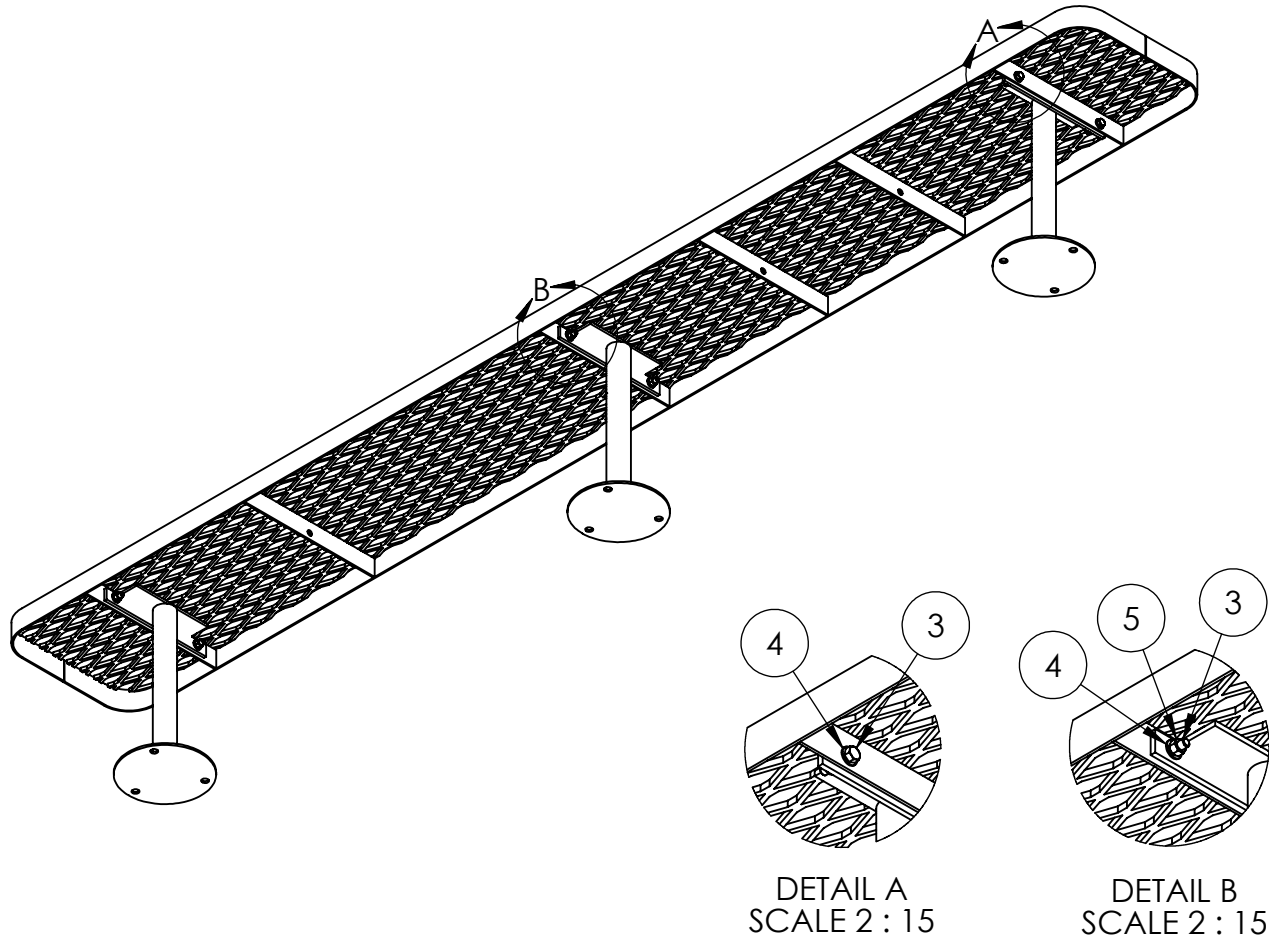


PREMIER POLYSTEEL

The Best Commercial Outdoor Furniture Available. Period.



SIZE
A



1. Drill plastic out of the mounting holes on the stands and seats using a 7/16" diameter drill bit.
2. Attach seat to the stands with fixings provided and tighten up.
3. Stand the bench in its final location and mark out base holes.
4. Move the bench to a safe place and drill holes.
5. Place the bench back, level and secure down using appropriate fixings for the ground material.

Tools List

- 7/16" Drill bit
- 9/16" Socket
- 9/16" Wrench
- Level
- Impact Gun (Optional)
- Drill

Periodic check of bolts tightness recommended

In accordance to California law: **WARNING** - This product contains a chemical known to the State of California to cause cancer and birth defects or other reproductive harm.



PREMIER POLYSTEEL

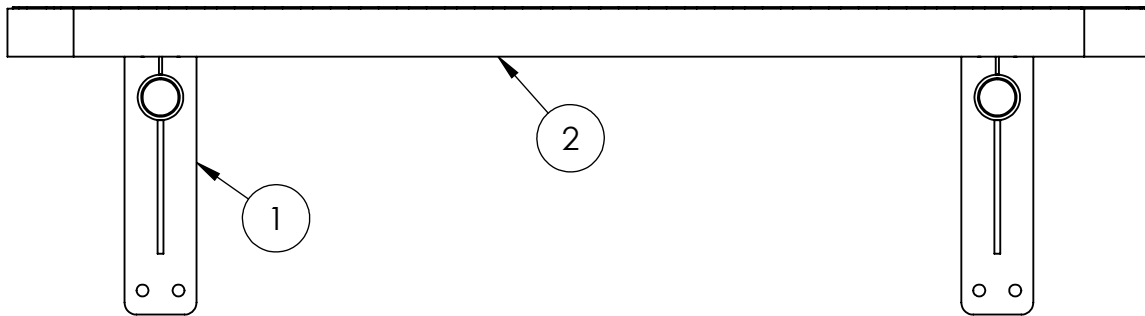
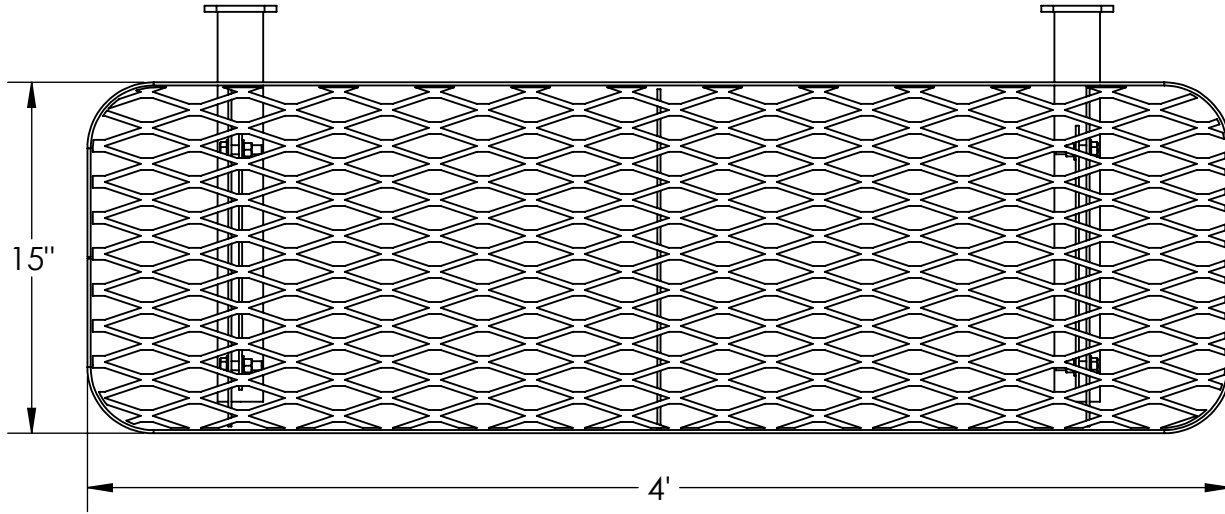
The Best Commercial Outdoor Furniture Available. Period.





CHAMPION SUPREME 4' WITHOUT BACK, WALL MOUNTED

937-104



ITEM NO.	PART NUMBER	DESCRIPTION	QTY.
1	634-101	15" WALL MOUNT	2
2	622-111	4' Supreme Champion Seat	1
3	516-058	3/8"x1-1/2" SS Hex Bolt	4
4	516-023	3/8" SS Flat Washer	8
5	516-028	3/8" SS Nylock Nut	4

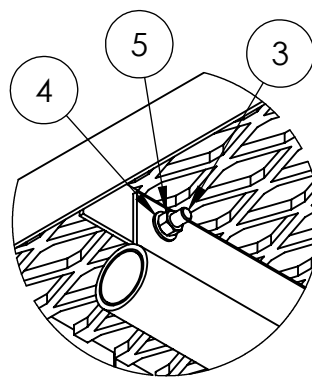
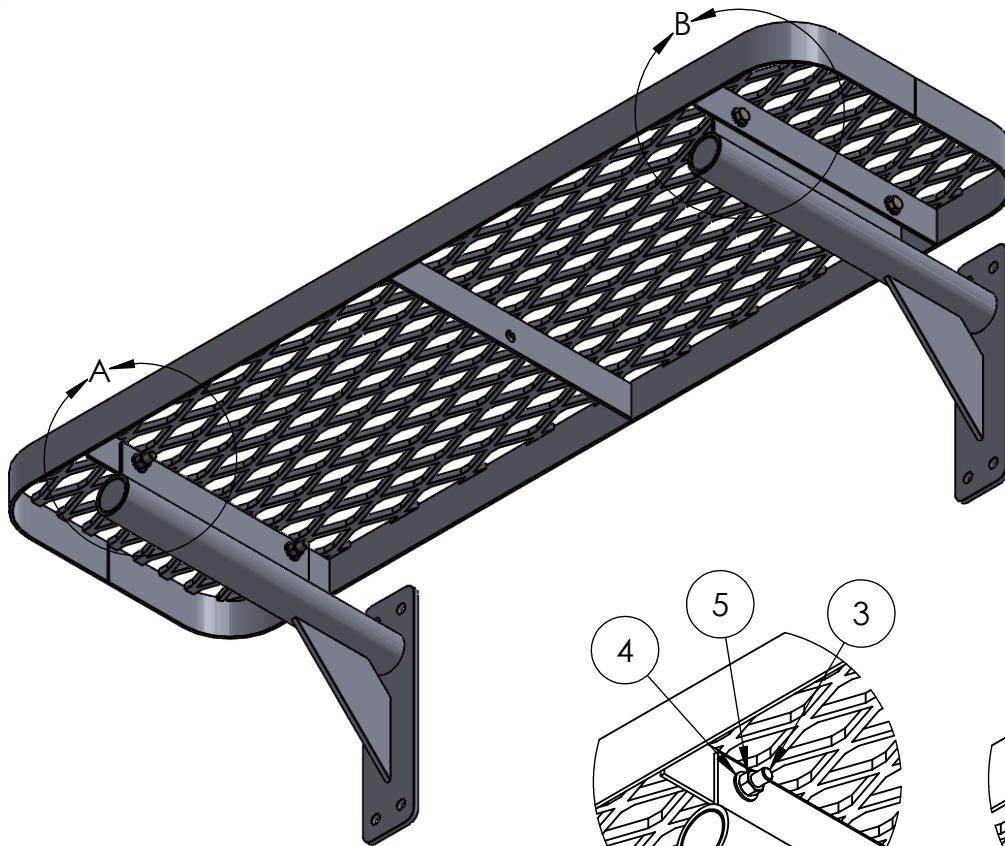


PREMIER POLYSTEEL

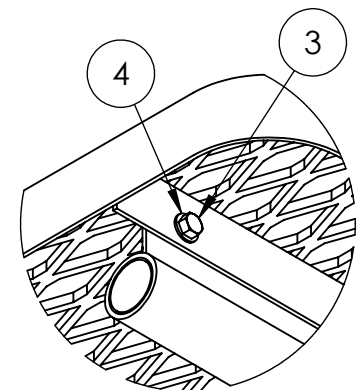
The Best Commercial Outdoor Furniture Available. Period.



SIZE
A



DETAIL A
SCALE 1 : 5



DETAIL B
SCALE 1 : 5

1. Drill plastic out of the mounting holes on the brackets and seat using a 7/16" diameter drill bit.
2. Fix the brackets to the seat using the bolts provided and tighten up.
3. Hold the seat up against the wall in it's final location and mark out fixing holes.
4. Place the seat in a safe location and drill holes using appropriate drill bit.
5. Lift up seat and fix in place using the correct fixings for the wall material.

Tools List

- 7/16" Drill bit
- 9/16" Socket
- 9/16" Wrench
- Level
- Impact Gun (Optional)
- Drill

Periodic check of bolts tightness recommended

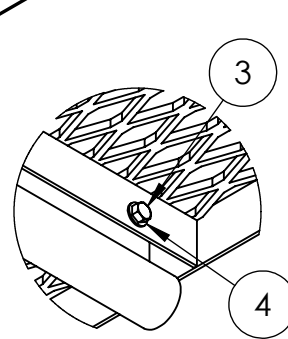
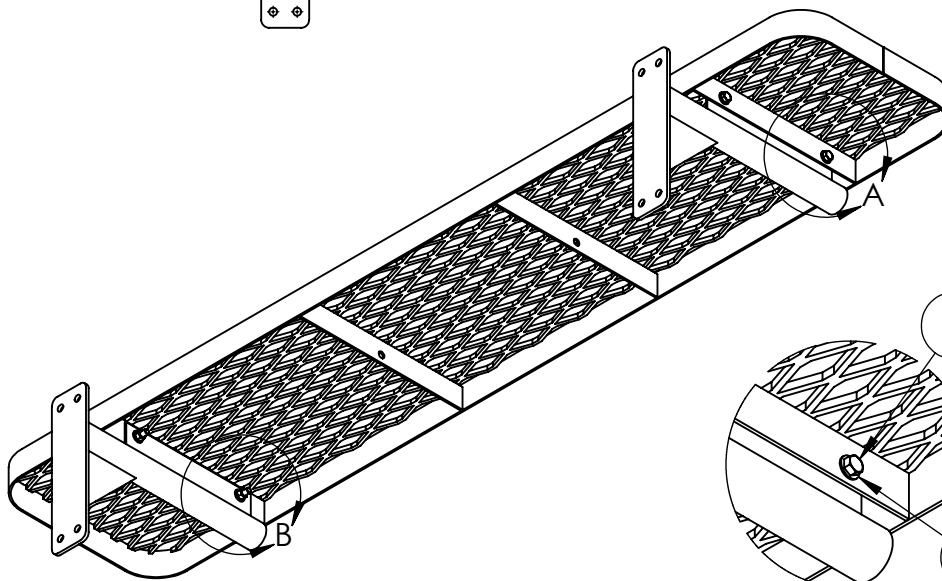
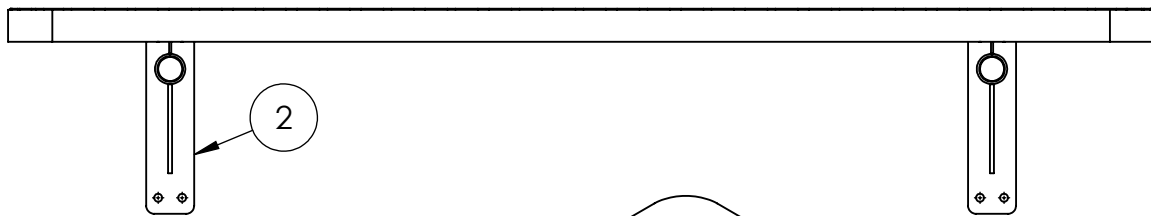
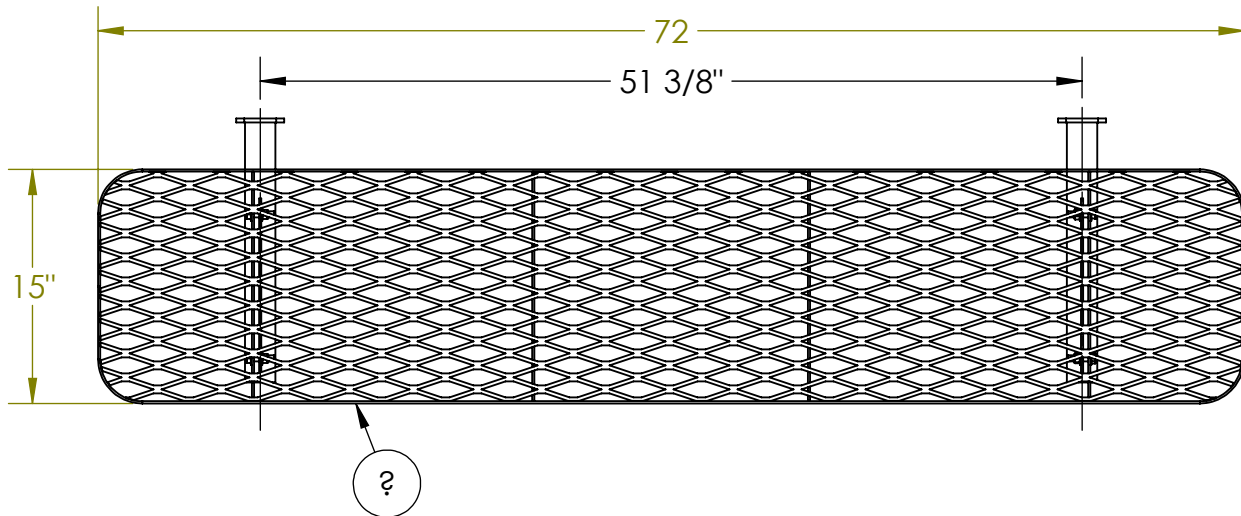
In accordance to California law: **WARNING** - This product contains a chemical known to the State of California to cause cancer and birth defects or other reproductive harm.



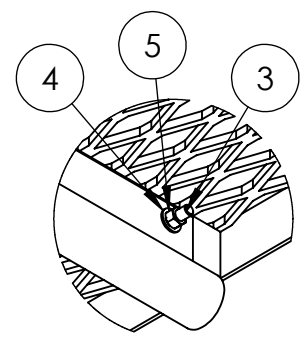
PREMIER POLYSTEEL

The Best Commercial Outdoor Furniture Available. Period.





DETAIL A
SCALE 1 : 6



DETAIL B
SCALE 1 : 6

ITEM NO.	PART NUMBER	DESCRIPTION	QTY.
1	622-113	6' SUPREME CHAMPION SEAT/BACK	1
2	634-101	15" WALL MOUNT	2
3	516-058	3/8"x1-1/2" SS Hex Bolt	4
4	516-023	3/8" SS Flat Washer	8
5	516-028	3/8" SS Nylock Nut	4



PREMIER POLYSTEEL

The Best Commercial Outdoor Furniture Available. Period.





1. Drill plastic out of the mounting holes on the brackets and seat using a 7/16" diameter drill bit.
2. Fix the brackets to the seat using the bolts provided and tighten up.
3. Hold the seat up against the wall in it's final location and mark out fixing holes.
4. Place the seat in a safe location and drill holes using appropriate drill bit.
5. Lift up seat and fix in place using the correct fixings for the wall material.

Tools List

- 7/16" Drill bit
- 9/16" Socket
- 9/16" Wrench
- Level
- Impact Gun (Optional)
- Drill

Periodic check of bolts tightness recommended

In Accordance to California law: WARNING This product contains a chemical known to the State of California to cause cancer and birth defects or other reproductive harm.



PREMIER POLYSTEEL

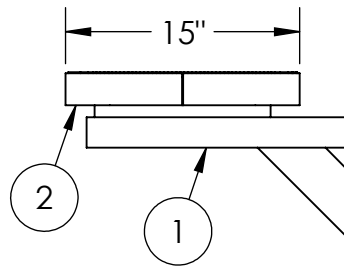
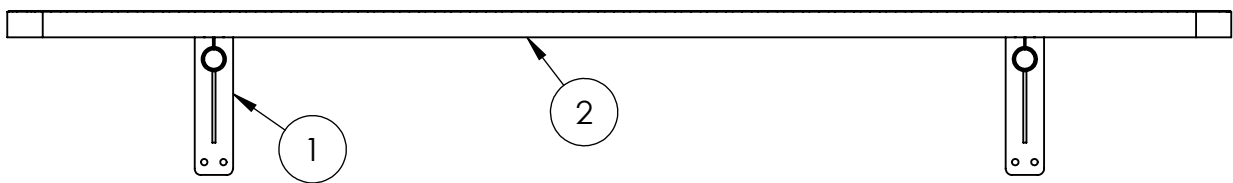
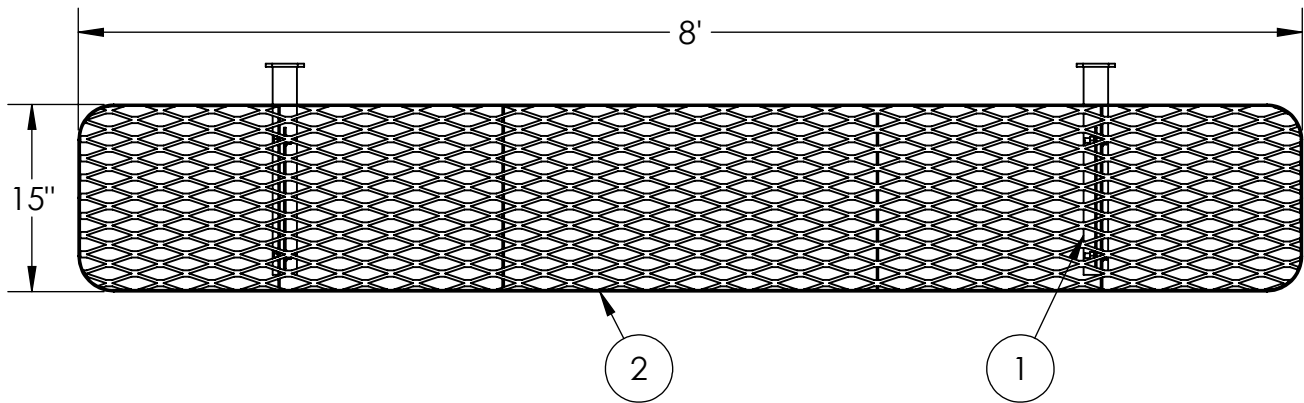
The Best Commercial Outdoor Furniture Available. Period.





8' Champion Supreme Bench Without Back Wall Mount

937-504



ITEM NO.	PART NUMBER	DESCRIPTION	QTY.
1	634-101	15" WALL MOUNT	2
2	622-115	8' Supreme Champ Seat/Back	1
3	516-058	3/8"x1-1/2" SS Hex Bolt	4
4	516-023	3/8" SS Flat Washer	8
5	516-028	3/8" SS Nylock Nut	4

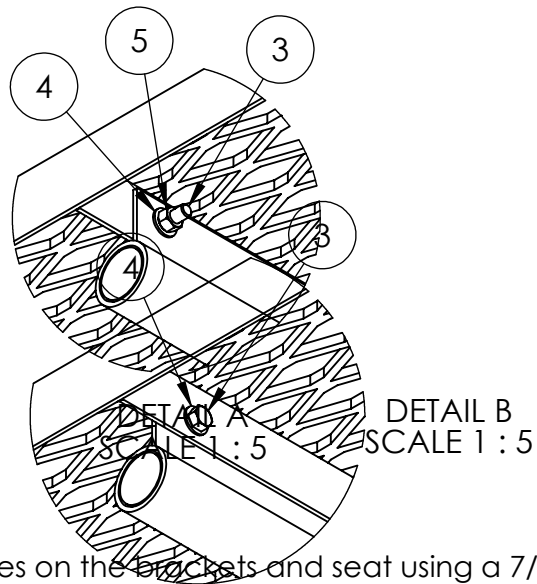
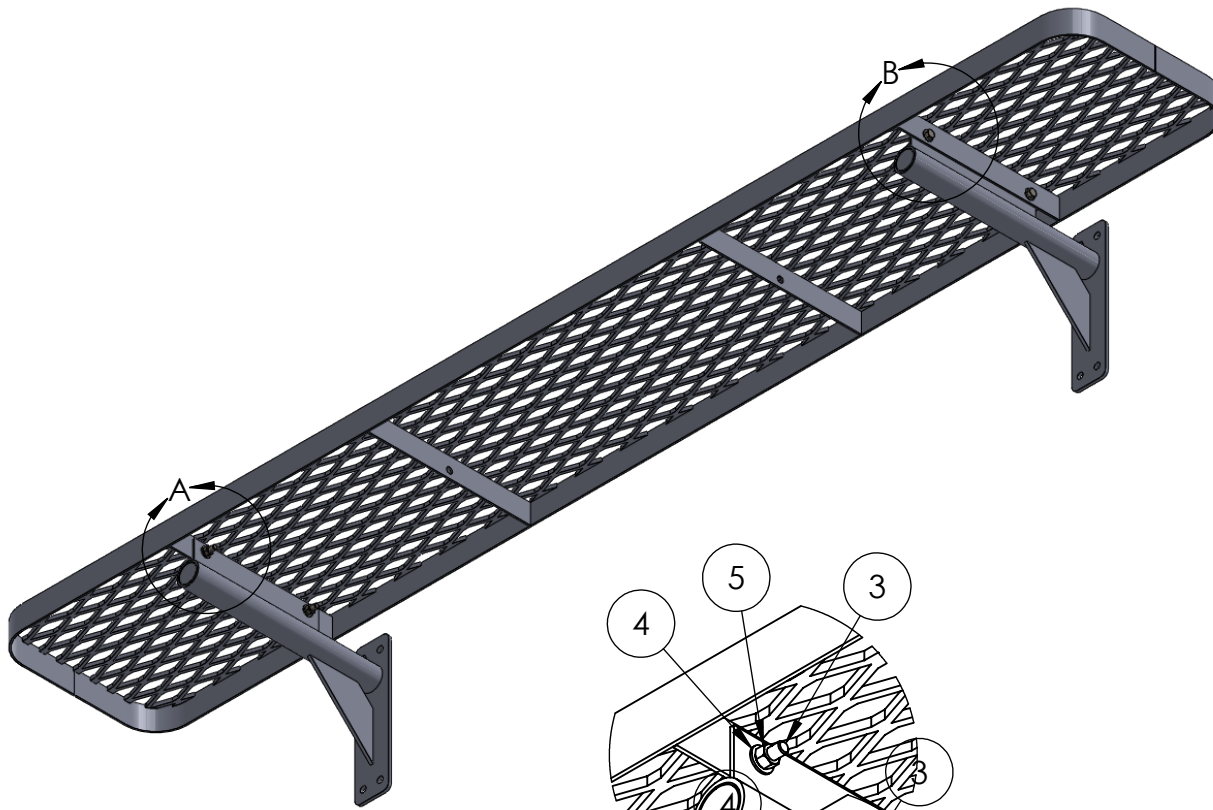


PREMIER POLYSTEEL

The Best Commercial Outdoor Furniture Available. Period.



SIZE
A



1. Drill plastic out of the mounting holes on the brackets and seat using a 7/16" diameter drill bit.
2. Fix the brackets to the seat using the bolts provided and tighten up.
3. Hold the seat up against the wall in it's final location and mark out fixing holes.
4. Place the seat in a safe location and drill holes using appropriate drill bit.
5. Lift up seat and fix in place using the correct fixings for the wall material.

Tools List

- 7/16" Drill bit
- 9/16" Socket
- 9/16" Wrench
- Level
- Impact Gun (Optional)
- Drill

Periodic check of bolts tightness recommended

In accordance to California law: WARNING - This product contains a chemical known to the State of California to cause cancer and birth defects or other reproductive harm.



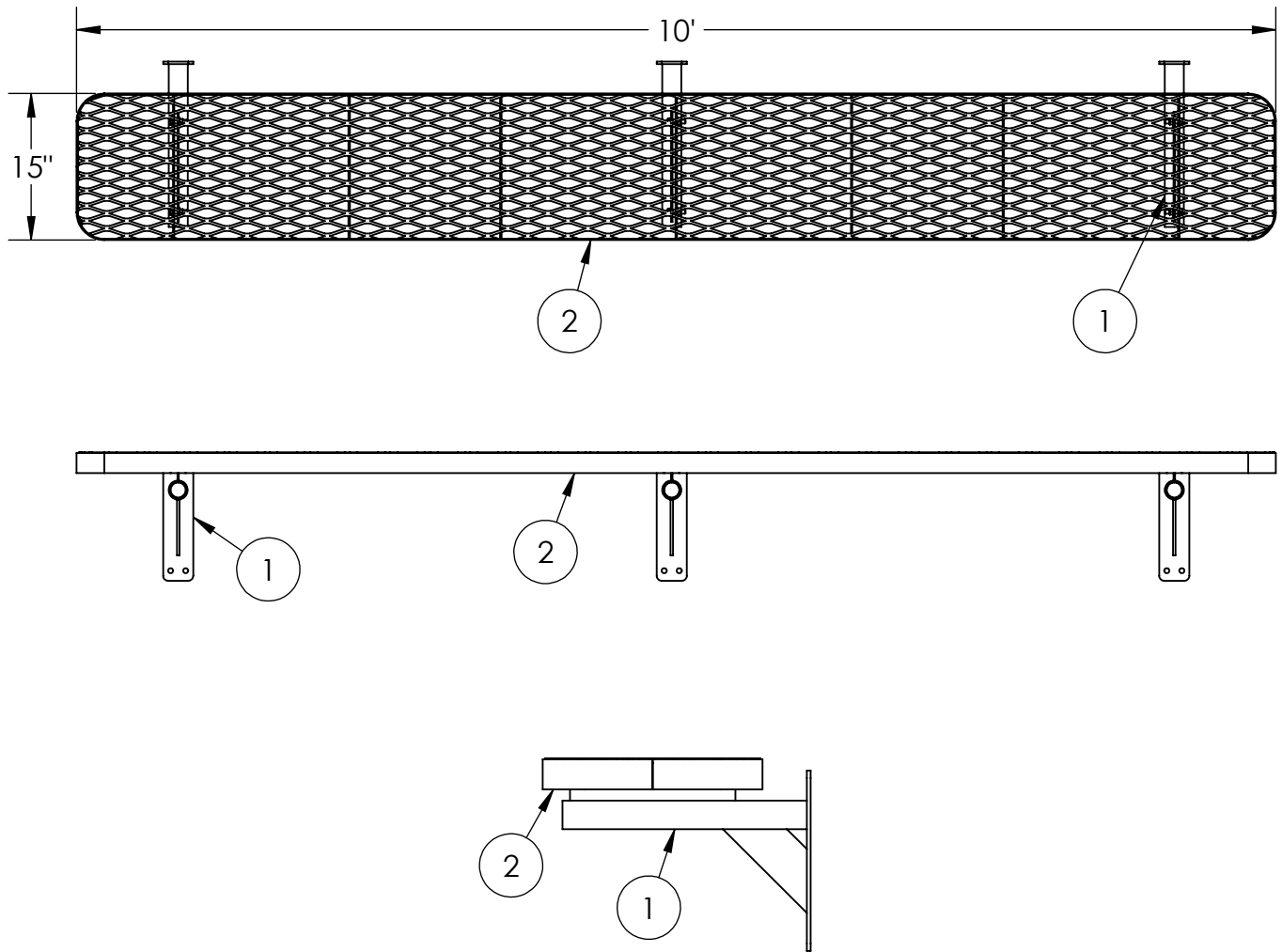
PREMIER POLYSTEEL

The Best Commercial Outdoor Furniture Available. Period.



10' Champion Supreme Expanded Metal Wall Mount Bench without Back

937-604



ITEM NO.	PART NUMBER	DESCRIPTION	QTY.
1	634-101	15" WALL MOUNT	3
2	622-116	10' CHAMPION SUPREME SEAT/BACK	1
3	516-058	3/8"x1-1/2" SS Hex Bolt	6
4	516-023	3/8" SS Flat Washer	12
5	516-028	3/8" SS Nylock Nut	6



PREMIER POLYSTEEL

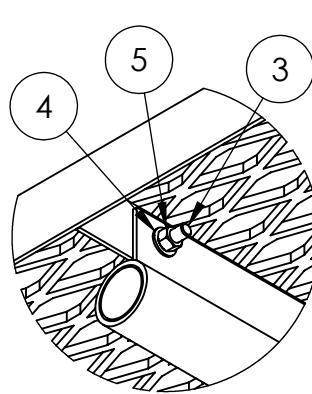
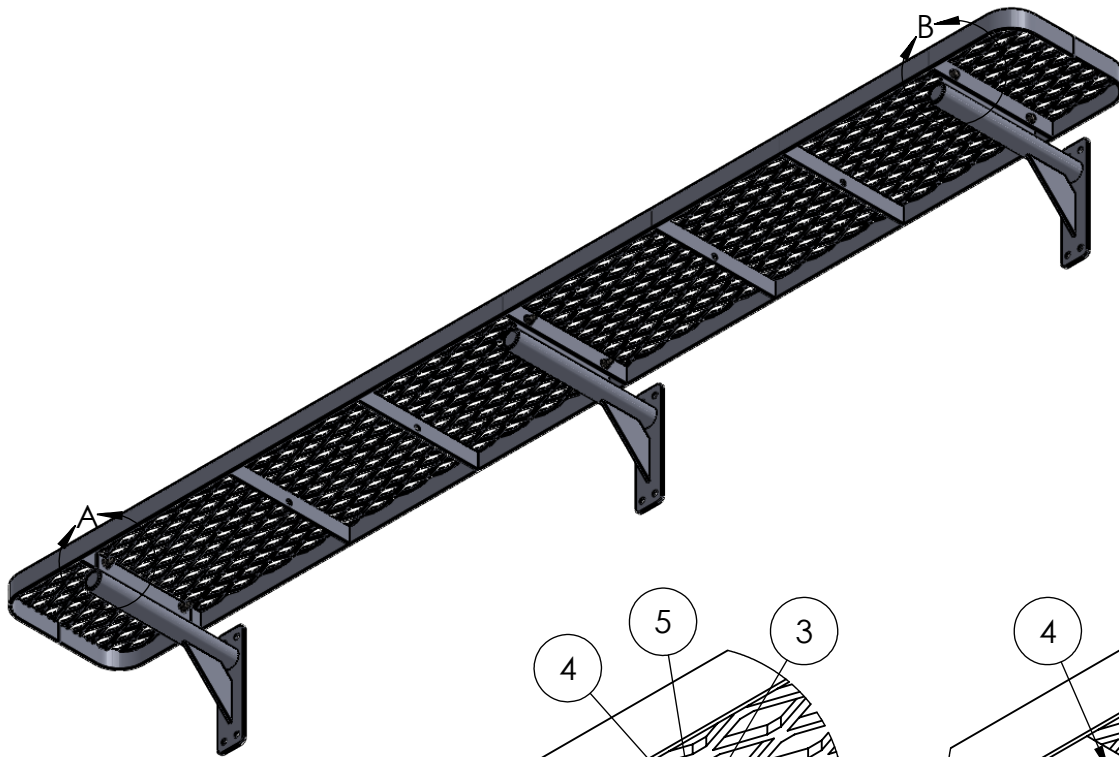
The Best Commercial Outdoor Furniture Available. Period.



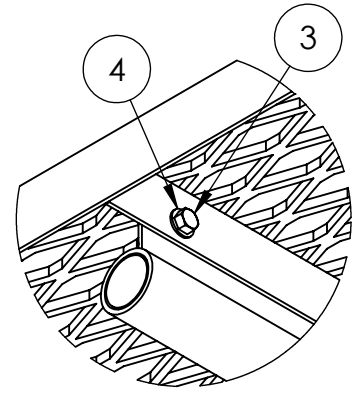
SIZE
A

10' Champion Supreme Expanded Metal Wall Mount Bench without Back

937-604



DETAIL A
SCALE 1 : 5



DETAIL B
SCALE 1 : 5

1. Drill plastic out of the mounting holes on the brackets and seat using a 7/16" diameter drill bit.
2. Fix the brackets to the seat using the bolts provided and tighten up.
3. Hold the seat up against the wall in its final location and mark out fixing holes.
4. Place the seat in a safe location and drill holes using appropriate drill bit.
5. Lift up seat and fix in place using the correct fixings for the wall material.

Tools List

- 7/16" Drill bit
- 9/16" Socket
- 9/16" Wrench
- Level
- Impact Gun (Optional)
- Drill

Periodic check of bolts tightness recommended

In accordance to California law: **WARNING** - This product contains a chemical known to the State of California to cause cancer and birth defects or other reproductive harm.



PREMIER POLYSTEEL

The Best Commercial Outdoor Furniture Available. Period.

