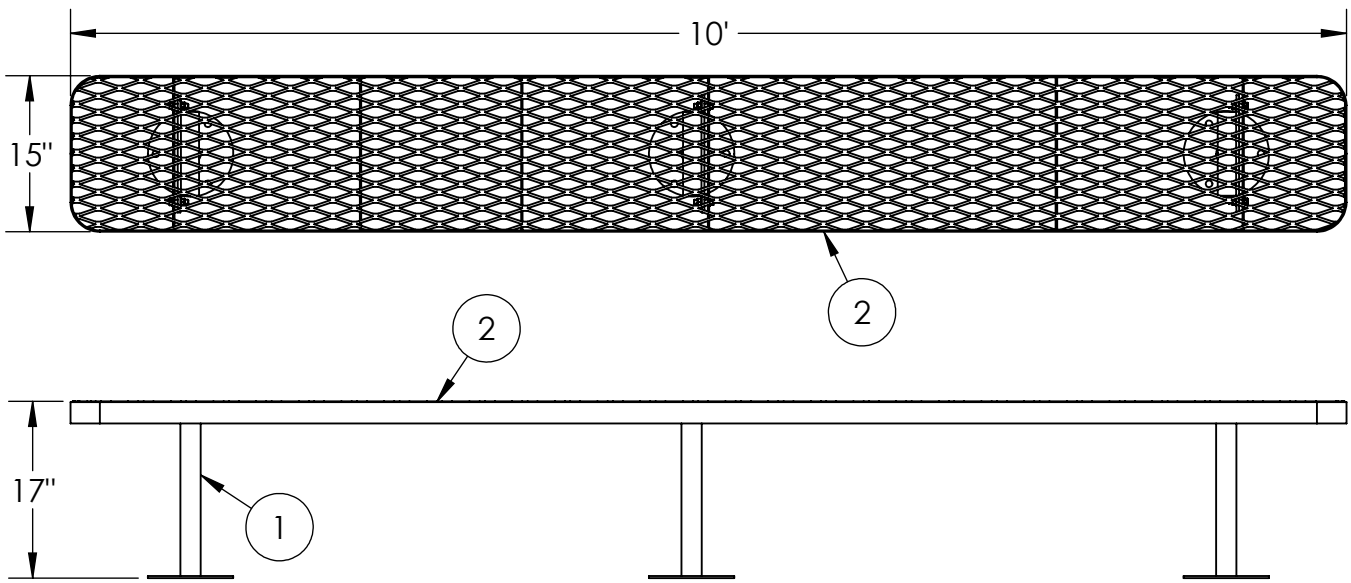
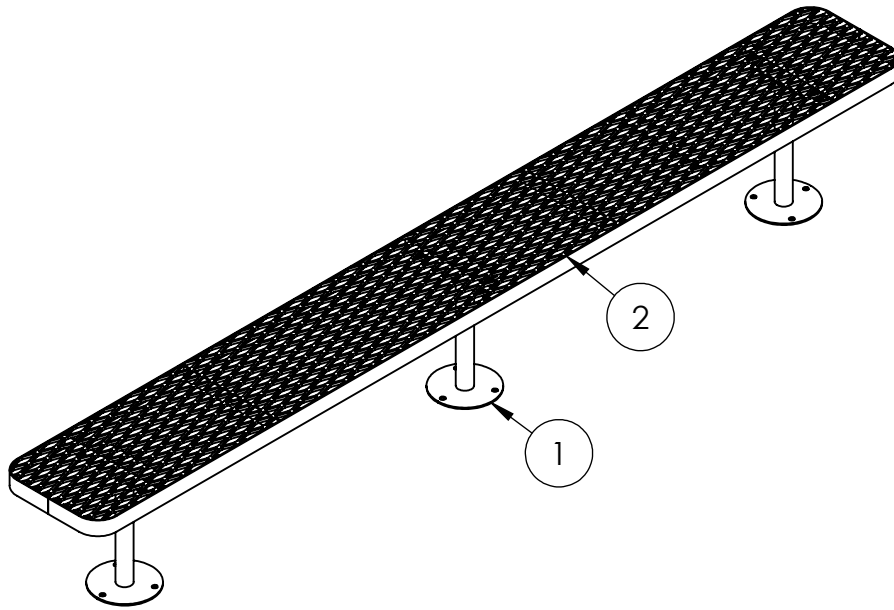




CHAMPION SUPREME 10' WITHOUT BACK, SURFACE MOUNT

937-607



ITEM NO.	PART NUMBER	DESCRIPTION	QTY.
1	633-111	Supreme Bench Without Back stand SM	3
2	622-116	10' CHAMPION SUPREME SEAT/BACK	1
3	516-058	3/8"x1-1/2" SS Hex Bolt	6
4	516-023	3/8" SS Flat Washer	12
5	516-028	3/8" SS Nylock Nut	6

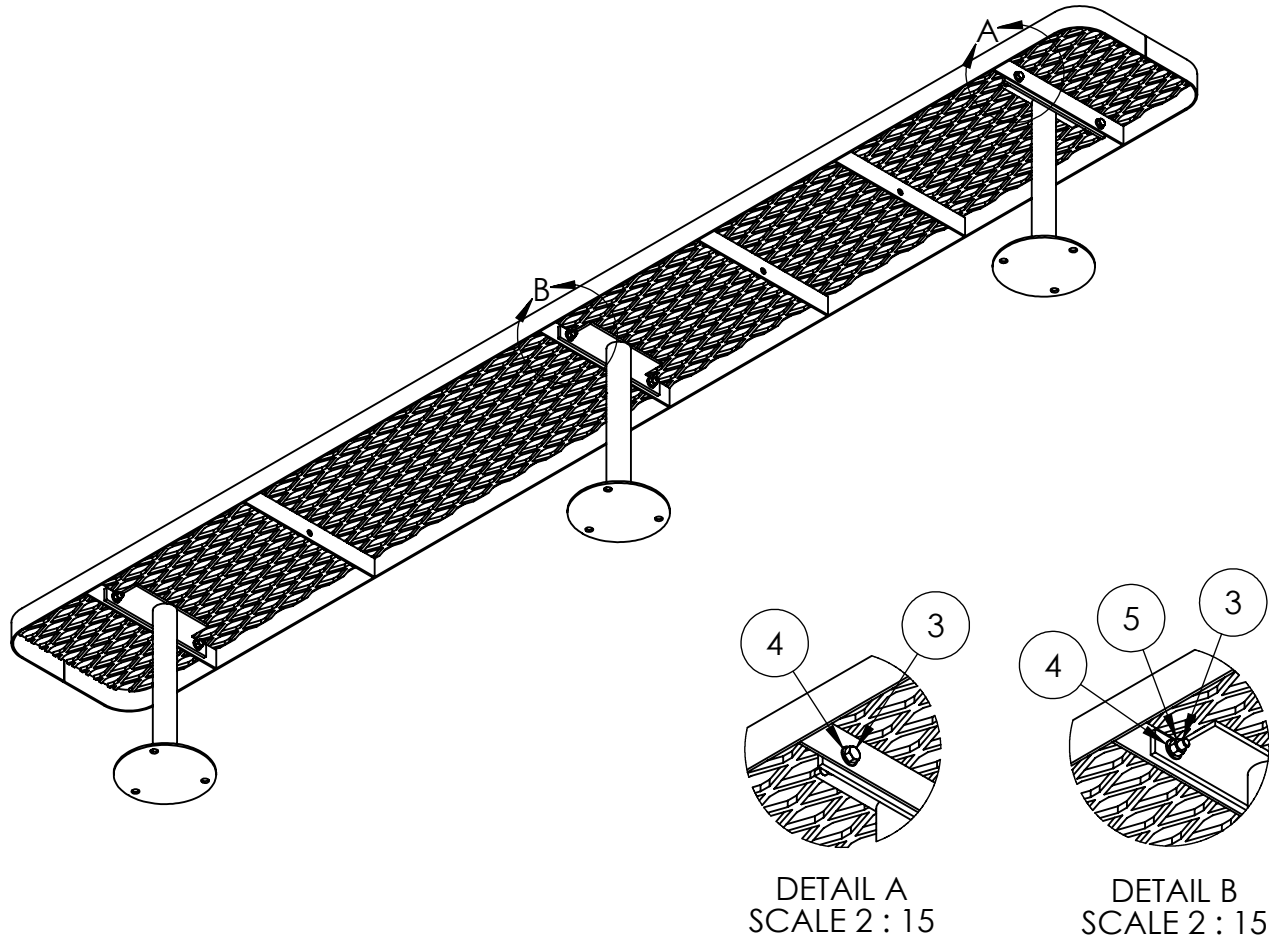


PREMIER POLYSTEEL

The Best Commercial Outdoor Furniture Available. Period.



SIZE
A



1. Drill plastic out of the mounting holes on the stands and seats using a 7/16" diameter drill bit.
2. Attach seat to the stands with fixings provided and tighten up.
3. Stand the bench in its final location and mark out base holes.
4. Move the bench to a safe place and drill holes.
5. Place the bench back, level and secure down using appropriate fixings for the ground material.

Tools List

- 7/16" Drill bit
- 9/16" Socket
- 9/16" Wrench
- Level
- Impact Gun (Optional)
- Drill

Periodic check of bolts tightness recommended

In accordance to California law: **WARNING** - This product contains a chemical known to the State of California to cause cancer and birth defects or other reproductive harm.



PREMIER POLYSTEEL

The Best Commercial Outdoor Furniture Available. Period.

