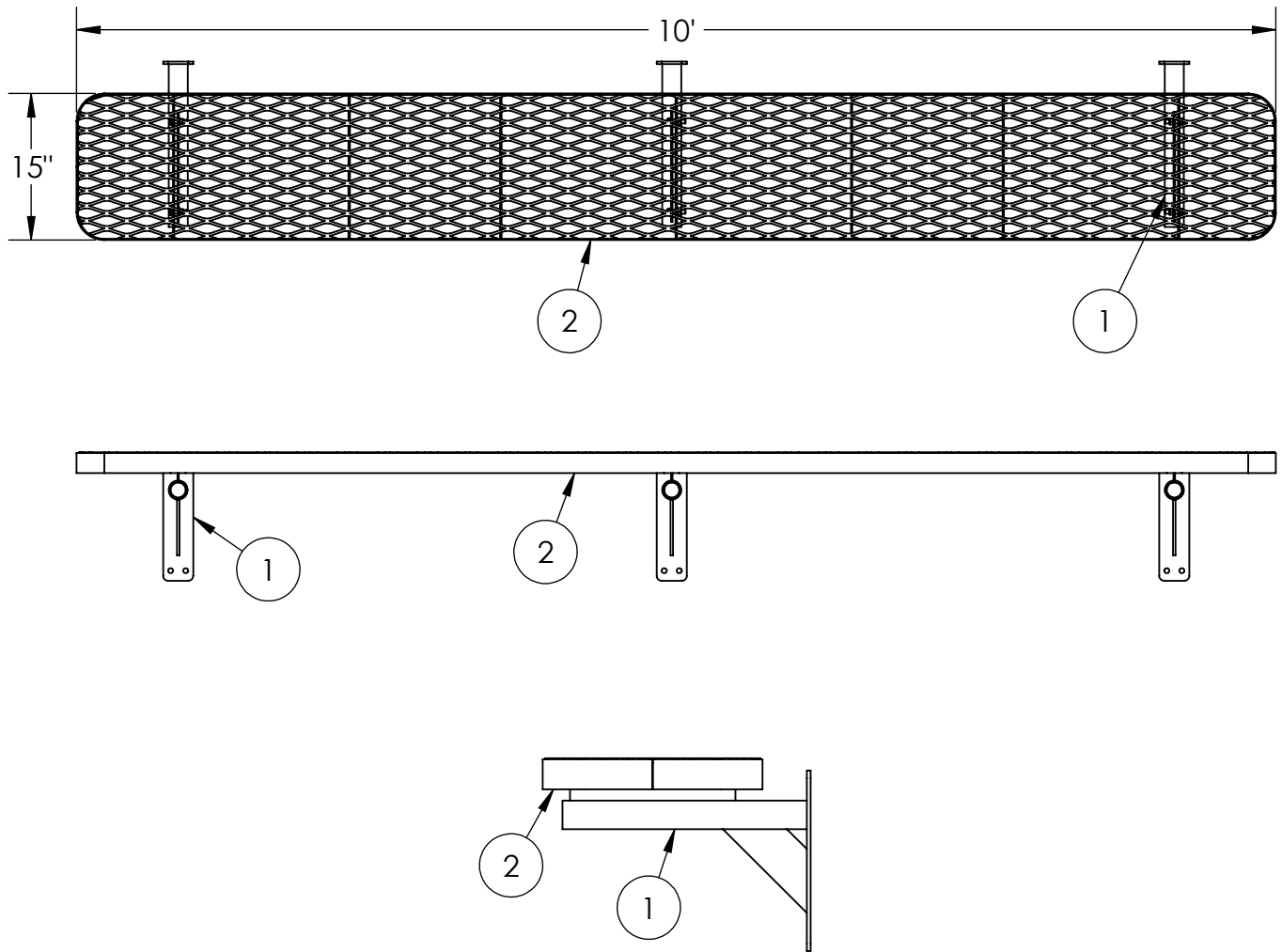


# 10' Champion Supreme Expanded Metal Wall Mount Bench without Back

937-604



ITEM NO.	PART NUMBER	DESCRIPTION	QTY.
1	634-101	15" WALL MOUNT	3
2	622-116	10' CHAMPION SUPREME SEAT/BACK	1
3	516-058	3/8"x1-1/2" SS Hex Bolt	6
4	516-023	3/8" SS Flat Washer	12
5	516-028	3/8" SS Nylock Nut	6



**PREMIER POLYSTEEL**

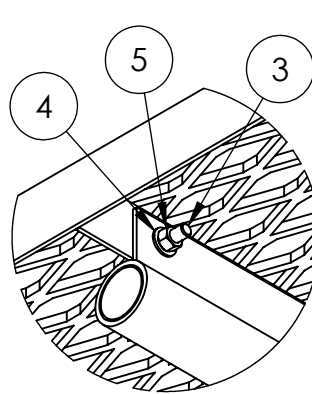
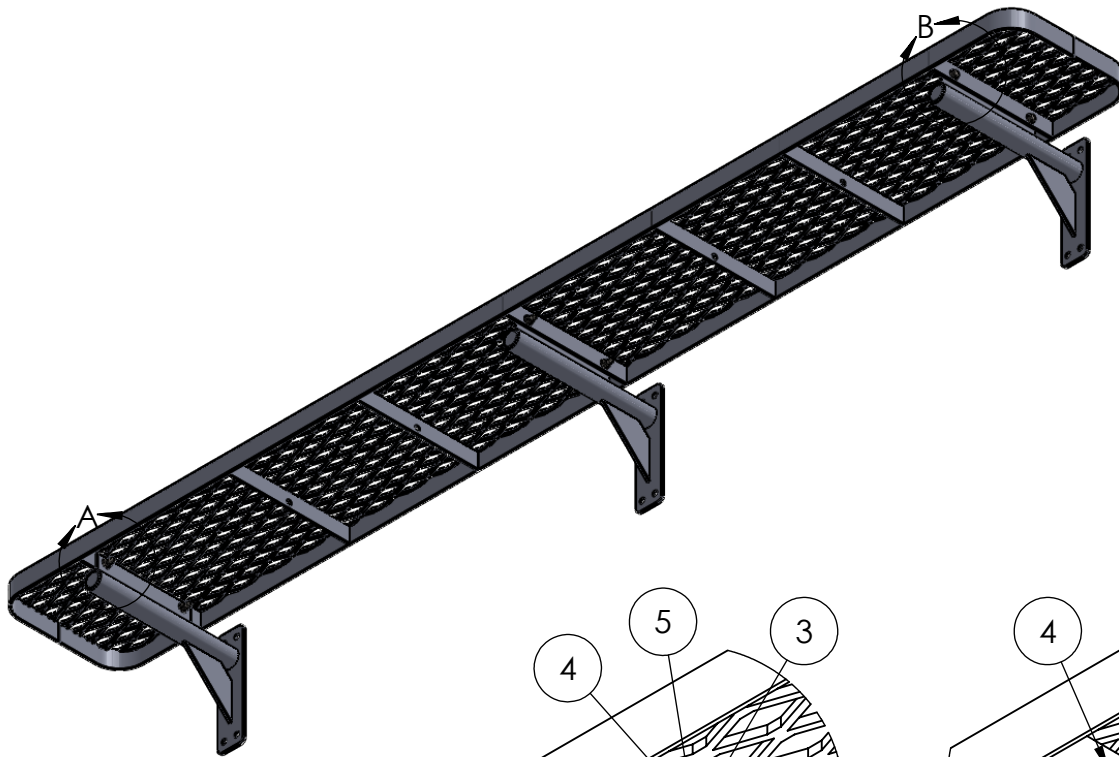
The Best Commercial Outdoor Furniture Available. Period.



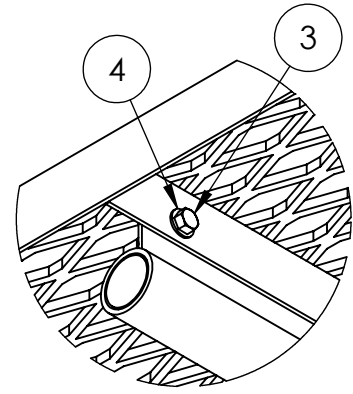
SIZE  
**A**

# 10' Champion Supreme Expanded Metal Wall Mount Bench without Back

937-604



DETAIL A  
SCALE 1 : 5



DETAIL B  
SCALE 1 : 5

1. Drill plastic out of the mounting holes on the brackets and seat using a 7/16" diameter drill bit.
2. Fix the brackets to the seat using the bolts provided and tighten up.
3. Hold the seat up against the wall in its final location and mark out fixing holes.
4. Place the seat in a safe location and drill holes using appropriate drill bit.
5. Lift up seat and fix in place using the correct fixings for the wall material.

## Tools List

- 7/16" Drill bit
- 9/16" Socket
- 9/16" Wrench
- Level
- Impact Gun (Optional)
- Drill

*Periodic check of bolts tightness recommended*

In accordance to California law: WARNING - This product contains a chemical known to the State of California to cause cancer and birth defects or other reproductive harm.



## PREMIER POLYSTEEL

The Best Commercial Outdoor Furniture Available. Period.

