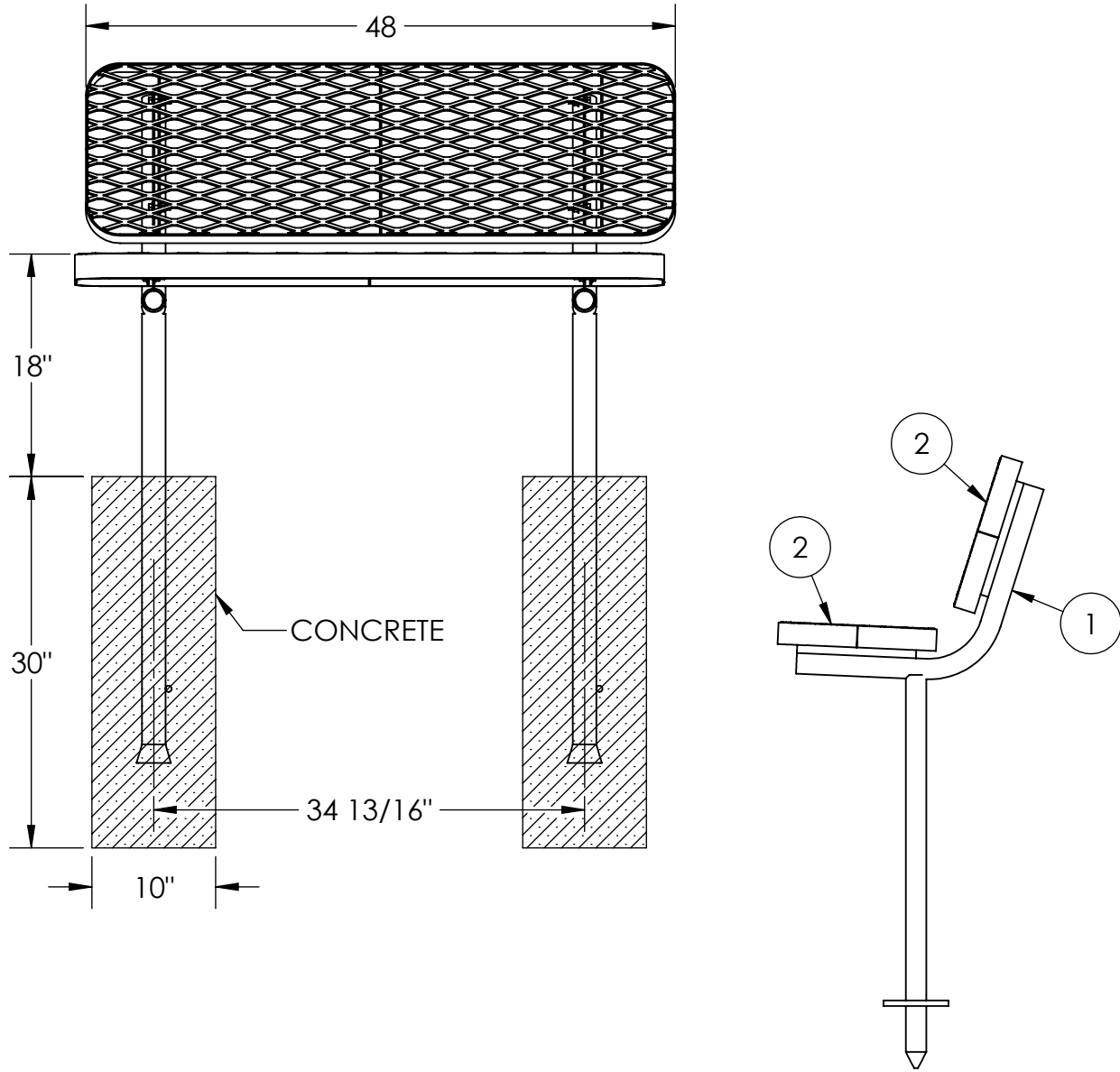




CHAMPION SUPREME 4' WITH BACK, FREE STANDING

936-102



ITEM NO.	PART NUMBER	DESCRIPTION	QTY.
1	630-120	Supreme Direct Bury stand	2
2	622-111	4' Supreme Champion Seat	2
3	516-058	3/8"x1-1/2" SS Hex Bolt	8
4	516-023	3/8" SS Flat Washer	16
5	516-028	3/8" SS Nylock Nut	8

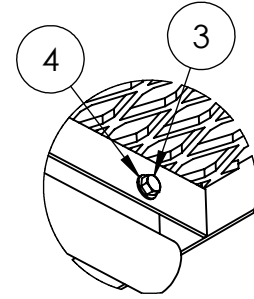
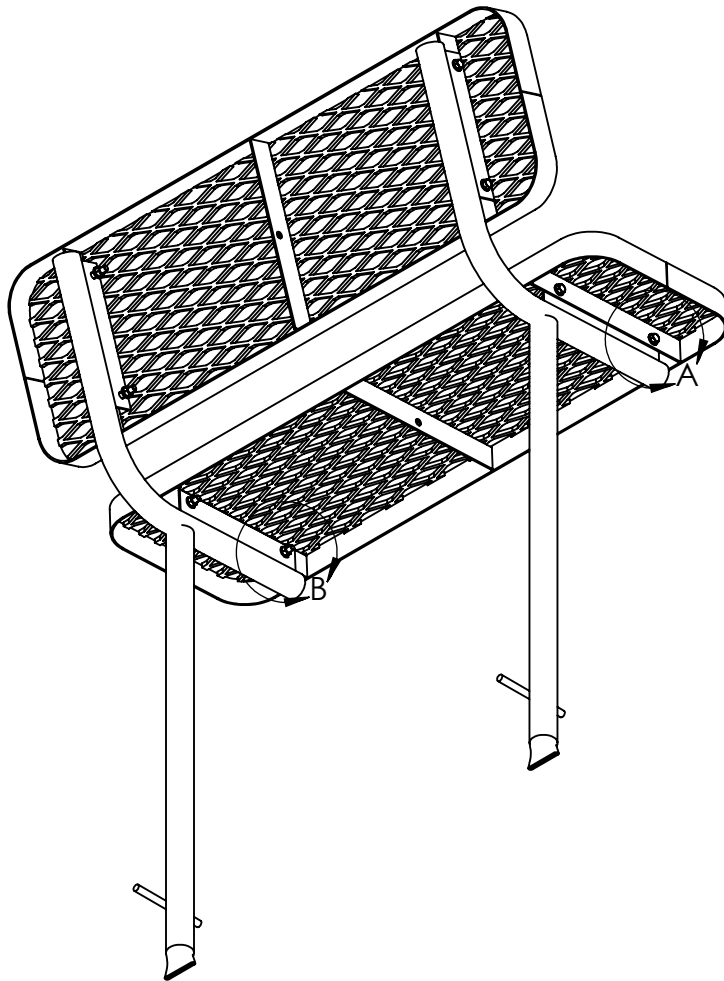


PREMIER POLYSTEEL

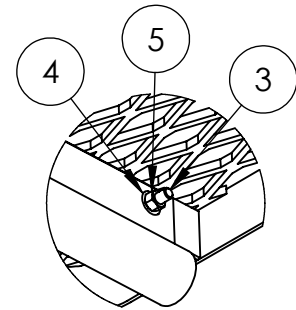
The Best Commercial Outdoor Furniture Available. Period.



SIZE
A



DETAIL A
SCALE 1 : 6



DETAIL B
SCALE 1 : 6

1. Drill plastic out of the mounting holes on the legs, seat and back using a 7/16" diameter drill bit.
2. Bolt the seat and back to the legs and tighten up.
3. Mark out the holes for the legs on the ground in the desired location. Drill 10" diameter holes at each location to a minimum depth of 30". You need to be below the frost line in your area.
4. Place the seat into the holes and support at the desired height. Level the seat.
5. Fill the holes with concrete and crown the top so that water will run off. Let stand for 24 hours before removing the supports.

Tools List

- 7/16" Drill bit
- 9/16" Socket
- 9/16" Wrench
- Impact Gun (Optional)
- Drill
- Level

Periodic check of bolts tightness recommended

In Accordance to California law: WARNING This product contains a chemical known to the State of California to cause cancer and birth defects or other reproductive harm.



PREMIER POLYSTEEL

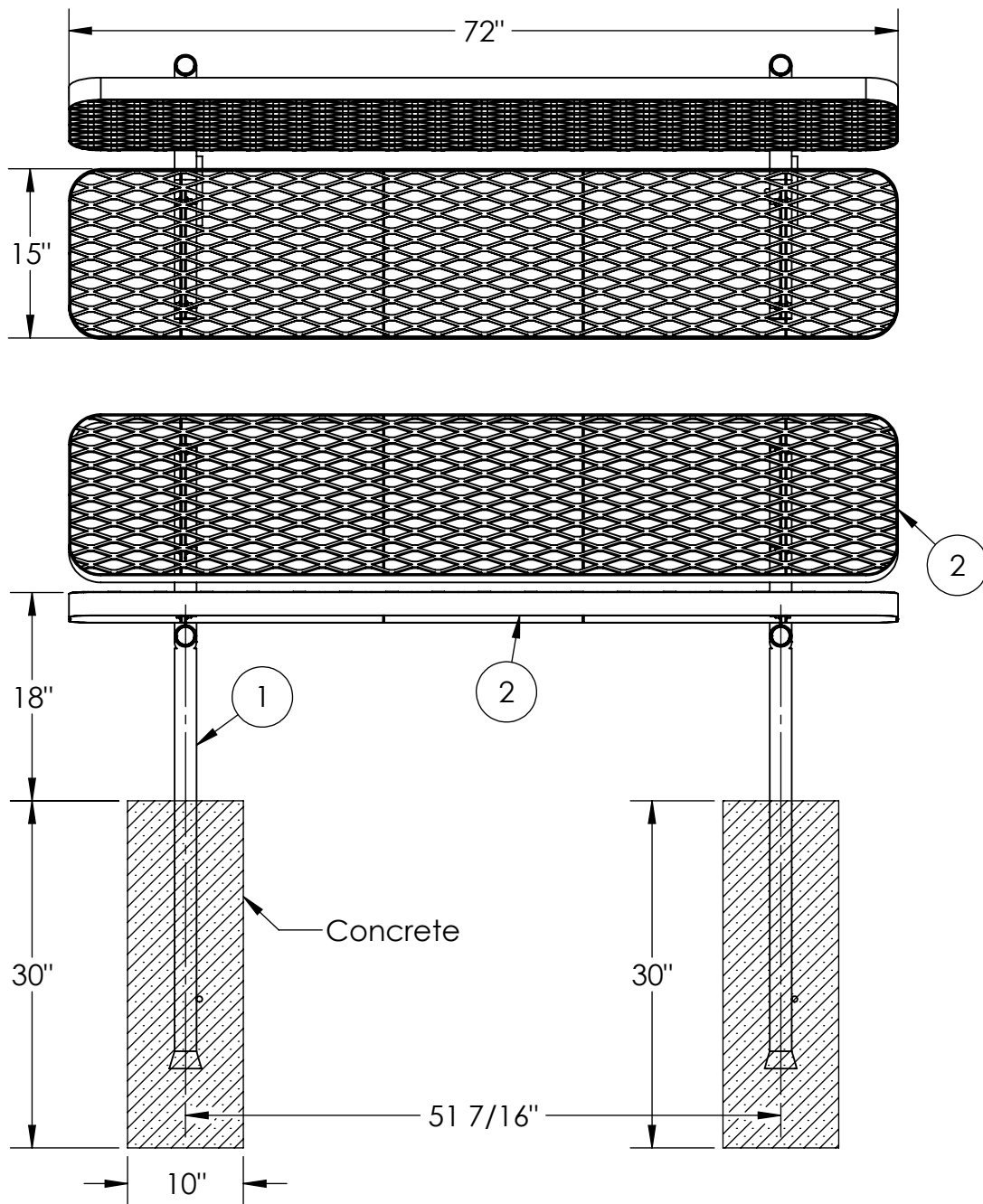
The Best Commercial Outdoor Furniture Available. Period.





CHAMPION SUPREME 6' WITH BACK, DIRECT BURY

936-302



ITEM NO.	PART NUMBER	DESCRIPTION	QTY.
1	630-120	Supreme Direct Bury stand	2
2	622-113	6' SUPREME CHAMPION SEAT/BACK	2
3	516-058	3/8"x1-1/2" SS Hex Bolt	8
4	516-023	3/8" SS Flat Washer	16
5	516-028	3/8" SS Nylock Nut	8

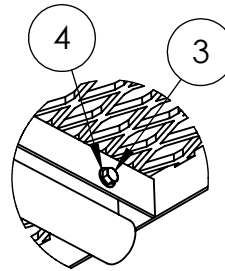
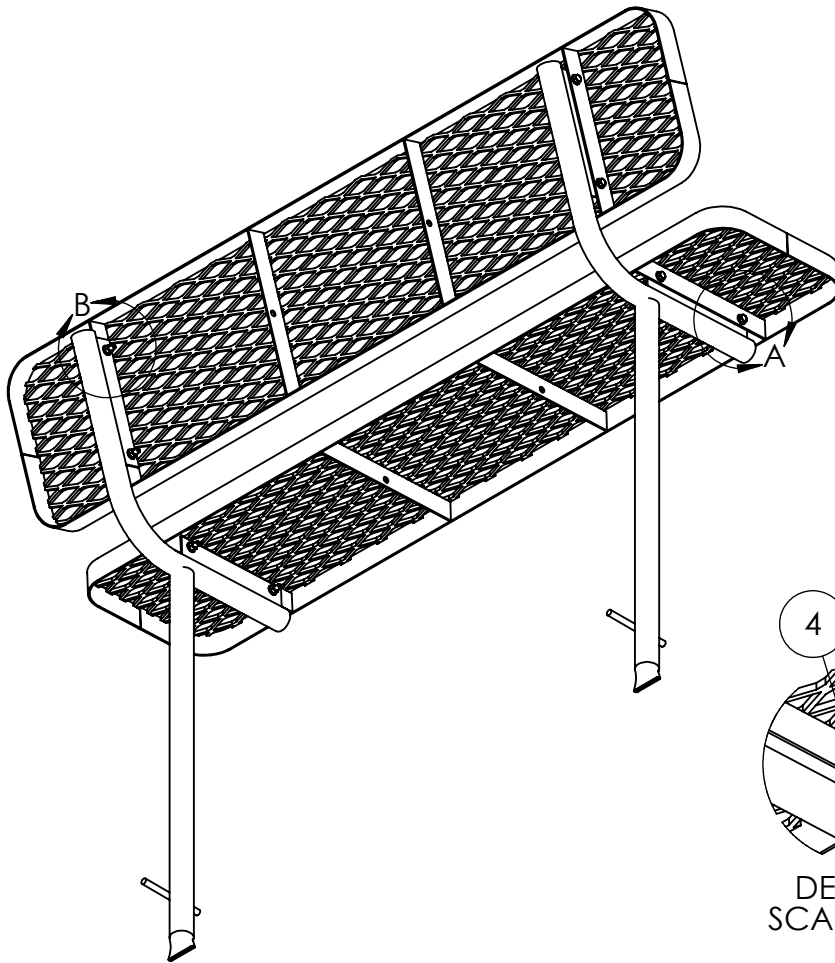


PREMIER POLYSTEEL

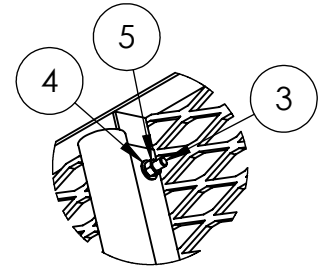
The Best Commercial Outdoor Furniture Available. Period.



SIZE
A



DETAIL A
SCALE 2 : 15



DETAIL B
SCALE 2 : 15

1. Drill plastic out of the mounting holes on the legs, seat and back using a 7/16" diameter drill bit.
2. Bolt the seat and back to the legs and tighten up.
3. Mark out the holes for the legs on the ground in the desired location. Drill 10" diameter holes at each location to a minimum depth of 30". You need to be below the frost line in your area.
4. Place the seat into the holes and support at the desired height. Level the seat.
5. Fill the holes with concrete and crown the top so that water will run off. Let stand for 24 hours before removing the supports.

Tools List

- 7/16" Drill bit
- 9/16" Socket
- 9/16" Wrench
- Impact Gun (Optional)
- Drill
- Level

Periodic check of bolts tightness recommended

In accordance to California law: WARNING - This product contains a chemical known to the State of California to cause cancer and birth defects or other reproductive harm.



PREMIER POLYSTEEL

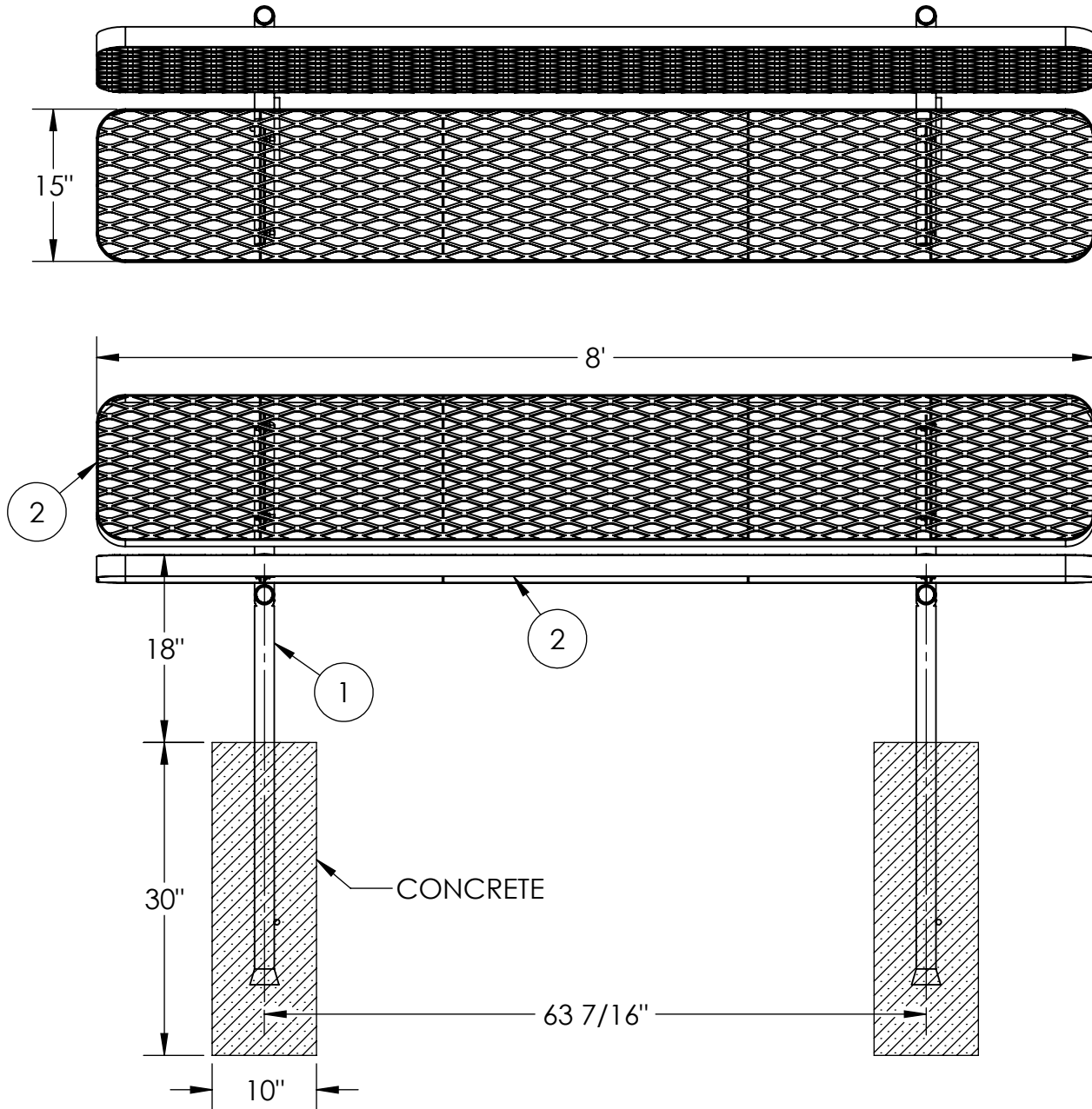
The Best Commercial Outdoor Furniture Available. Period.





CHAMPION SUPREME 8' WITH BACK, DIRECT BURY

936-502



ITEM NO.	PART NUMBER	DESCRIPTION	QTY.
1	630-120	Supreme Direct Bury stand	2
2	622-115	8' Supreme Champ Seat/Back	2
3	516-058	3/8"x1-1/2" SS Hex Bolt	8
4	516-023	3/8" SS Flat Washer	16
5	516-028	3/8" SS Nylock Nut	8

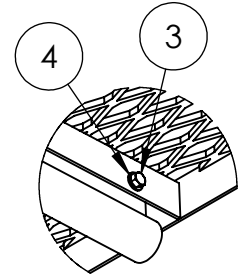
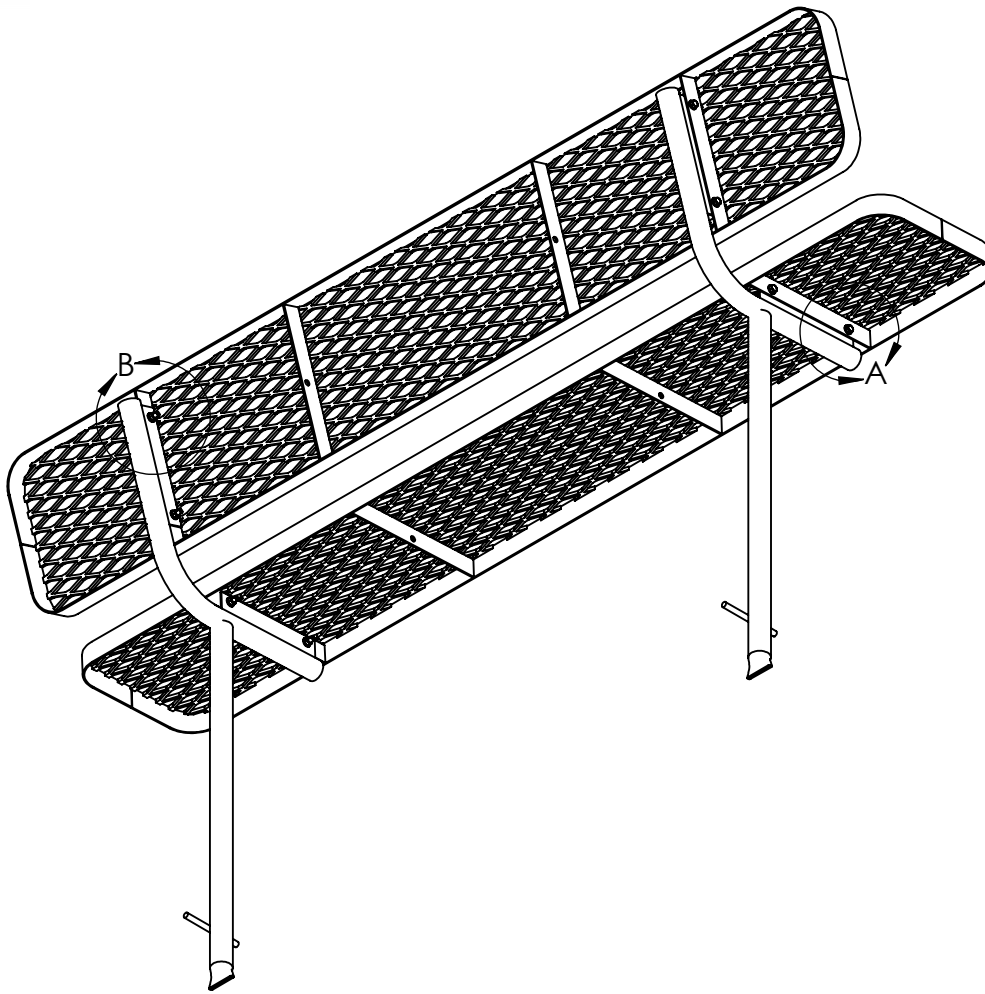


PREMIER POLYSTEEL

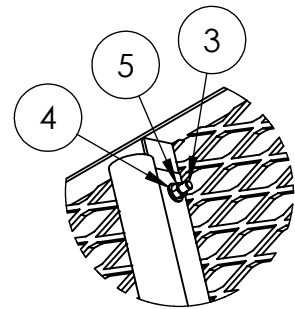
The Best Commercial Outdoor Furniture Available. Period.



SIZE
A



DETAIL A
SCALE 1 : 8



DETAIL B
SCALE 1 : 8

1. Drill plastic out of the mounting holes on the legs, seat and back using a 7/16" diameter drill bit.
2. Bolt the seat and back to the legs and tighten up.
3. Mark out the holes for the legs on the ground in the desired location. Drill 10" diameter holes at each location to a minimum depth of 30". You need to be below the frost line in your area.
4. Place the seat into the holes and support at the desired height. Level the seat.
5. Fill the holes with concrete and crown the top so that water will run off. Let stand for 24 hours before removing the supports.

Tools List

- 7/16" Drill bit
- 9/16" Socket
- 9/16" Wrench
- Level
- Impact Gun (Optional)
- Drill

Periodic check of bolts tightness recommended

In Accordance to California law: WARNING This product contains a chemical known to the State of California to cause cancer and birth defects or other reproductive harm.



PREMIER POLYSTEEL

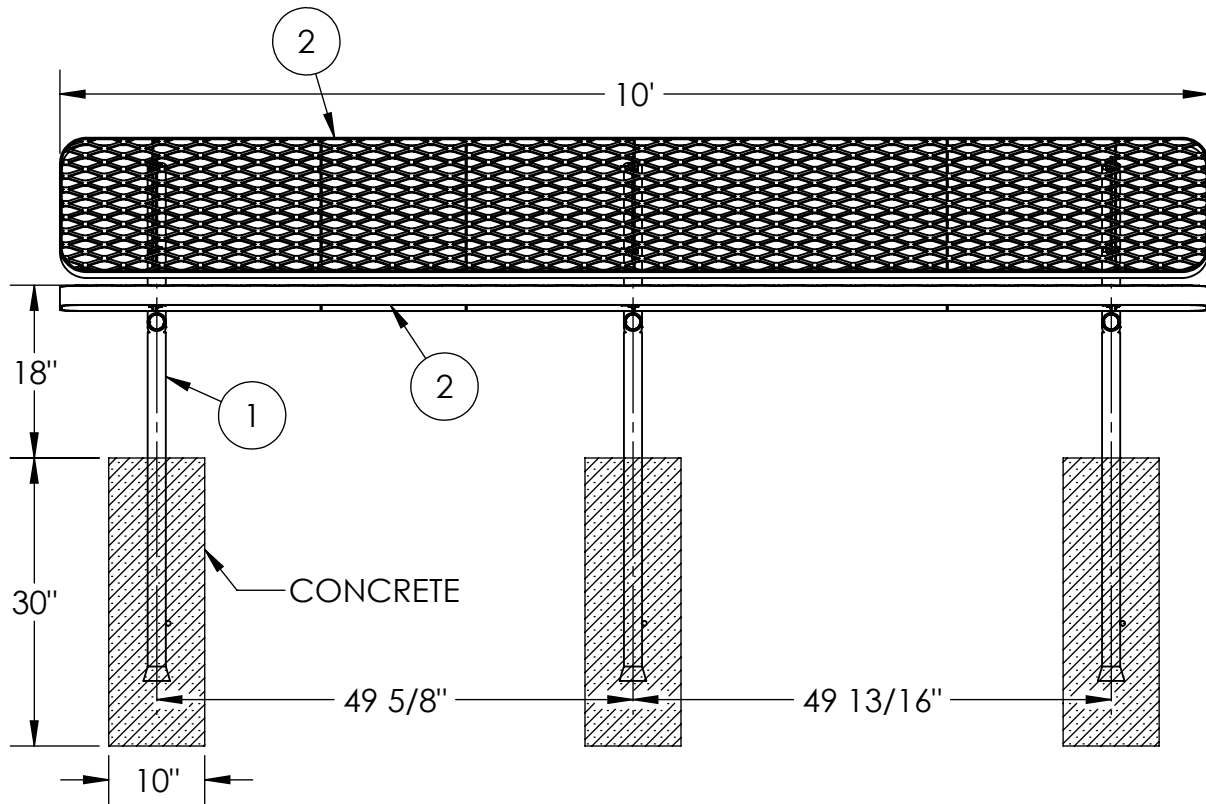
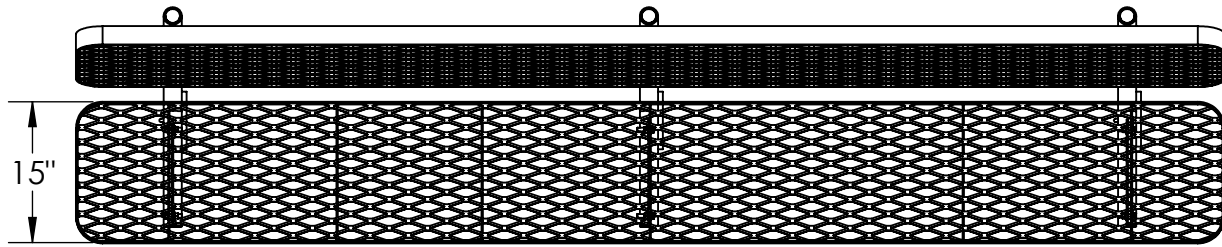
The Best Commercial Outdoor Furniture Available. Period.





CHAMPION SUPREME 10' WITH BACK, DIRECT BURY

936-602



ITEM NO.	PART NUMBER	DESCRIPTION	QTY.
1	630-120	Supreme Direct Bury stand	3
2	622-116	10' CHAMPION SEAT/BACK	2
3	516-058	3/8"x1-1/2" SS Hex Bolt	12
4	516-023	3/8" SS Flat Washer	24
5	516-028	3/8" SS Nylock Nut	12

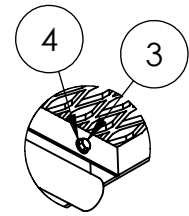
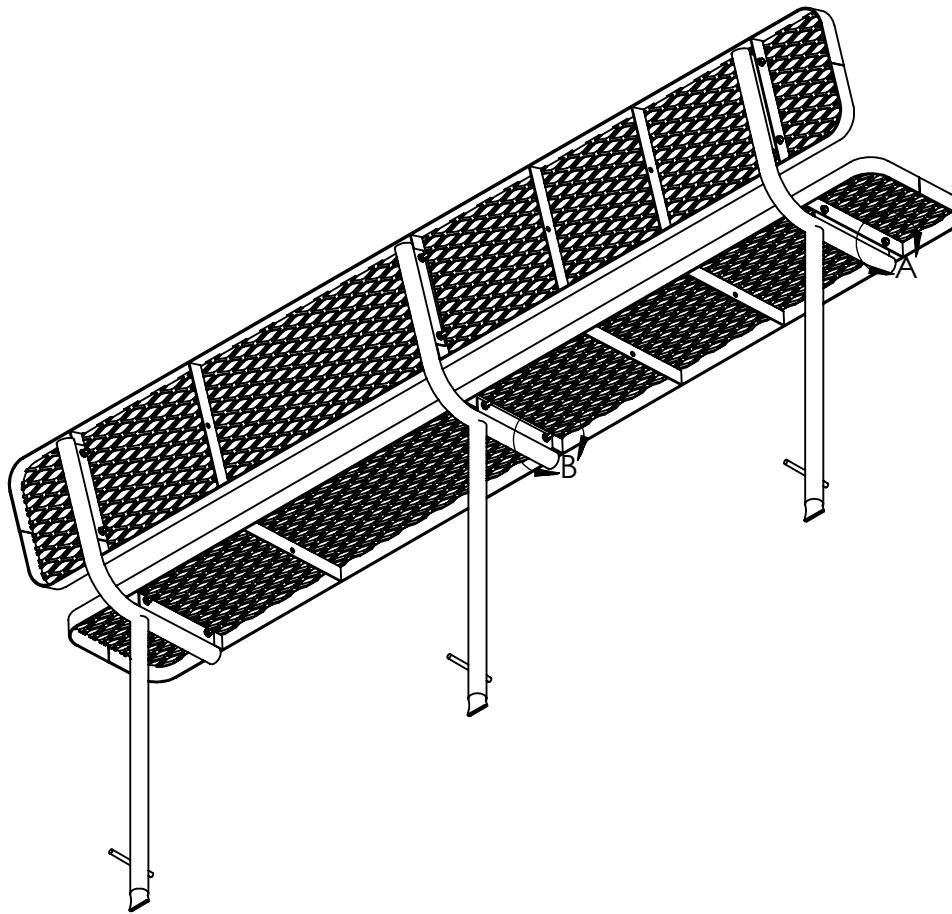


PREMIER POLYSTEEL

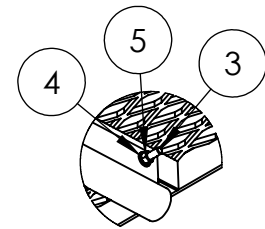
The Best Commercial Outdoor Furniture Available. Period.



SIZE
A



DETAIL A
SCALE 1 : 10



DETAIL B
SCALE 1 : 10

1. Drill plastic out of the mounting holes on the legs, seat and back using a 7/16" diameter drill bit.
2. Bolt the seat and back to the legs and tighten up.
3. Mark out the holes for the legs on the ground in the desired location. Drill 10" diameter holes at each location to a minimum depth of 30". You need to be below the frost line in your area.
4. Place the seat into the holes and support at the desired height. Level the seat.
5. Fill the holes with concrete and crown the top so that water will run off. Let stand for 24 hours before removing the supports.

Tools List

- 7/16" Drill bit
- 9/16" Socket
- 9/16" Wrench
- Level
- Impact Gun (Optional)
- Drill

Periodic check of bolts tightness recommended

In Accordance to California law: WARNING This product contains a chemical known to the State of California to cause cancer and birth defects or other reproductive harm.



PREMIER POLYSTEEL

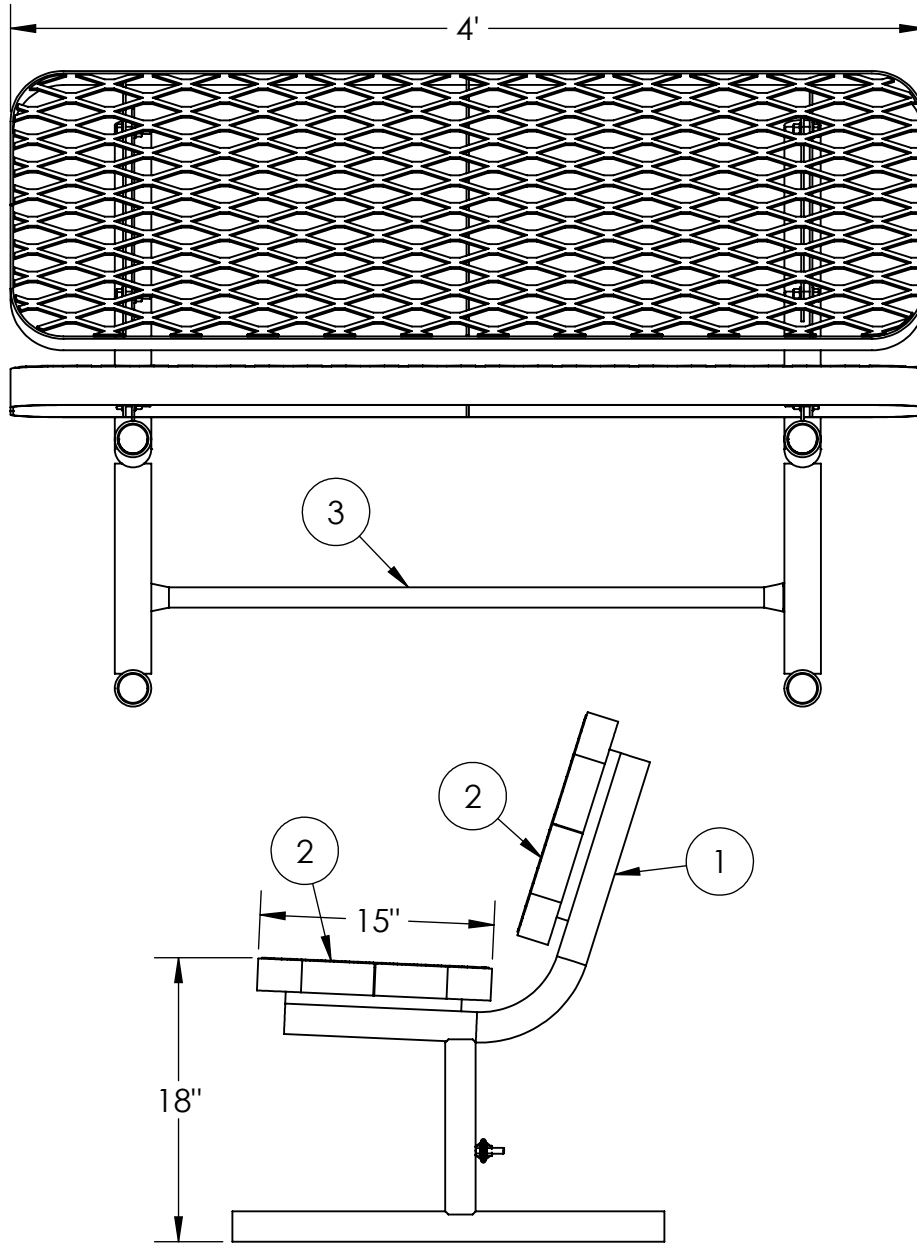
The Best Commercial Outdoor Furniture Available. Period.





CHAMPION SUPREME 4' WITH BACK, FREESTANDING

936-101



ITEM NO.	PART NUMBER	DESCRIPTION	QTY.
1	630-110	Supreme Bench With Back Stand FS	2
2	622-111	4' Supreme Champion Seat	2
3	630-011	4' Bench with Back Brace	1
4	516-023	3/8" SS Flat Washer	20
5	516-028	3/8" SS Nylock Nut	10
6	516-058	3/8"x1-1/2" SS Hex Bolt	8

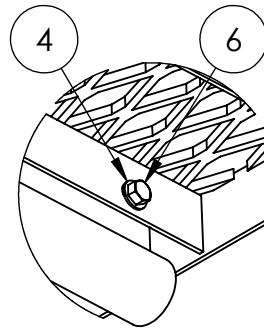
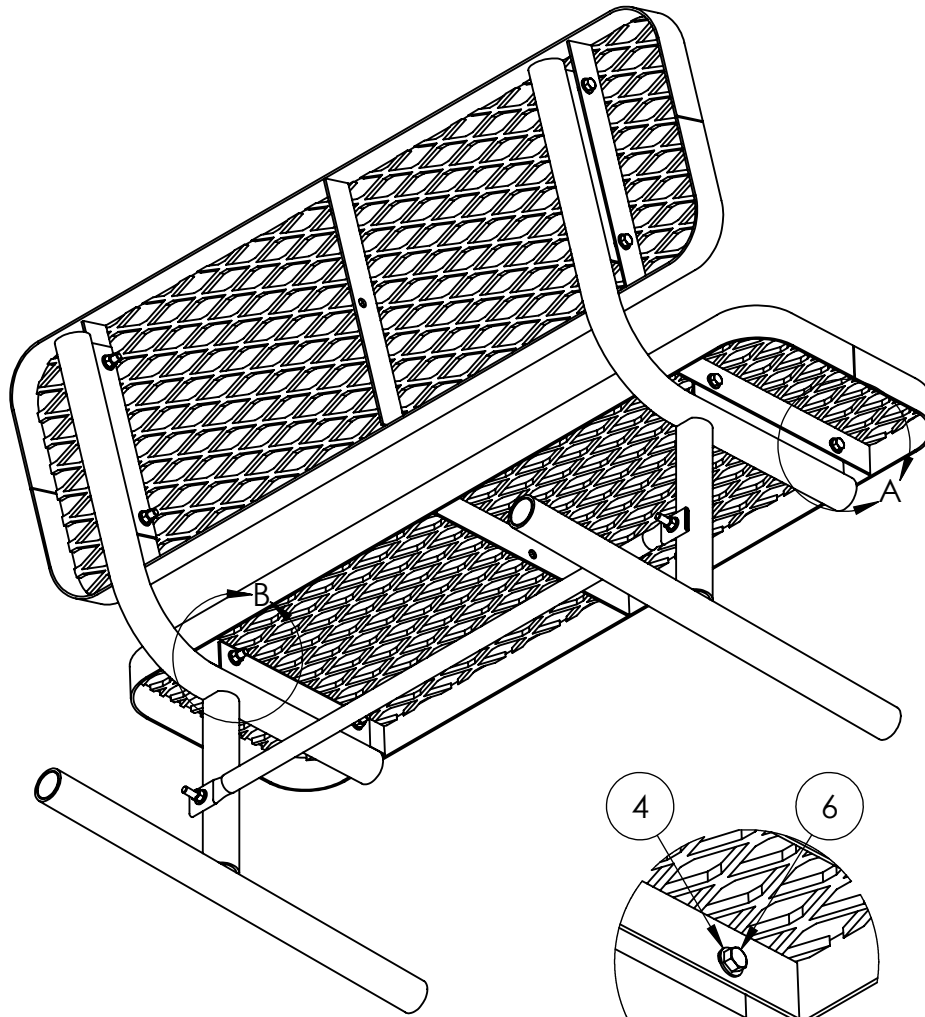


PREMIER POLYSTEEL

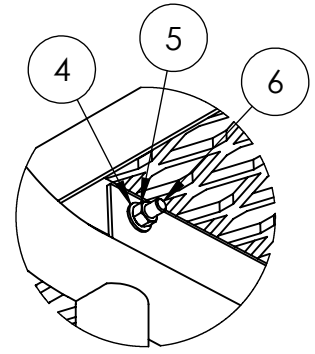
The Best Commercial Outdoor Furniture Available. Period.



SIZE
A



DETAIL A
SCALE 1 : 5



DETAIL B
SCALE 1 : 5

1. Drill plastic out of the mounting holes on the stands, seat and back using a 7/16" diameter drill bit.
2. Attach seat and back to the stands with fixings provided. Do not tighten up.
3. Attach the brace to the stands, set on level surface and tighten up all bolts.

Tools List

- 7/16" Drill bit
- 9/16" Socket
- 9/16" Wrench
- Impact Gun (Optional)
- Drill

Periodic check of bolts tightness recommended

In Accordance to California law: WARNING This product contains a chemical know to the State of California to cause cancer and birth defects or other reproductive harm.



PREMIER POLYSTEEL

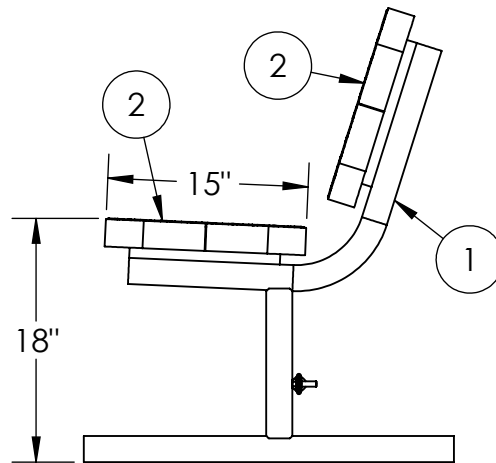
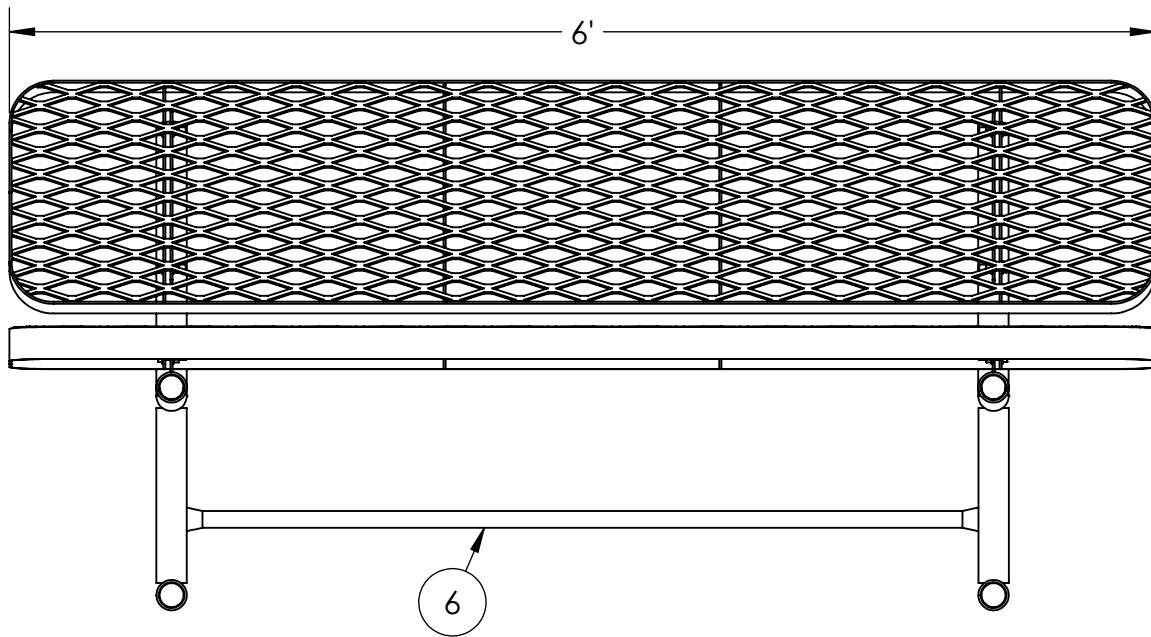
The Best Commercial Outdoor Furniture Available. Period.





CHAMPION SUPREME 6' WITH BACK, FREE STANDING

936-301



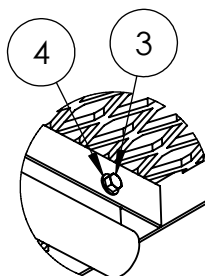
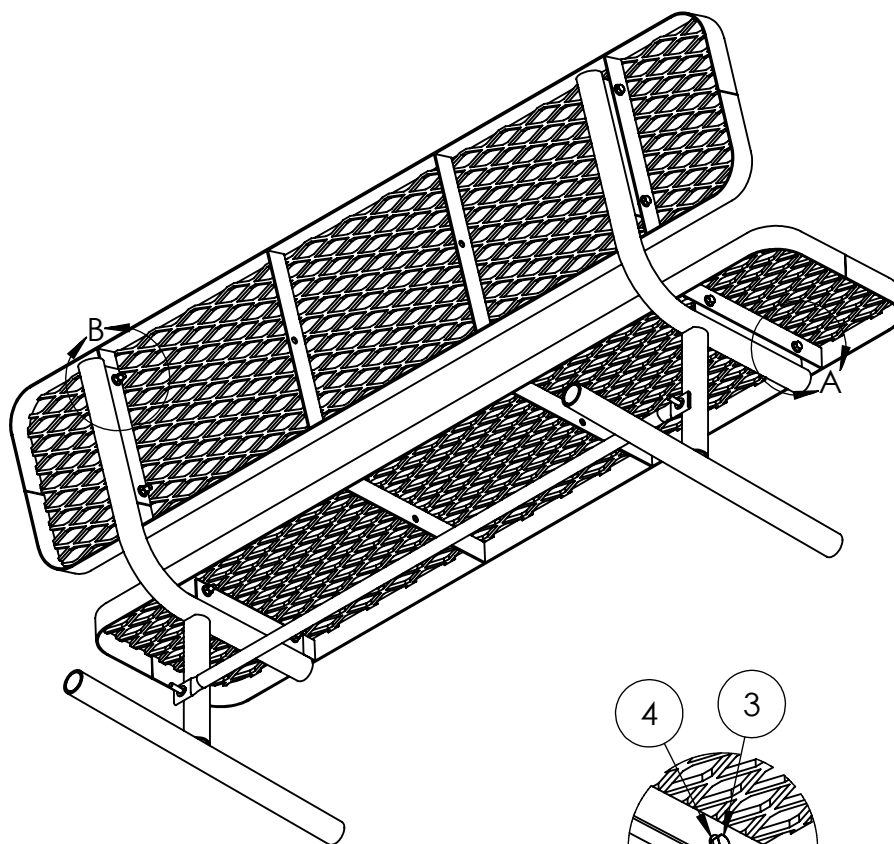
ITEM NO.	PART NUMBER	DESCRIPTION	QTY.
1	630-110	Supreme Bench With Back Stand FS	2
2	622-113	6' SUPREME CHAMPION SEAT/BACK	2
3	516-058	3/8"x1-1/2" SS Hex Bolt	8
4	516-023	3/8" SS Flat Washer	20
5	516-028	3/8" SS Nylock Nut	8
6	630-013	6' FS BENCH BRACE	1



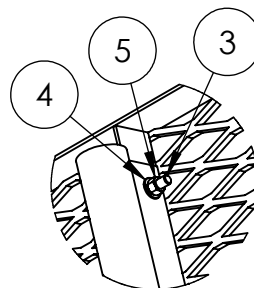
PREMIER POLYSTEEL

The Best Commercial Outdoor Furniture Available. Period.





DETAIL A
SCALE 1 : 7



DETAIL B
SCALE 1 : 7

1. Drill plastic out of the mounting holes on the stands, seat and back using a 7/16" diameter drill bit.
2. Attach seat and back to the stands with fixings provided. Do not tighten up.
3. Attach the brace to the stands, set on level surface and tighten up all bolts.

Tools List

- 7/16" Drill bit
- 9/16" Socket
- 9/16" Wrench
- Impact Gun (Optional)
- Drill

Periodic check of bolts tightness recommended

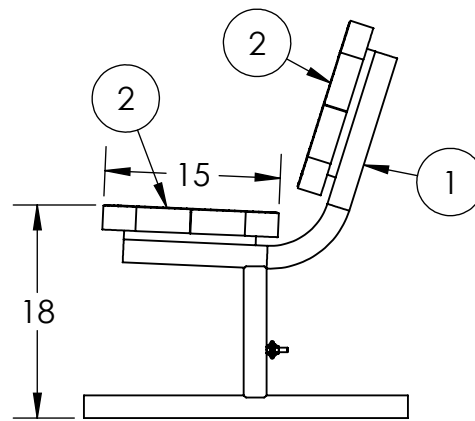
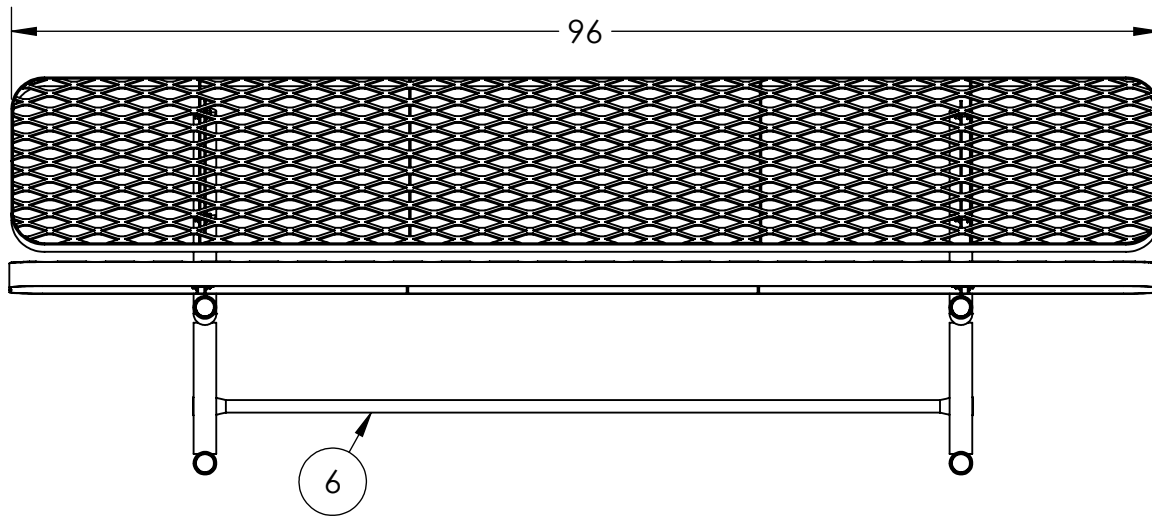
In Accordance to California law: WARNING This product contains a chemical know to the State of California to cause cancer and birth defects or other reproductive harm.



PREMIER POLYSTEEL

The Best Commercial Outdoor Furniture Available. Period.





1. Drill plastic out of the mounting holes on the stands, seat and back using a 7/16" diameter drill bit.
2. Attach seat and back to the stands with fixings provided. Do not tighten up.
3. Attach the brace to the stands, set on level surface and tighten up all bolts.

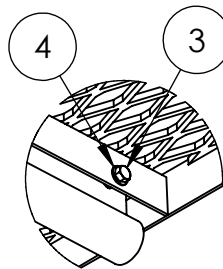
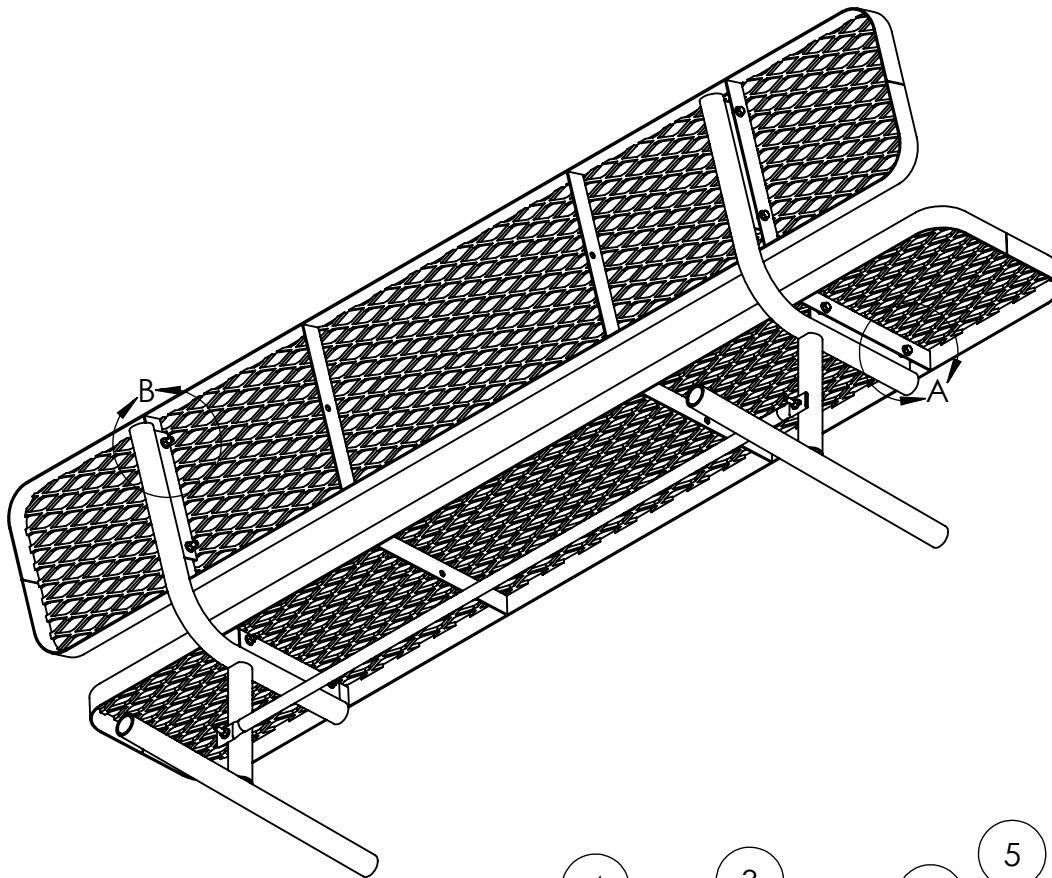
ITEM NO.	PART NUMBER	DESCRIPTION	QTY.
1	630-110	Supreme Bench With Back Stand FS	2
2	622-115	8' Supreme Champ Seat/Back	2
3	516-058	3/8"x1-1/2" SS Hex Bolt	8
4	516-023	3/8" SS Flat Washer	20
5	516-028	3/8" SS Nylock Nut	10
6	630-017	8' BENCH BRACE	1



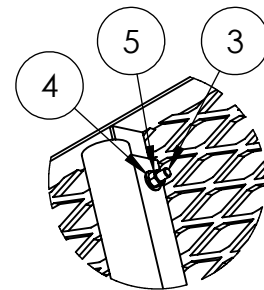
PREMIER POLYSTEEL

The Best Commercial Outdoor Furniture Available. Period.





DETAIL A
SCALE 2 : 15



DETAIL B
SCALE 2 : 15

Tools List

- 7/16" Drill bit
- 9/16" Socket
- 9/16" Wrench
- Impact Gun (Optional)
- Drill

Periodic check of bolts tightness recommended

In Accordance to California law: WARNING This product contains a chemical known to the State of California to cause cancer and birth defects or other reproductive harm.



PREMIER POLYSTEEL

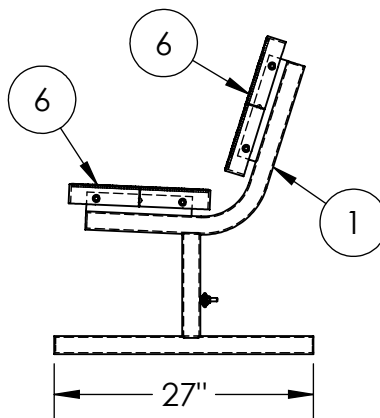
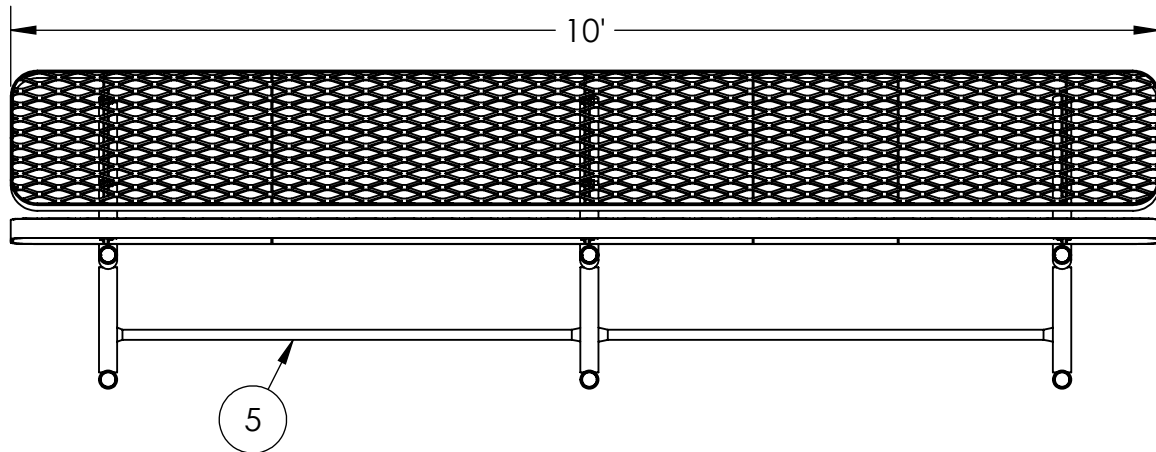
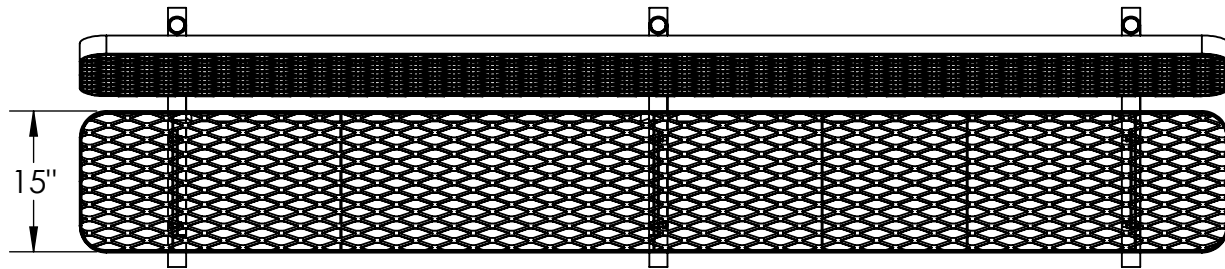
The Best Commercial Outdoor Furniture Available. Period.





CHAMPION SUPREME 10' WITH BACK, FREE STANDING

936-601



ITEM NO.	PART NUMBER	DESCRIPTION	QTY.
1	630-110	Supreme Bench With Back Stand FS	3
2	516-058	3/8"x1-1/2" SS Hex Bolt	10
3	516-023	3/8" SS Flat Washer	26
4	516-028	3/8" SS Nylock Nut	13
5	630-016	10' BENCH WITH BACK BRACE	1
6	622-116	10' CHAMPION SEAT/BACK	2

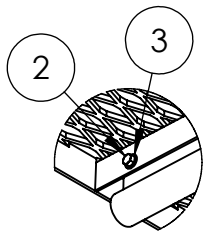
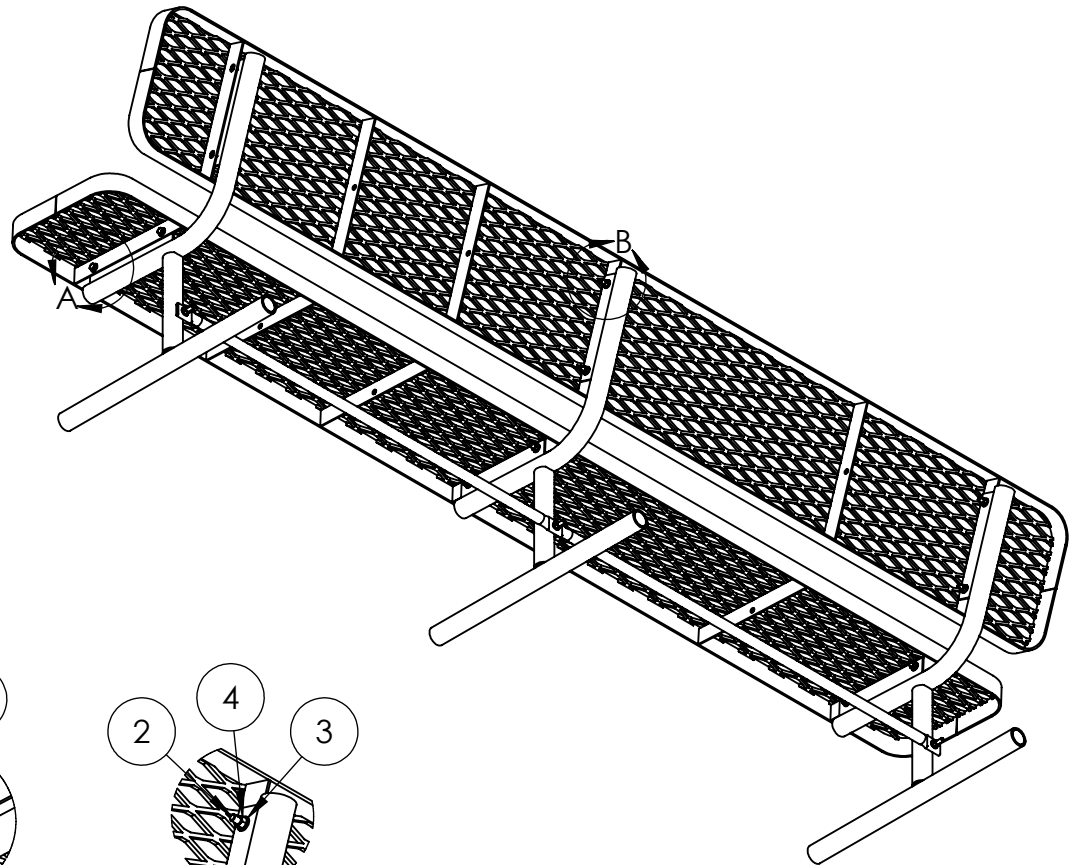


PREMIER POLYSTEEL

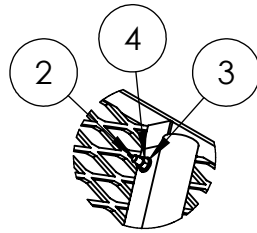
The Best Commercial Outdoor Furniture Available. Period.



SIZE
A



DETAIL A
SCALE 1 : 10



DETAIL B
SCALE 1 : 10

1. Drill plastic out of the mounting holes on the stands, seat and back using a 7/16" diameter drill bit.
2. Attach seat and back to the stands with fixings provided. Do not tighten up.
3. Attach the brace to the stands, set on level surface and tighten up all bolts.

Tools List

- 7/16" Drill bit
- 9/16" Socket
- 9/16" Wrench
- Impact Gun (Optional)
- Drill

Periodic check of bolts tightness recommended

In Accordance to California law: WARNING This product contains a chemical know to the State of California to cause cancer and birth defects or other reproductive harm.



PREMIER POLYSTEEL

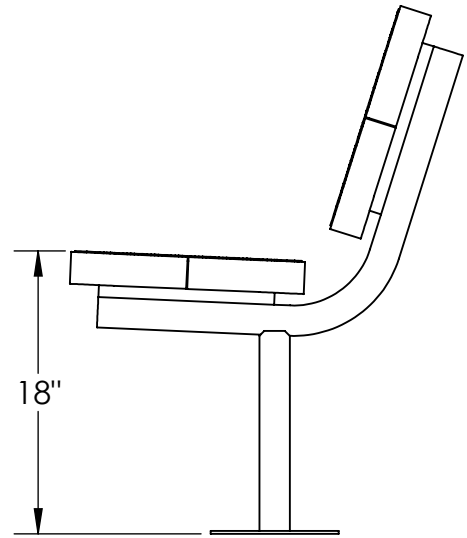
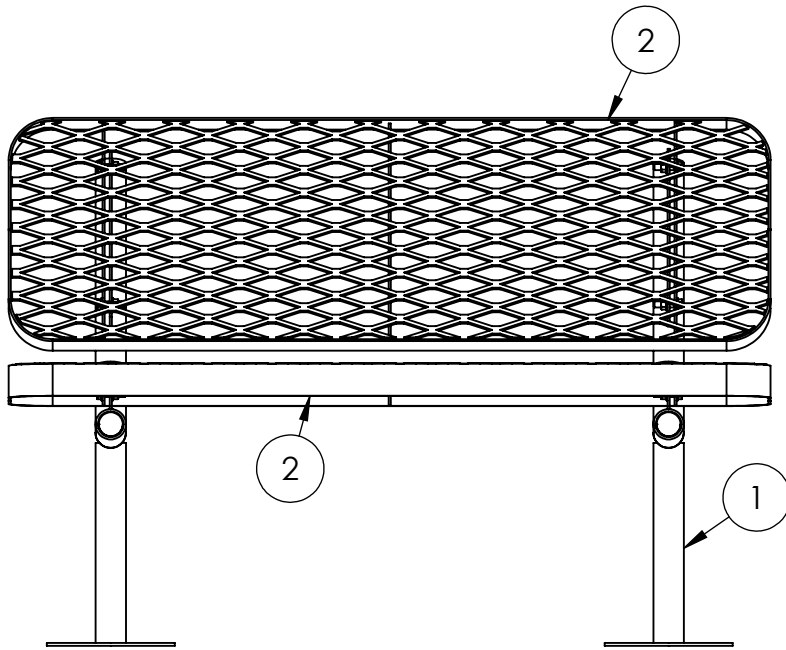
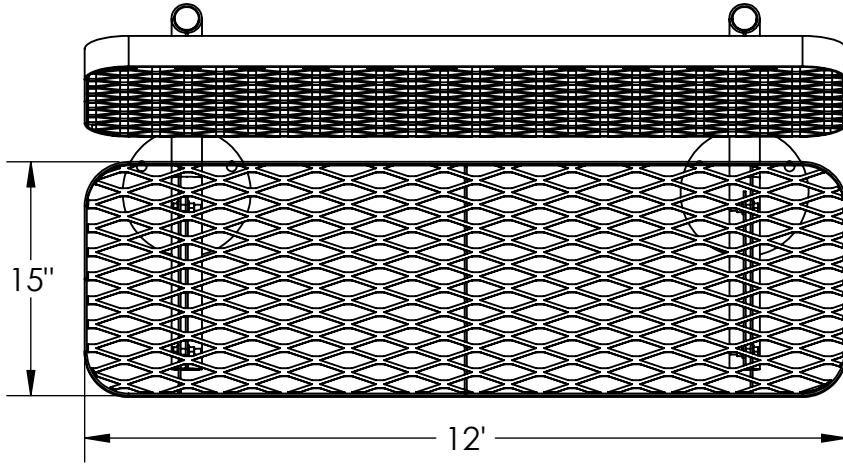
The Best Commercial Outdoor Furniture Available. Period.





CHAMPION SUPREME 4' WITH BACK, SURFACE MOUNT

936-107



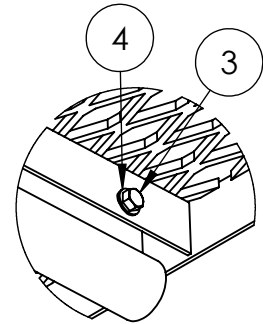
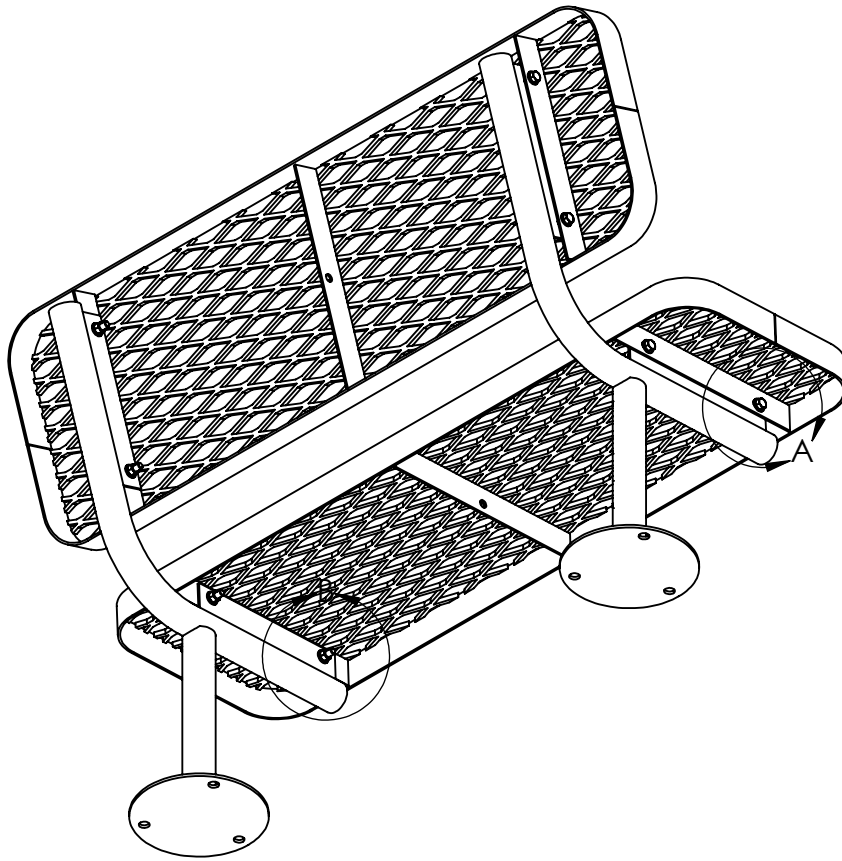
ITEM NO.	PART NUMBER	DESCRIPTION	QTY.
1	633-112	Supreme Stand With Back SM	2
2	622-111	4' Supreme Champion Seat	2
3	516-058	3/8"x1-1/2" SS Hex Bolt	8
4	516-023	3/8" SS Flat Washer	16
5	516-028	3/8" SS Nylock Nut	8



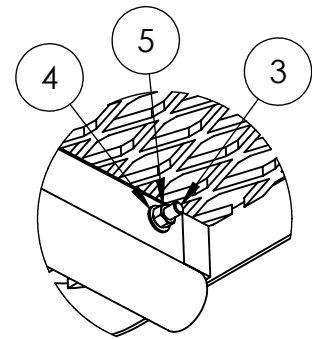
PREMIER POLYSTEEL

The Best Commercial Outdoor Furniture Available. Period.





DETAIL A
SCALE 2 : 11



DETAIL B
SCALE 2 : 11

1. Drill plastic out of the mounting holes on the stands, seat and back using a 7/16" diameter drill bit.
2. Attach seat and back to the stands with fixings provided. Do not tighten up.
3. Attach the brace to the stands and tighten up all bolts.
4. Stand the bench in its final location and mark out base holes.
5. Move the bench to a safe place and drill holes.
6. Place the bench back, level and secure down using appropriate fixings for the ground material.

Tools List

- 7/16" Drill bit
- 9/16" Socket
- 9/16" Wrench
- Level
- Impact Gun (Optional)
- Drill

Periodic check of bolts tightness recommended

In Accordance to California law: WARNING This product contains a chemical know to the State of California to cause cancer and birth defects or other reproductive harm.



PREMIER POLYSTEEL

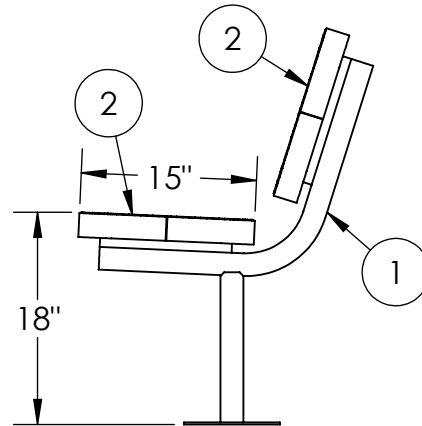
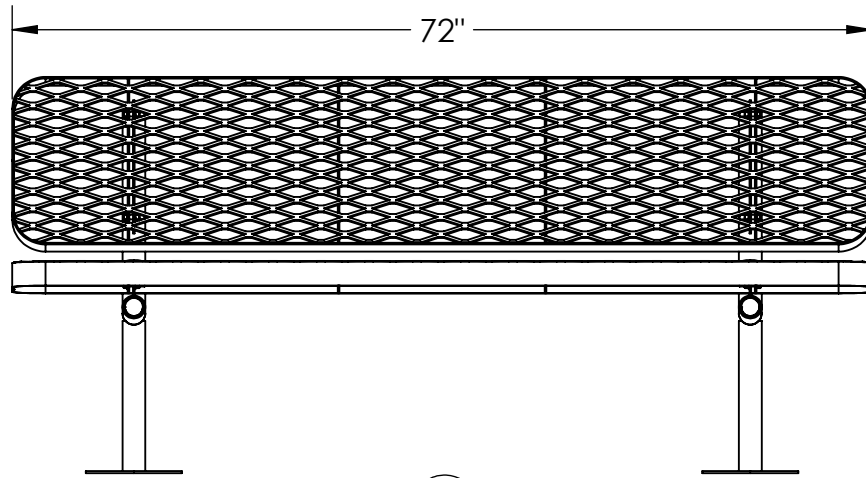
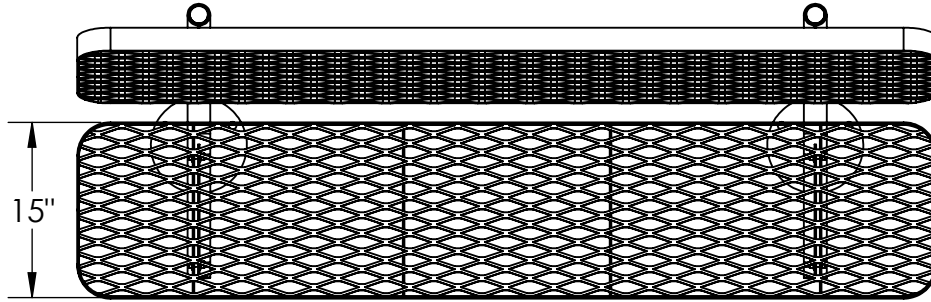
The Best Commercial Outdoor Furniture Available. Period.





CHAMPION SUPREME 6' WITH BACK, SURFACE MOUNT

936-307



ITEM NO.	PART NUMBER	DESCRIPTION	QTY.
1	633-112	Supreme Stand With Back SM	2
2	622-113	6' SUPREME CHAMPION SEAT/BACK	2
3	516-058	3/8"x1-1/2" SS Hex Bolt	8
4	516-023	3/8" SS Flat Washer	14
5	516-028	3/8" SS Nylock Nut	8



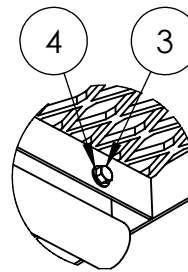
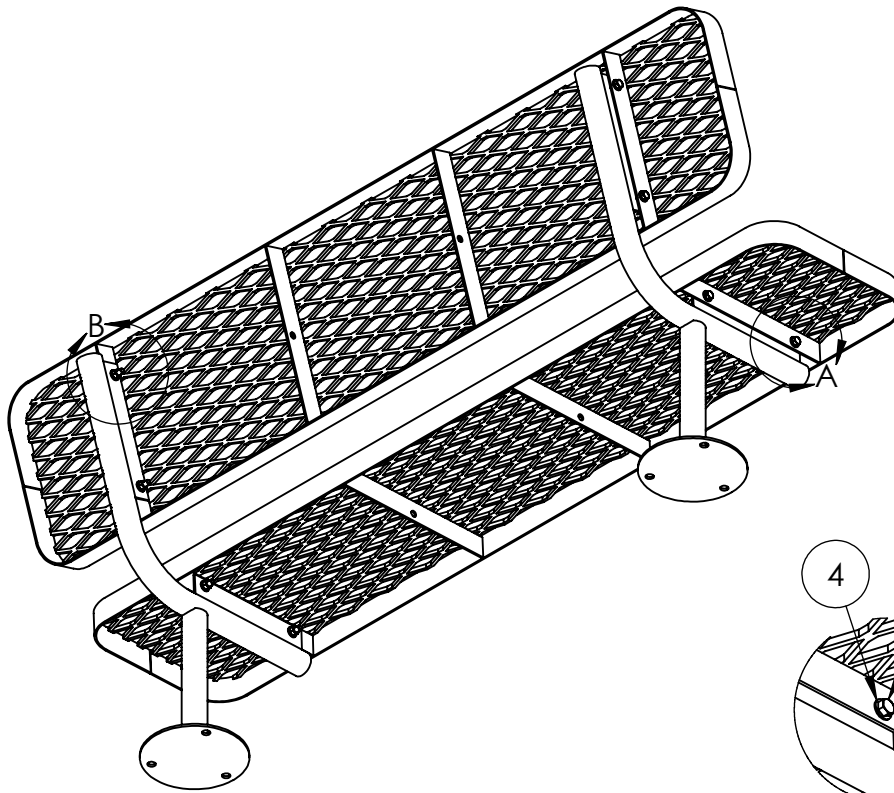
PREMIER POLYSTEEL

The Best Commercial Outdoor Furniture Available. Period.

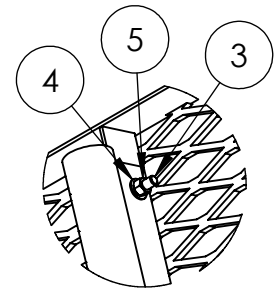


SIZE
A

REV. X.01 | SHEET 1 OF 2



DETAIL A
SCALE 1 : 7



DETAIL B
SCALE 1 : 7

1. Drill plastic out of the mounting holes on the stands, seat and back using a 7/16" diameter drill bit.
2. Attach seat and back to the stands with fixings provided. Do not tighten up.
3. Attach the brace to the stands and tighten up all bolts.
4. Stand the bench in its final location and mark out base holes.
5. Move the bench to a safe place and drill holes.
6. Place the bench back, level and secure down using appropriate fixings for the ground material.

Tools List

- 7/16" Drill bit
- 9/16" Socket
- 9/16" Wrench
- Level
- Impact Gun (Optional)
- Drill

Periodic check of bolts tightness recommended

In Accordance to California law: WARNING This product contains a chemical know to the State of California to cause cancer and birth defects or other reproductive harm.



PREMIER POLYSTEEL

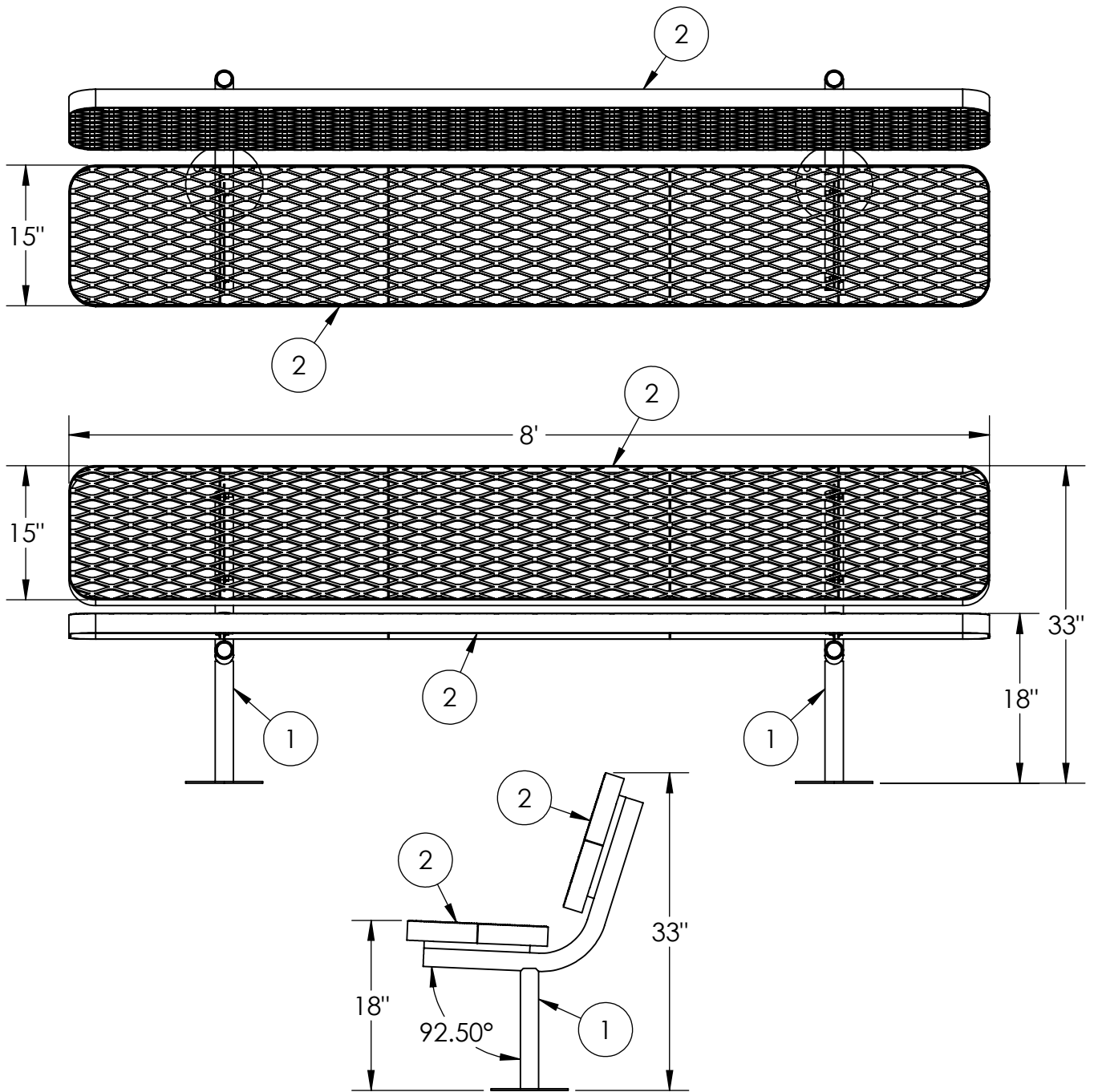
The Best Commercial Outdoor Furniture Available. Period.





CHAMPION SUPREME 8' WITH BACK, SURFACE MOUNT

936-507



ITEM NO.	PART NUMBER	DESCRIPTION	QTY.
1	633-112	Supreme Stand With Back SM	2
2	622-115	8' Supreme Champ Seat/Back	2
3	516-058	3/8"x1-1/2" SS Hex Bolt	8
4	516-023	3/8" SS Flat Washer	16
5	516-028	3/8" SS Nylock Nut	8



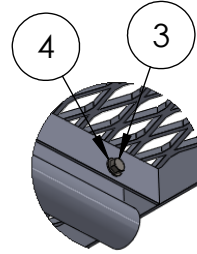
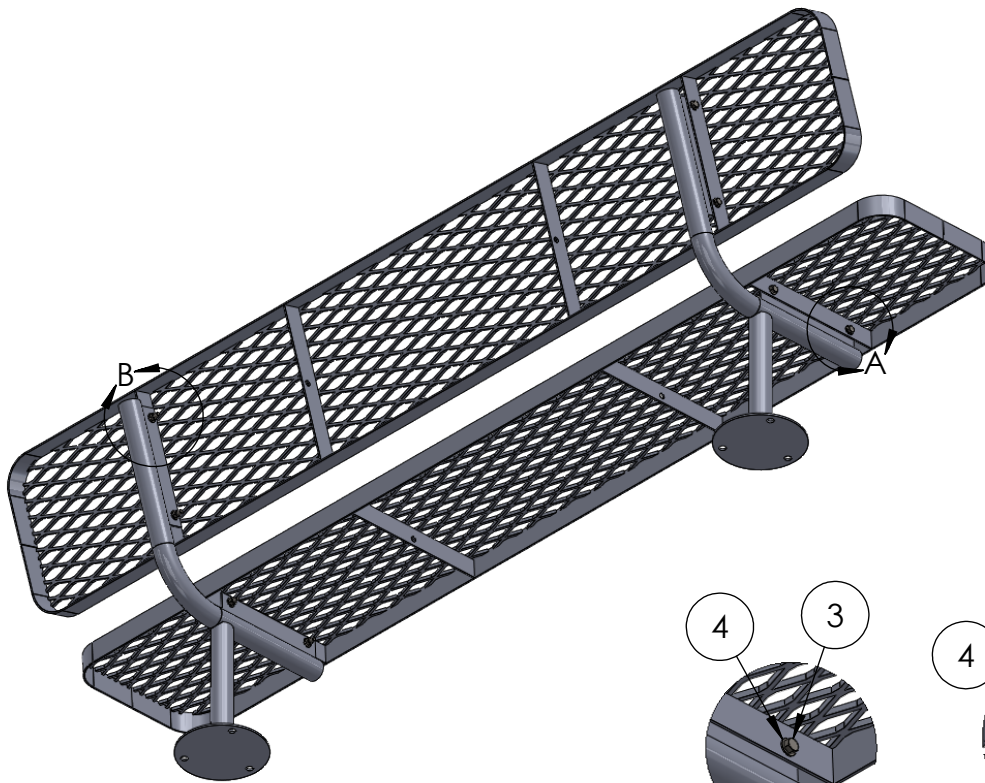
PREMIER POLYSTEEL

The Best Commercial Outdoor Furniture Available. Period.

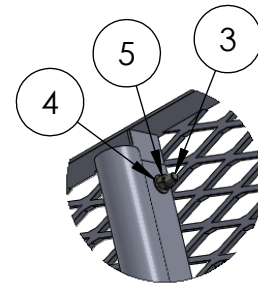


SIZE
A

REV. X.01 SHEET 1 OF 2



DETAIL A
SCALE 1 : 8



DETAIL B
SCALE 1 : 8

1. Drill plastic out of the mounting holes on the stands, seat and back using a 7/16" diameter drill bit.
2. Attach seat and back to the stands with fixings provided. Do not tighten up.
3. Attach the brace to the stands and tighten up all bolts.
4. Stand the bench in its final location and mark out base holes.
5. Move the bench to a safe place and drill holes.
6. Place the bench back, level and secure down using appropriate fixings for the ground material.

Tools List

- 7/16" Drill bit
- 9/16" Socket
- 9/16" Wrench
- Level
- Impact Gun (Optional)
- Drill

Periodic check of bolts tightness recommended

In accordance to California law: WARNING - This product contains a chemical known to the State of California to cause cancer and birth defects or other reproductive harm.



PREMIER POLYSTEEL

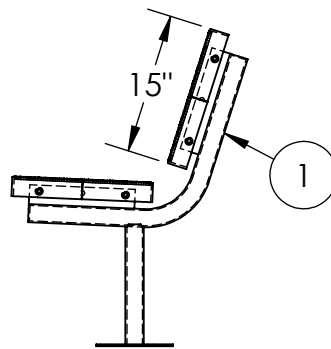
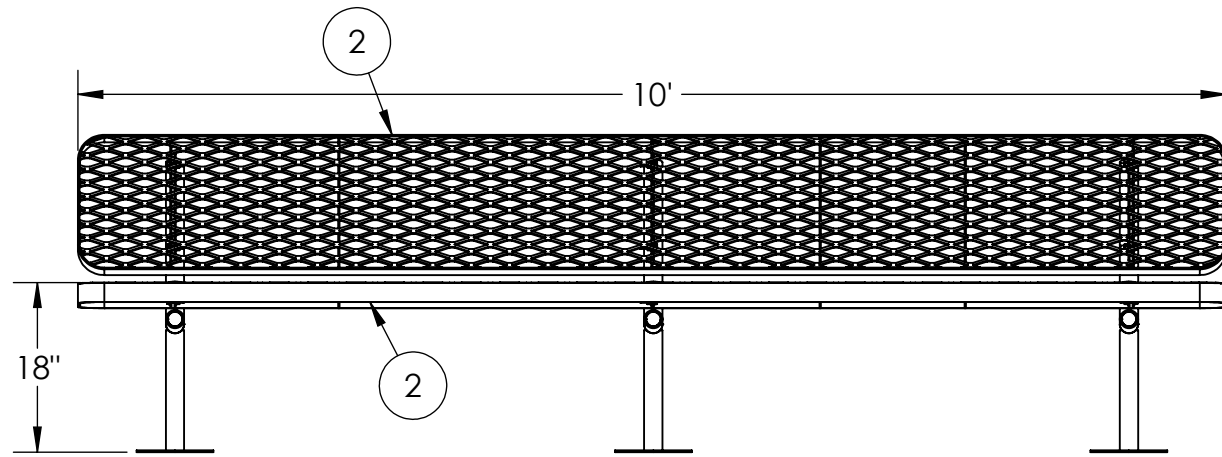
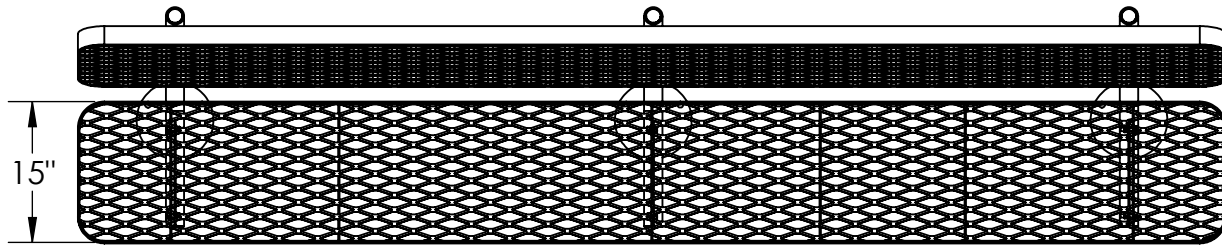
The Best Commercial Outdoor Furniture Available. Period.





CHAMPION SUPREME 10' WITH BACK, SURFACE MOUNT

936-607



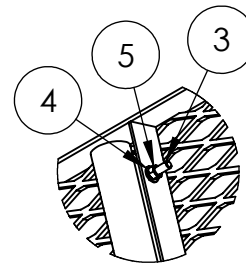
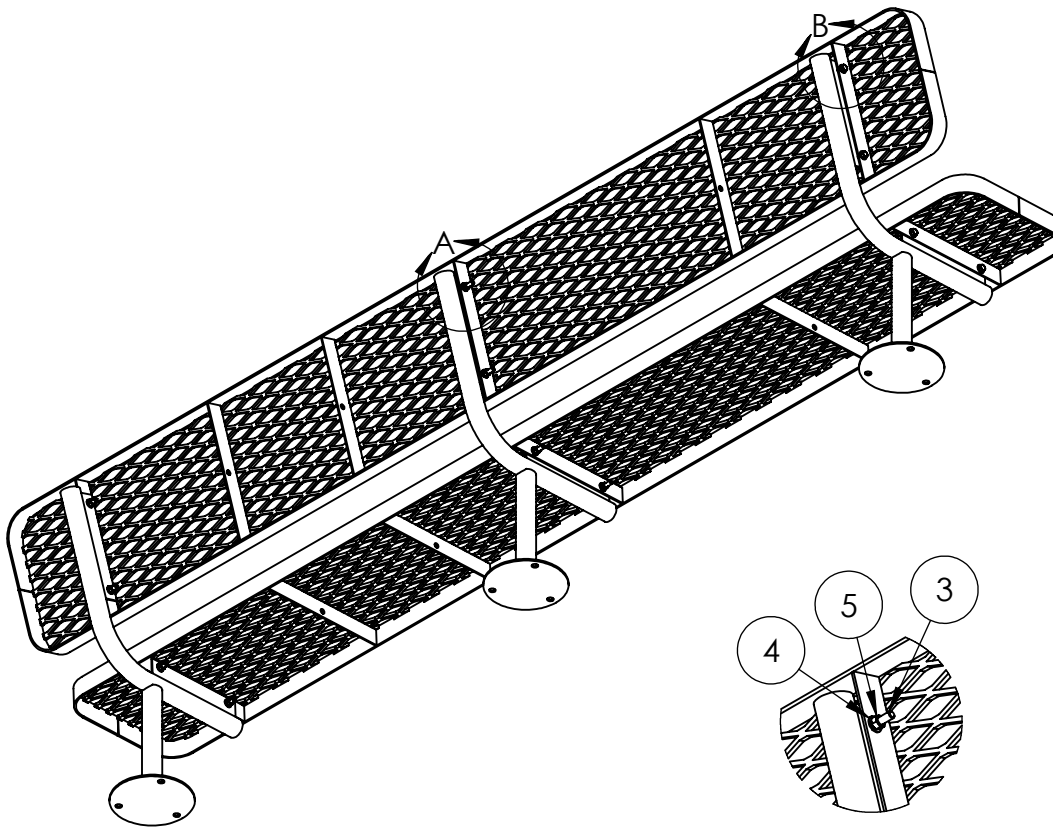
ITEM NO.	PART NUMBER	DESCRIPTION	QTY.
1	633-112	Supreme Stand With Back SM	3
2	622-116	10' CHAMPION SEAT/BACK	2
3	516-058	3/8"x1-1/2" SS Hex Bolt	12
4	516-023	3/8" SS Flat Washer	24
5	516-028	3/8" SS Nylock Nut	12



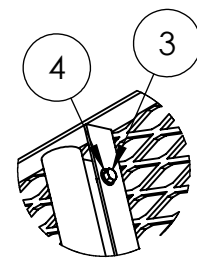
PREMIER POLYSTEEL

The Best Commercial Outdoor Furniture Available. Period.





DETAIL A
SCALE 1 : 9



DETAIL B
SCALE 1 : 9

1. Drill plastic out of the mounting holes on the stands and seats using a 7/16" diameter drill bit.
2. Attach seat to the stands with fixings provided and tighten up.
3. Stand the bench in its final location and mark out base holes.
4. Move the bench to a safe place and drill holes.
5. Place the bench back, level and secure down using appropriate fixings for the ground material.

Tools List

- 7/16" Drill bit
- 9/16" Socket
- 9/16" Wrench
- Level
- Impact Gun (Optional)
- Drill

Periodic check of bolts tightness recommended

In Accordance to California law: WARNING This product contains a chemical known to the State of California to cause cancer and birth defects or other reproductive harm.



PREMIER POLYSTEEL

The Best Commercial Outdoor Furniture Available. Period.

