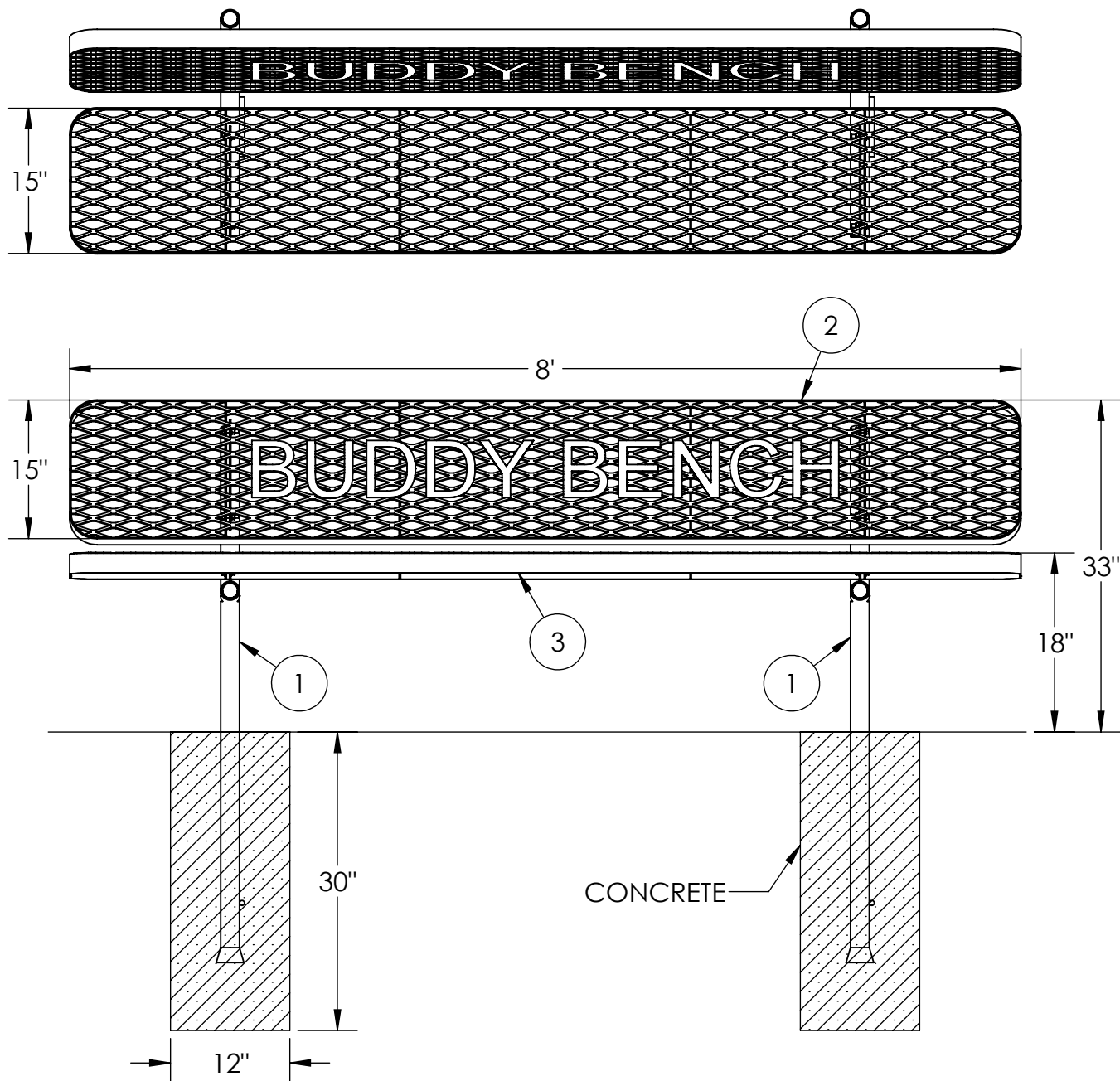




8' Champion Supreme Direct Bury Expanded Metal Buddy Bench
with back

936-5B2



| ITEM NO. | PART NUMBER | DESCRIPTION | QTY. |
|----------|-------------|----------------------------|------|
| 1 | 630-120 | Supreme Direct Bury stand | 2 |
| 2 | 622-C115 | 8' SUPREME BUDDY BENCH | 1 |
| 3 | 622-115 | 8' Supreme Champ Seat/Back | 1 |
| 4 | 516-058 | 3/8"x1-1/2" SS Hex Bolt | 8 |
| 5 | 516-023 | 3/8" SS Flat Washer | 16 |
| 6 | 516-028 | 3/8" SS Nylock Nut | 8 |



PREMIER POLYSTEEL

The Best Commercial Outdoor Furniture Available. Period.



SIZE
A

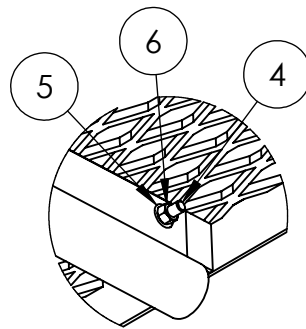
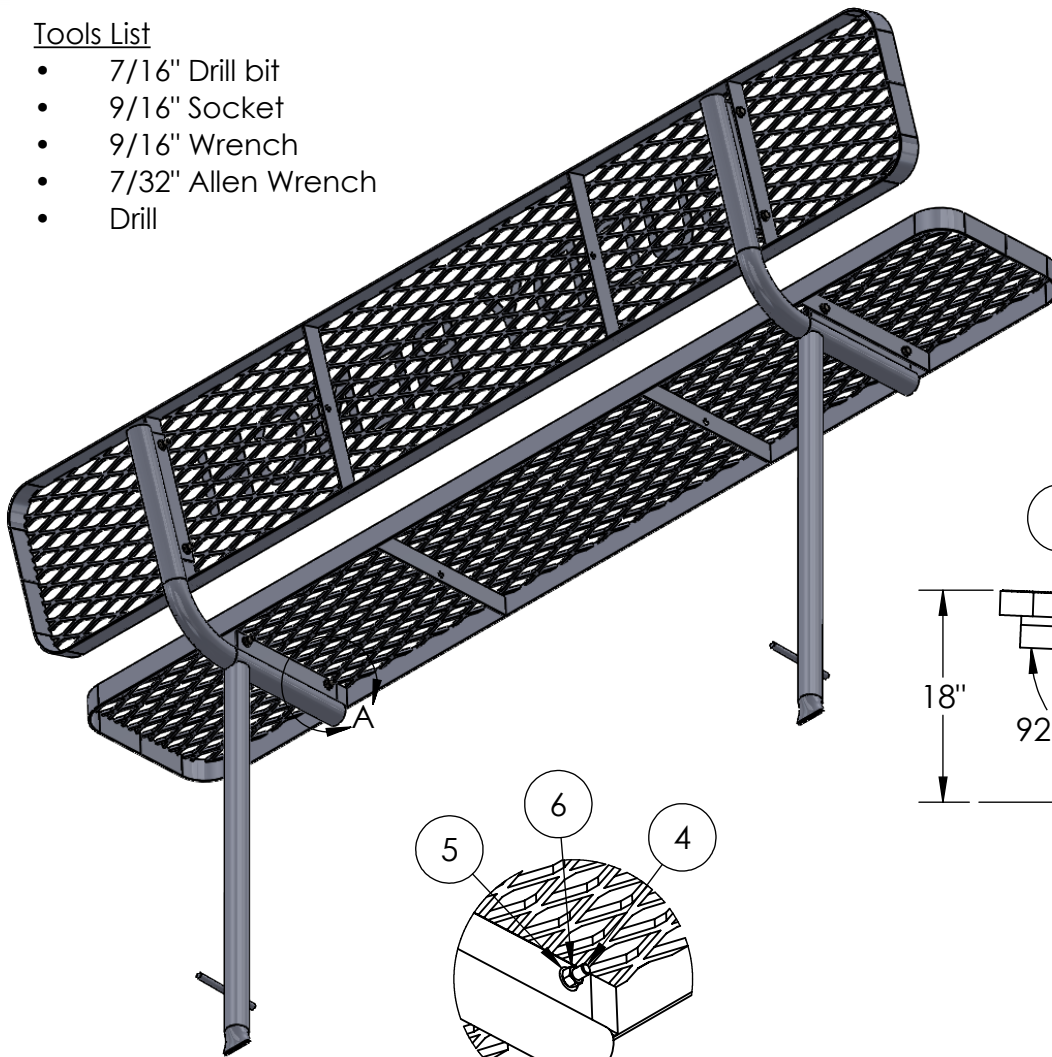


8' Champion Supreme Direct Bury Expanded Metal Buddy Bench with back

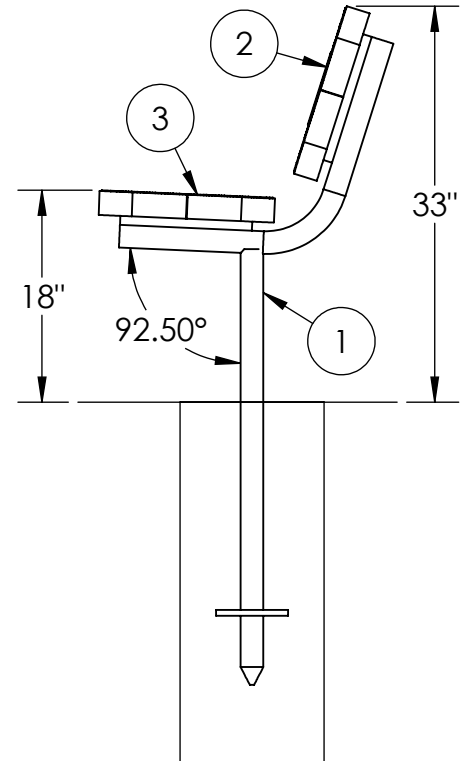
936-5B2

Tools List

- 7/16" Drill bit
- 9/16" Socket
- 9/16" Wrench
- 7/32" Allen Wrench
- Drill



DETAIL A
SCALE 1 : 6



1. Drill plastic out of the mounting holes on the legs, seat and back using a 7/16" diameter drill bit.
2. Bolt the seat and back to the legs and tighten up.
3. Mark out the holes for the legs on the ground in the desired location. Drill 10" diameter holes at each location to a minimum depth of 30". You need to be below the frost line in your area.
4. Place the seat into the holes and support at the desired height. Level the seat.
5. Fill the holes with concrete and crown the top so that water will run off. Let stand for 24 hours before removing the supports.

Periodic check of bolts tightness recommended

In accordance to California law: **WARNING** - This product contains a chemical known to the State of California to cause cancer and birth defects or other reproductive harm.



PREMIER POLYSTEEL

The Best Commercial Outdoor Furniture Available. Period.



SIZE
A

REV. X.01 | SHEET 2 OF 2