

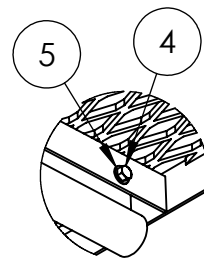
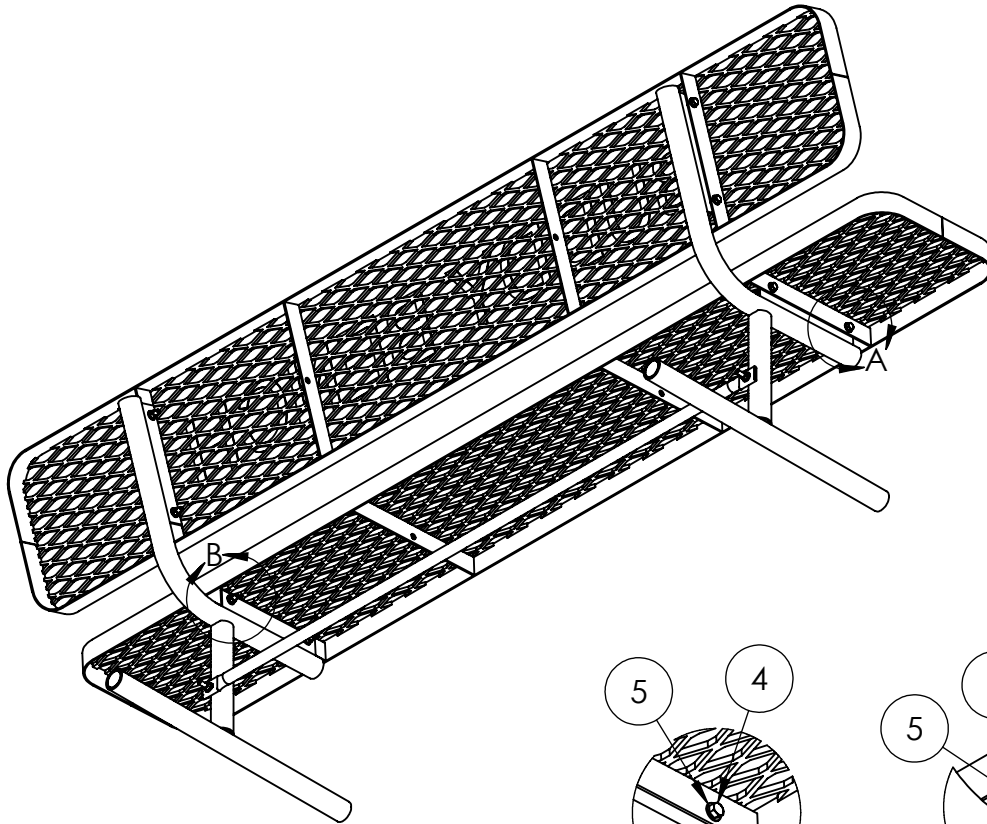
ITEM NO.	PART NUMBER	DESCRIPTION	QTY.
1	630-110	Supreme Bench With Back Stand FS	2
2	622-115	8' Supreme Champ Seat/Back	1
3	622-C115	8' SUPREME BUDDY BENCH	1
4	516-058	3/8"x1-1/2" SS Hex Bolt	8
5	516-023	3/8" SS Flat Washer	20
6	516-028	3/8" SS Nylock Nut	10
7	630-017	8' BENCH BRACE	1



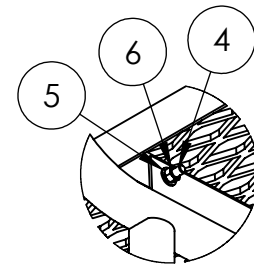
PREMIER POLYSTEEL

The Best Commercial Outdoor Furniture Available. Period.





DETAIL A
SCALE 1 : 8



DETAIL B
SCALE 1 : 8

1. Drill plastic out of the mounting holes on the stands, seat and back using a 7/16" diameter drill bit.
2. Attach seat and back to the stands with fixings provided. Do not tighten up.
3. Attach the brace to the stands and tighten up all bolts.

Tools List

- 7/16" Drill bit
- 9/16" Socket
- 9/16" Wrench
- Impact Gun (Optional)
- Drill

Periodic check of bolts tightness recommended

In Accordance to California law: WARNING This product contains a chemical known to the State of California to cause cancer and birth defects or other reproductive harm.



PREMIER POLYSTEEL

The Best Commercial Outdoor Furniture Available. Period.

