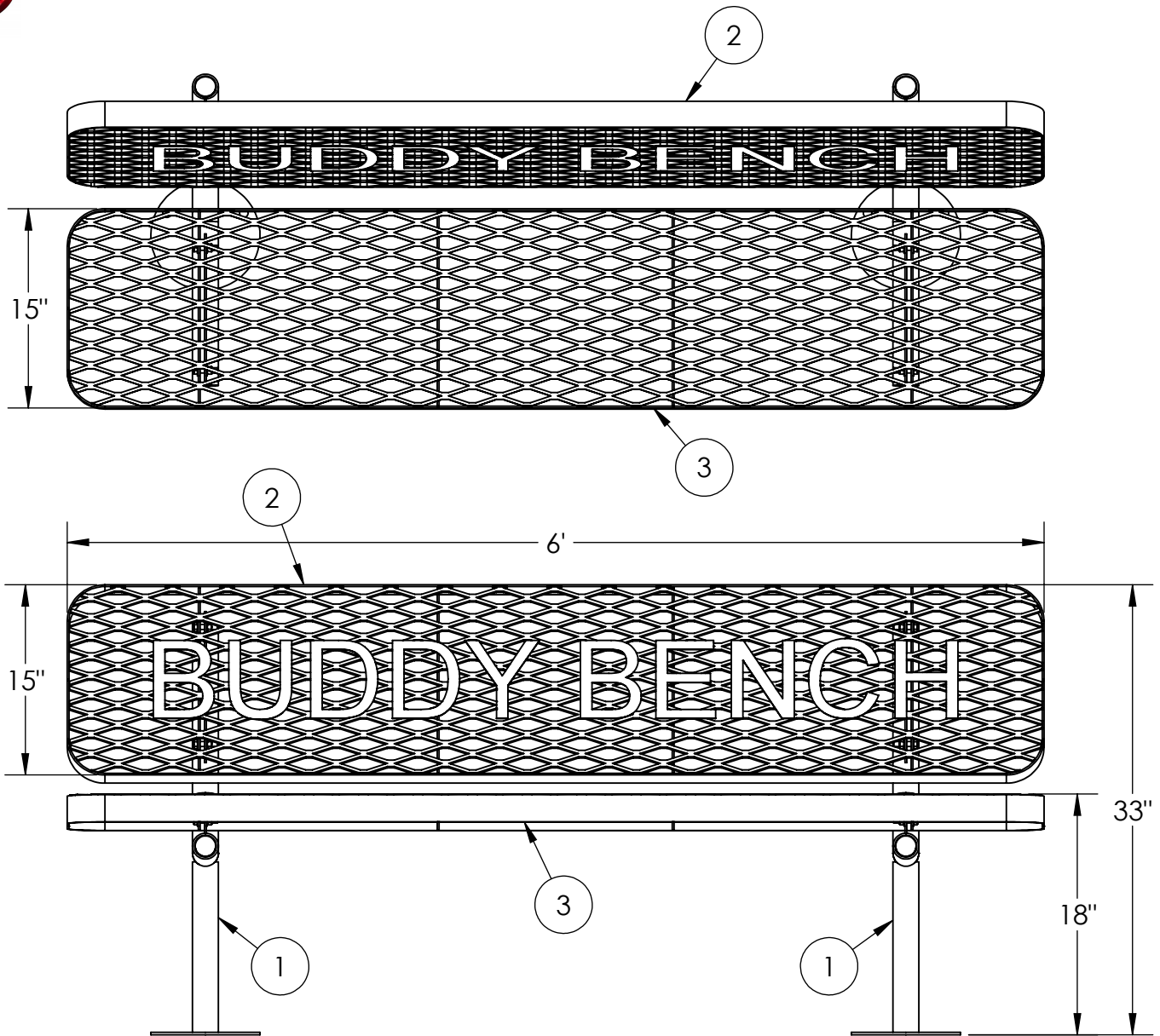


6' Champion Supreme Surface Mount Expanded Metal Buddy Bench with back **936-3B7**



ITEM NO.	PART NUMBER	DESCRIPTION	QTY.
1	633-112	Supreme Stand With Back SM	2
2	622-C113	6' SUPREME BUDDY BENCH	1
3	622-113	6' SUPREME CHAMPION SEAT/BACK	1
4	516-058	3/8"x1-1/2" SS Hex Bolt	8
5	516-023	3/8" SS Flat Washer	16
6	516-028	3/8" SS Nylock Nut	8

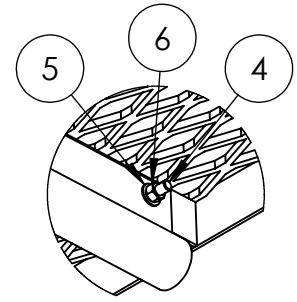
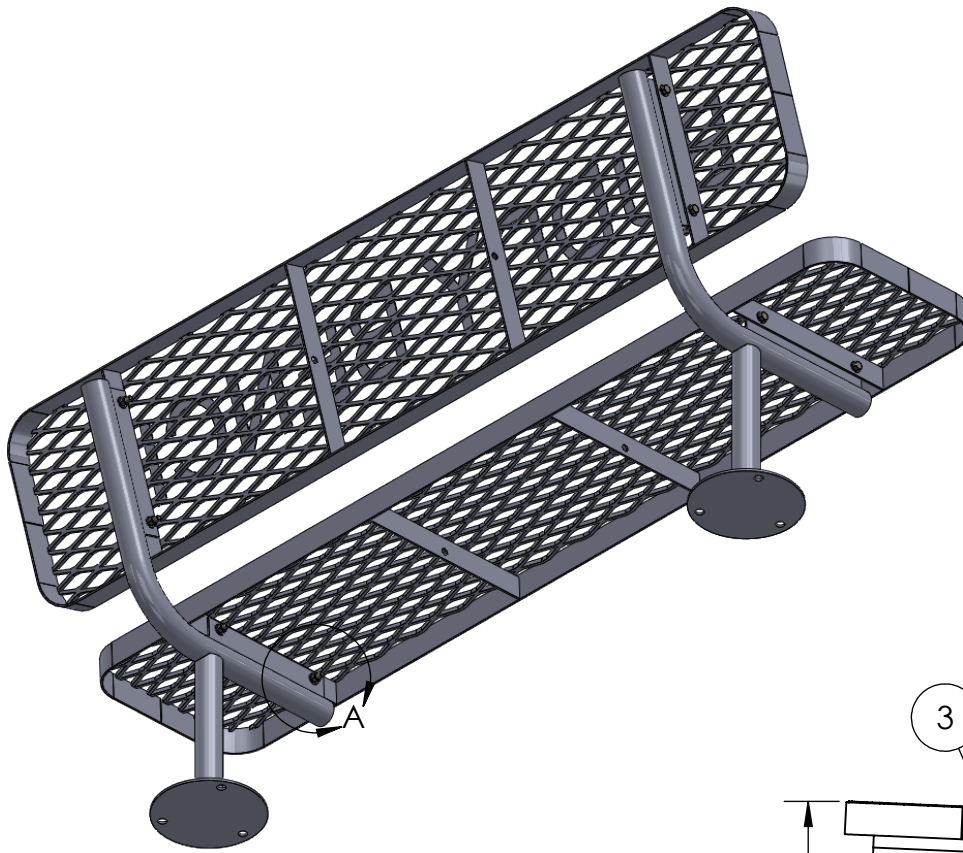


**PREMIER POLYSTEEL**

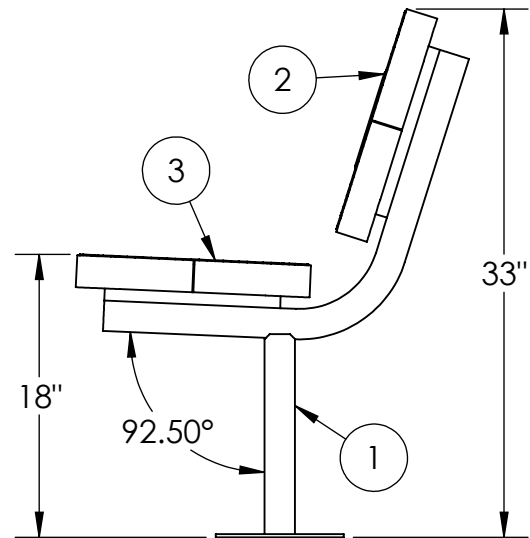
The Best Commercial Outdoor Furniture Available. Period.



# 6' Champion Supreme Surface Mount Expanded Metal Buddy Bench with back 936-3B7



DETAIL A  
SCALE 2 : 13



## Tools List

- 7/16" Drill bit
- 9/16" Socket
- 9/16" Wrench
- 7/32" Allen Wrench
- Impact Gun (Optional)
- Drill

1. Drill plastic out of the mounting holes on the stands, seat and back using a 7/16" diameter drill bit.
2. Attach seat and back to the stands with fixings provided. Do not tighten up.
3. Attach the brace to the stands and tighten up all bolts.
4. Stand the bench in its final location and mark out base holes.
5. Move the bench to a safe place and drill holes.
6. Place the bench back, level and secure down using appropriate fixings for the ground material.

*Periodic check of bolts tightness recommended*

In accordance to California law: WARNING - This product contains a chemical known to the State of California to cause cancer and birth defects or other reproductive harm.



## PREMIER POLYSTEEL

The Best Commercial Outdoor Furniture Available. Period.



SIZE  
A

REV. X.01 | SHEET 2 OF 2