

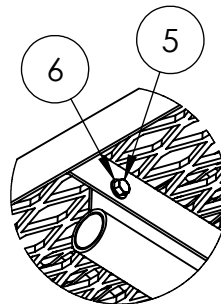
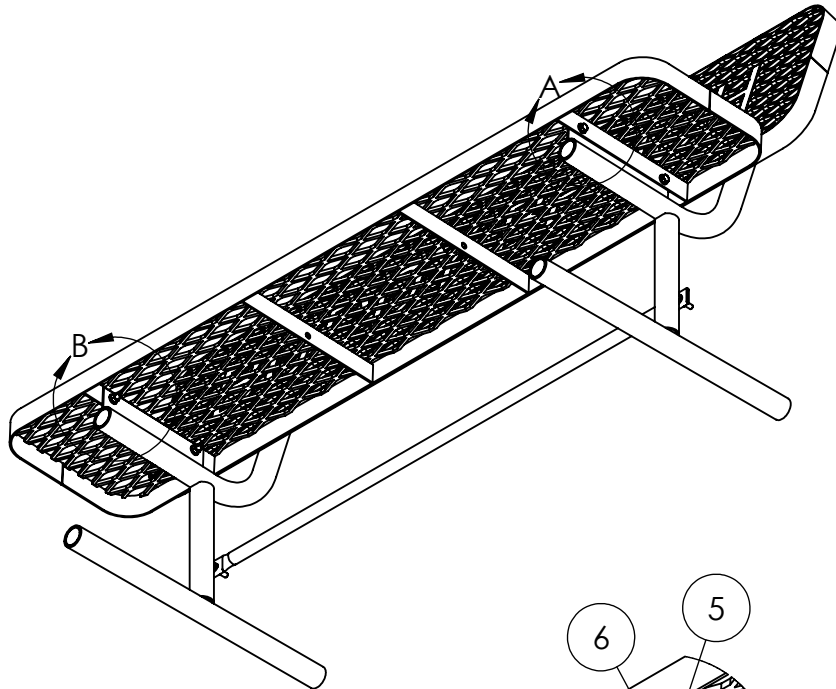
ITEM NO.	PART NUMBER	DESCRIPTION	QTY.
1	630-110	Supreme Bench With Back Stand FS	2
2	622-113	6' SUPREME CHAMPION SEAT/BACK	1
3	622-C113	6' SUPREME BUDDY BENCH	1
4	630-013	6' FS BENCH BRACE	1
5	516-058	3/8"x1-1/2" SS Hex Bolt	8
6	516-023	3/8" SS Flat Washer	20
7	516-028	3/8" SS Nylock Nut	10



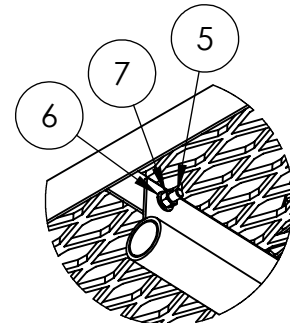
**PREMIER POLYSTEEL**

The Best Commercial Outdoor Furniture Available. Period.





DETAIL A  
SCALE 2 : 15



DETAIL B  
SCALE 2 : 15

1. Drill plastic out of the mounting holes on the stands, seat and back using a 7/16" diameter drill bit.
2. Attach seat and back to the stands with fixings provided. Do not tighten up.
3. Attach the brace to the stands and tighten up all bolts.

Tools List

- 7/16" Drill bit
- 9/16" Socket
- 9/16" Wrench
- Impact Gun (Optional)
- Drill

*Periodic check of bolts tightness recommended*

In Accordance to California law: WARNING This product contains a chemical known to the State of California to cause cancer and birth defects or other reproductive harm.



**PREMIER POLYSTEEL**

The Best Commercial Outdoor Furniture Available. Period.

