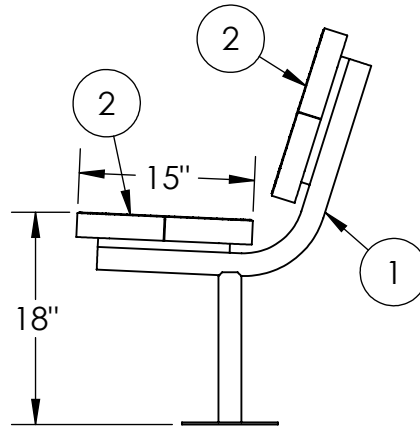
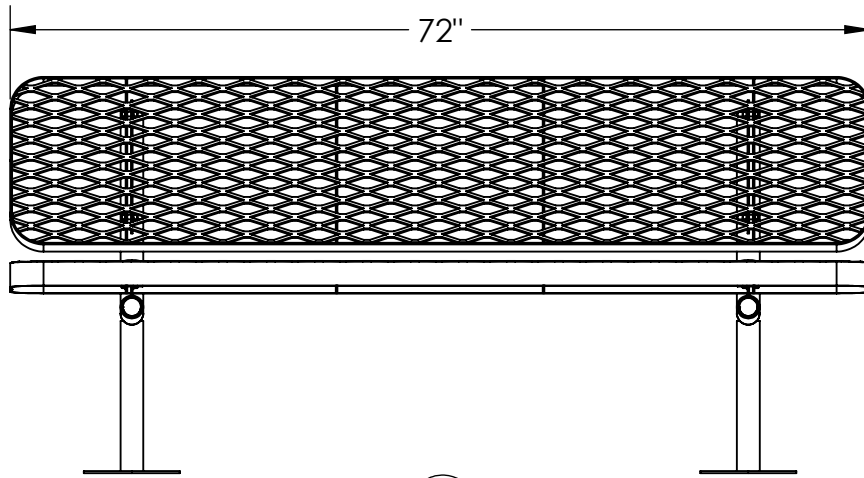
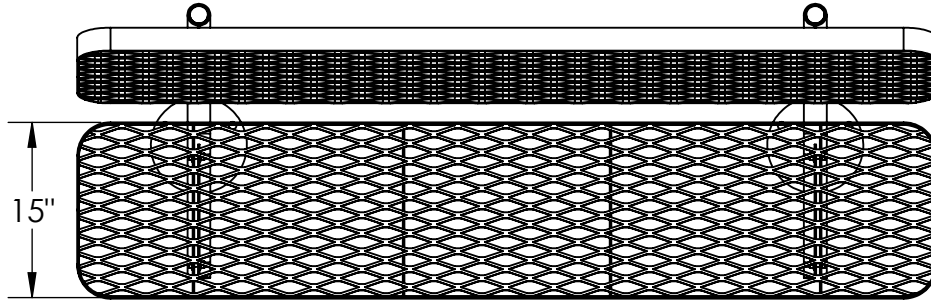




# CHAMPION SUPREME 6' WITH BACK, SURFACE MOUNT

936-307



ITEM NO.	PART NUMBER	DESCRIPTION	QTY.
1	633-112	Supreme Stand With Back SM	2
2	622-113	6' SUPREME CHAMPION SEAT/BACK	2
3	516-058	3/8"x1-1/2" SS Hex Bolt	8
4	516-023	3/8" SS Flat Washer	14
5	516-028	3/8" SS Nylock Nut	8



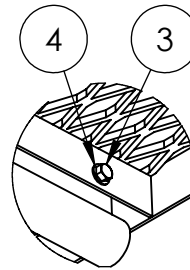
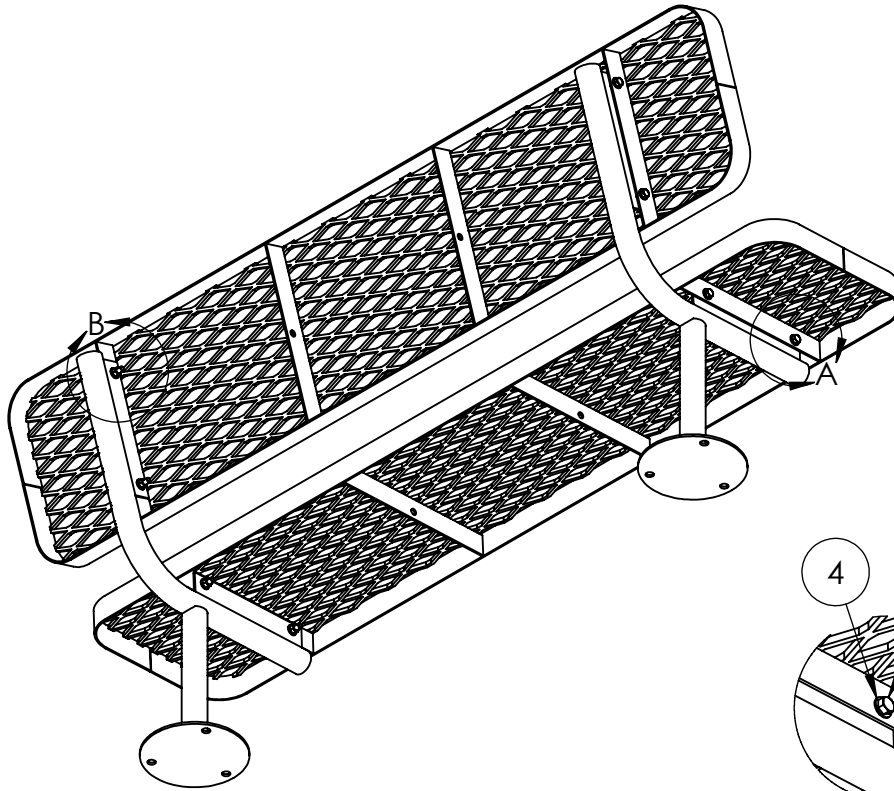
## PREMIER POLYSTEEL

The Best Commercial Outdoor Furniture Available. Period.

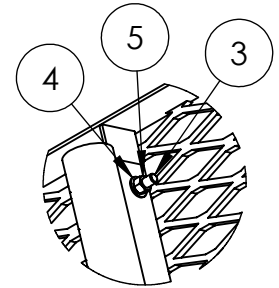


SIZE  
A

REV. X.01 | SHEET 1 OF 2



DETAIL A  
SCALE 1 : 7



DETAIL B  
SCALE 1 : 7

1. Drill plastic out of the mounting holes on the stands, seat and back using a 7/16" diameter drill bit.
2. Attach seat and back to the stands with fixings provided. Do not tighten up.
3. Attach the brace to the stands and tighten up all bolts.
4. Stand the bench in its final location and mark out base holes.
5. Move the bench to a safe place and drill holes.
6. Place the bench back, level and secure down using appropriate fixings for the ground material.

Tools List

- 7/16" Drill bit
- 9/16" Socket
- 9/16" Wrench
- Level
- Impact Gun (Optional)
- Drill

*Periodic check of bolts tightness recommended*

In Accordance to California law: WARNING This product contains a chemical know to the State of California to cause cancer and birth defects or other reproductive harm.



**PREMIER POLYSTEEL**

The Best Commercial Outdoor Furniture Available. Period.

