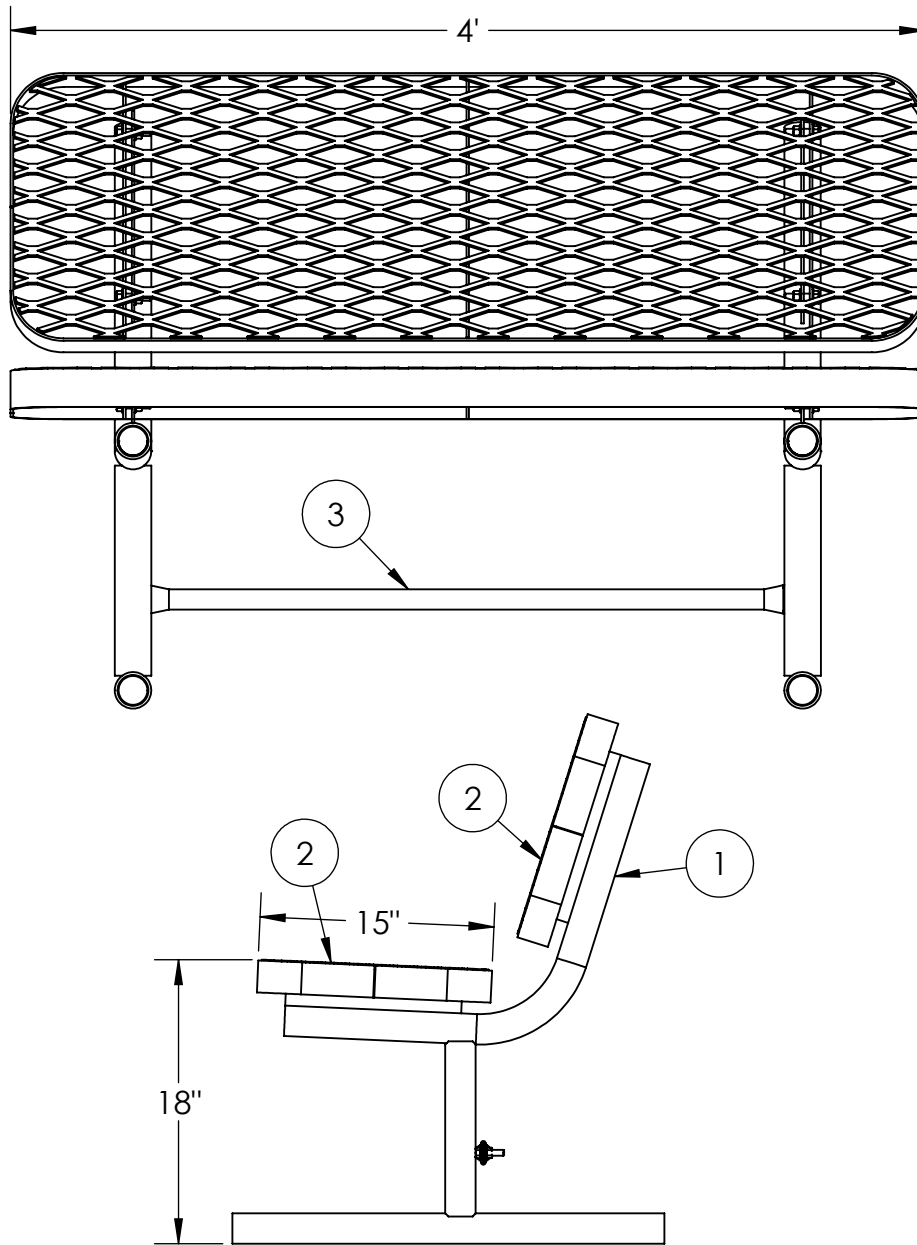




CHAMPION SUPREME 4' WITH BACK, FREESTANDING

936-101



ITEM NO.	PART NUMBER	DESCRIPTION	QTY.
1	630-110	Supreme Bench With Back Stand FS	2
2	622-111	4' Supreme Champion Seat	2
3	630-011	4' Bench with Back Brace	1
4	516-023	3/8" SS Flat Washer	20
5	516-028	3/8" SS Nylock Nut	10
6	516-058	3/8"x1-1/2" SS Hex Bolt	8

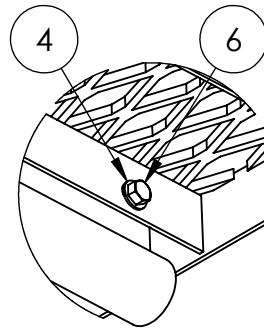
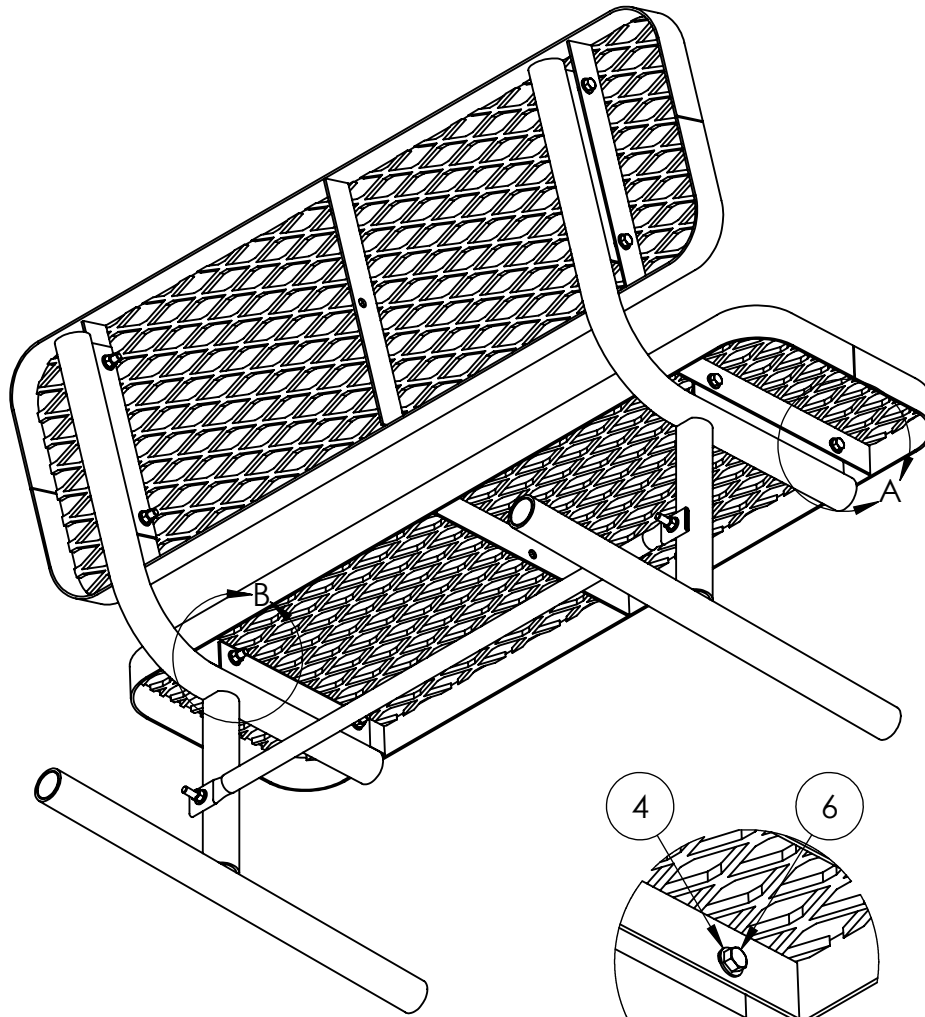


PREMIER POLYSTEEL

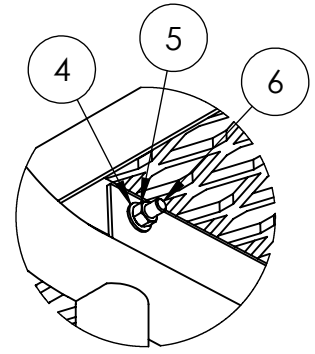
The Best Commercial Outdoor Furniture Available. Period.



SIZE
A



DETAIL A
SCALE 1 : 5



DETAIL B
SCALE 1 : 5

1. Drill plastic out of the mounting holes on the stands, seat and back using a 7/16" diameter drill bit.
2. Attach seat and back to the stands with fixings provided. Do not tighten up.
3. Attach the brace to the stands, set on level surface and tighten up all bolts.

Tools List

- 7/16" Drill bit
- 9/16" Socket
- 9/16" Wrench
- Impact Gun (Optional)
- Drill

Periodic check of bolts tightness recommended

In Accordance to California law: WARNING This product contains a chemical know to the State of California to cause cancer and birth defects or other reproductive harm.



PREMIER POLYSTEEL

The Best Commercial Outdoor Furniture Available. Period.

