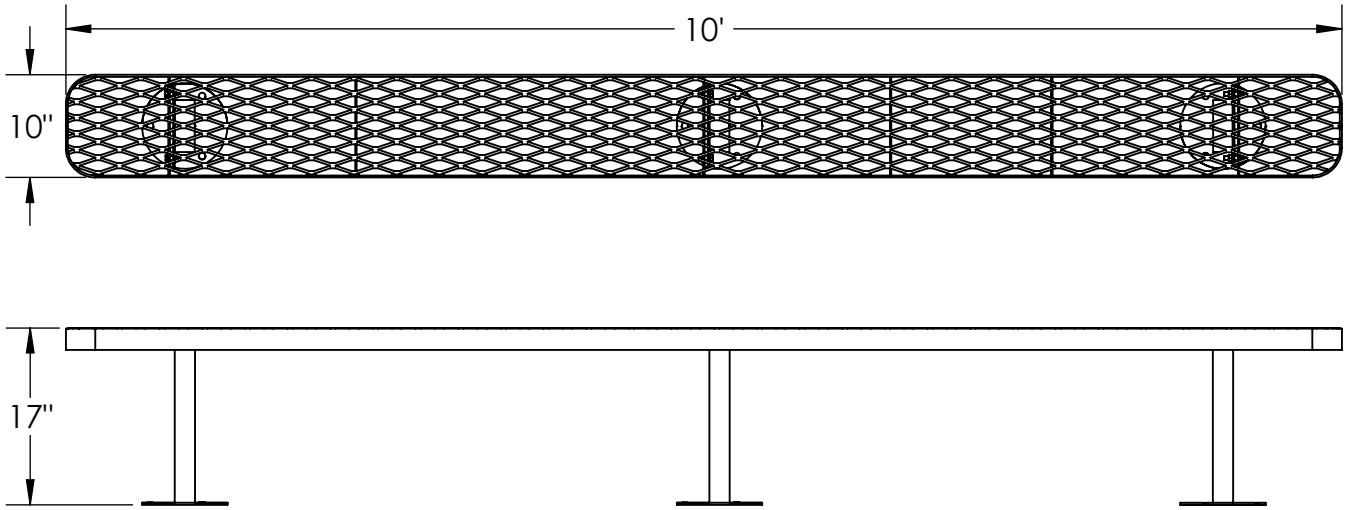
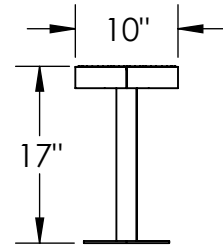


10' Champion Expanded Metal Surface Mount Bench without Back **935-607**



Tools List

- 7/16" Drill bit
- 9/16" Socket
- 9/16" Wrench
- 7/32" Allen Wrench
- Impact Gun (Optional)
- Drill



1. Drill plastic out the mounting holes on the stands and seat using 7/16" diameter drill bit.
2. Attach the stands to the seat using fixings provided.
3. Stand the bench in its final location and mark out base holes.
4. Move the bench to a safe place and drill holes.
5. Place the bench back, level and secure down using appropriate fixings for the ground material.

*Periodic check of bolts tightness recommended*

ITEM NO.	PART NUMBER	DESCRIPTION	QTY.
1	622-016	Champion 10' Seat/Back	1
2	633-011	Bench Stand Without Back	3
3	516-058	3/8"x1-1/2" SS Hex Bolt	6
4	516-023	3/8" SS Flat Washer	12
5	516-028	3/8" SS Nylock Nut	6

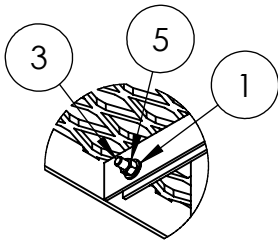
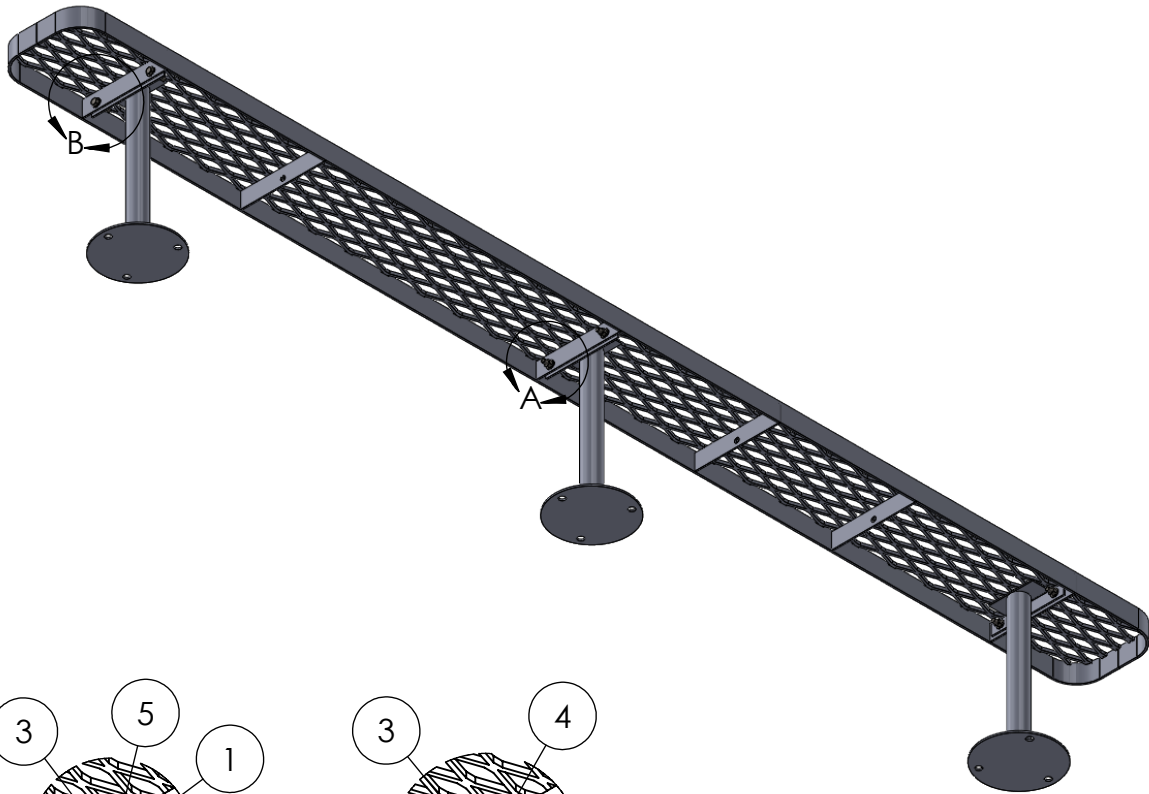


**PREMIER POLYSTEEL**

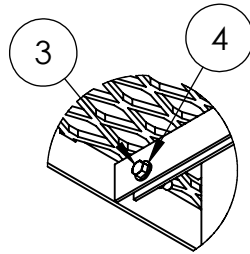
The Best Commercial Outdoor Furniture Available. Period.



10' Champion Expanded Metal Surface Mount Bench without Back 935-607



DETAIL A  
SCALE 2 : 15



DETAIL B  
SCALE 2 : 15

In accordance to California law: WARNING - This product contains a chemical known to the State of California to cause cancer and birth defects or other reproductive harm.



**PREMIER POLYSTEEL**

The Best Commercial Outdoor Furniture Available. Period.



SIZE  
**A**

REV. X.01 | SHEET 2 OF 2