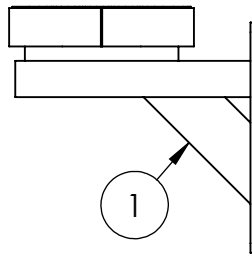
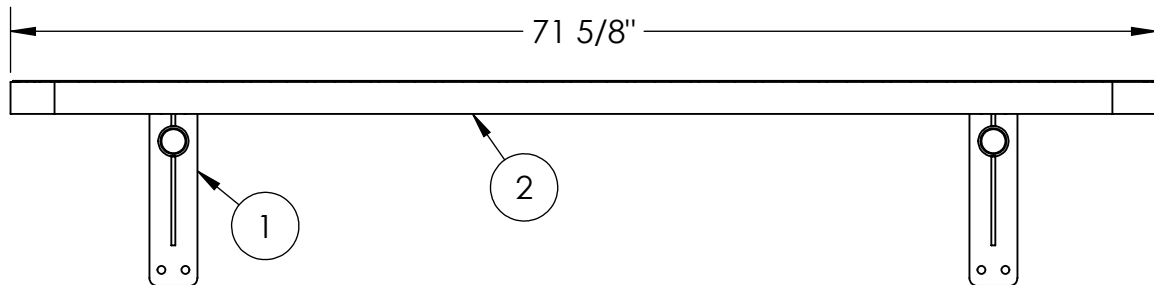
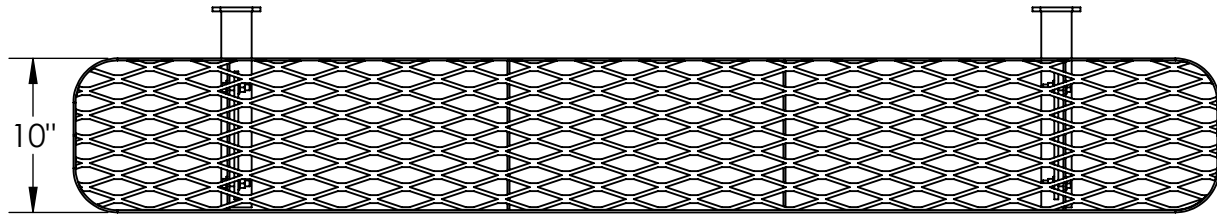




CHAMPION 6' WITHOUT BACK, WALL MOUNTED

935-304



ITEM NO.	PART NUMBER	DESCRIPTION	QTY.
1	634-001	Wall Mount Bench Without Back	2
2	622-013	Champion 6' Seat/Back	1
3	516-058	3/8"x1-1/2" SS Hex Bolt	4
4	516-023	3/8" SS Flat Washer	8
5	516-028	3/8" SS Nylock Nut	4



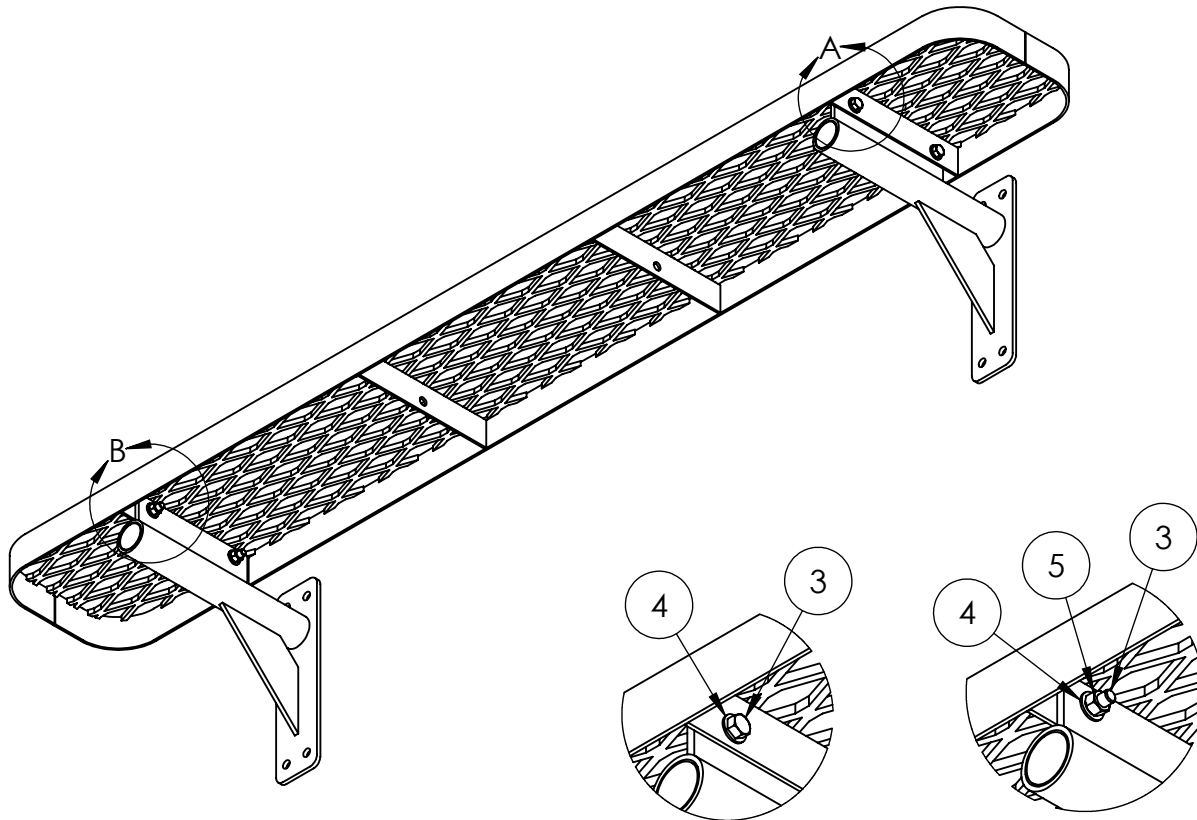
PREMIER POLYSTEEL

The Best Commercial Outdoor Furniture Available. Period.



SIZE
A

REV. X.01 SHEET 1 OF 2



DETAIL A
SCALE 1 : 5

DETAIL B
SCALE 1 : 5

1. Drill plastic out of the mounting holes on the brackets and seat using a 7/16" diameter drill bit.
2. Fix the brackets to the seat using the bolts provided and tighten up.
3. Hold the seat up against the wall in it's final location and mark out fixing holes.
4. Place the seat in a safe location and drill holes using appropriate drill bit.
5. Lift up seat and fix in place using the correct fixings for the wall material.

Tools List

- 7/16" Drill bit
- 9/16" Socket
- 9/16" Wrench
- Level
- Impact Gun (Optional)
- Drill

Periodic check of bolts tightness recommended

In Accordance to California law: WARNING This product contains a chemical known to the State of California to cause cancer and birth defects or other reproductive harm.



PREMIER POLYSTEEL

The Best Commercial Outdoor Furniture Available. Period.

