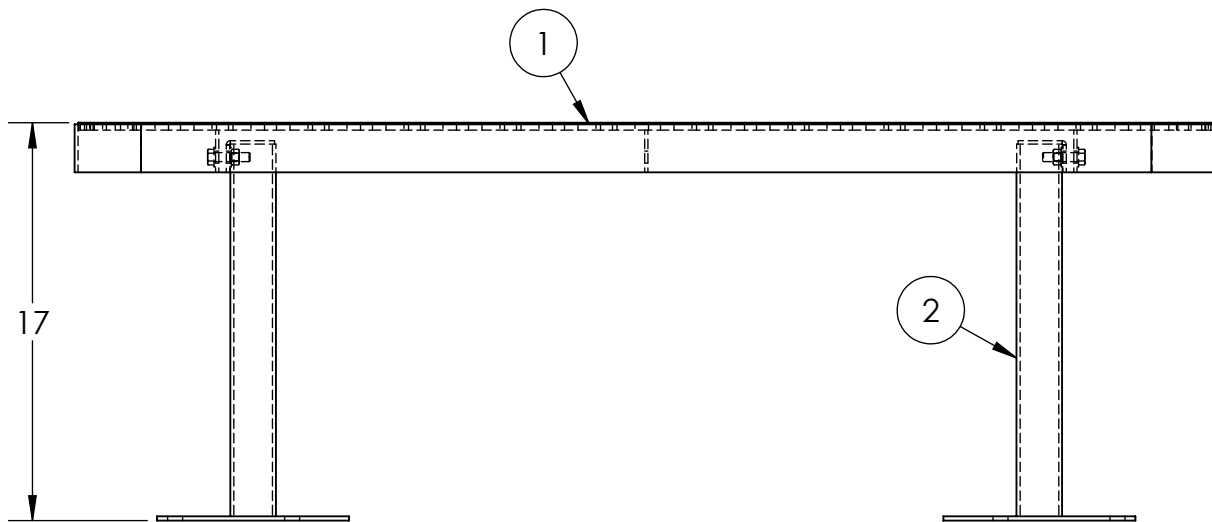
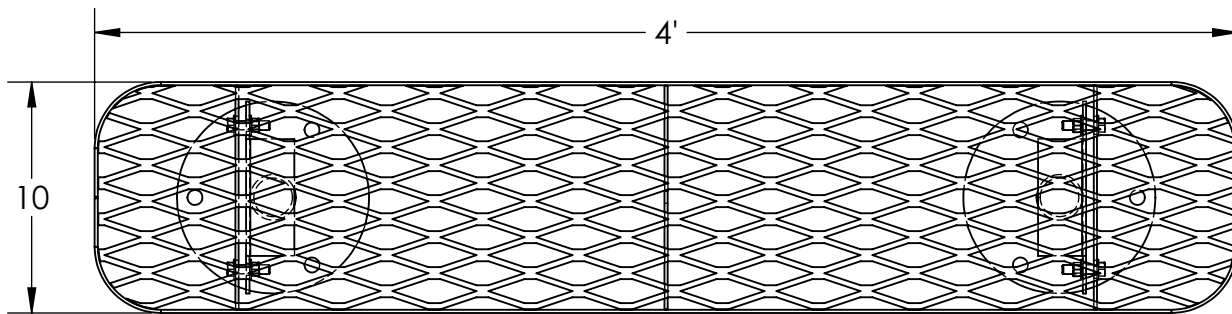




CHAMPION 4' WITHOUT BACK, SURFACE MOUNT

935-107



1. Drill plastic out the mounting holes on the stands and seat using 7/16" diameter drill bit
2. Attach the stands to the seat using fixings provided.
3. Stand the bench in its final location and mark out base holes.
4. Move the bench to a safe place and drill holes.
5. Place the bench back, level and secure down using appropriate fixings for the ground material.

| ITEM NO. | PART NUMBER | DESCRIPTION | QTY. |
|----------|-------------|--------------------------|------|
| 1 | 622-011 | Champion 4' Seat/Back | 1 |
| 2 | 633-011 | Bench Stand Without Back | 2 |
| 3 | 516-058 | 3/8"x1-1/2" SS Hex Bolt | 4 |
| 4 | 516-023 | 3/8" SS Flat Washer | 8 |
| 5 | 516-028 | 3/8" SS Nylock Nut | 4 |

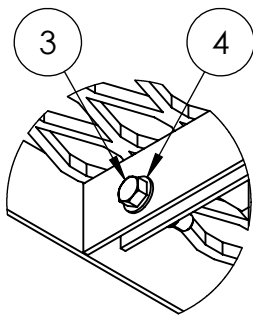
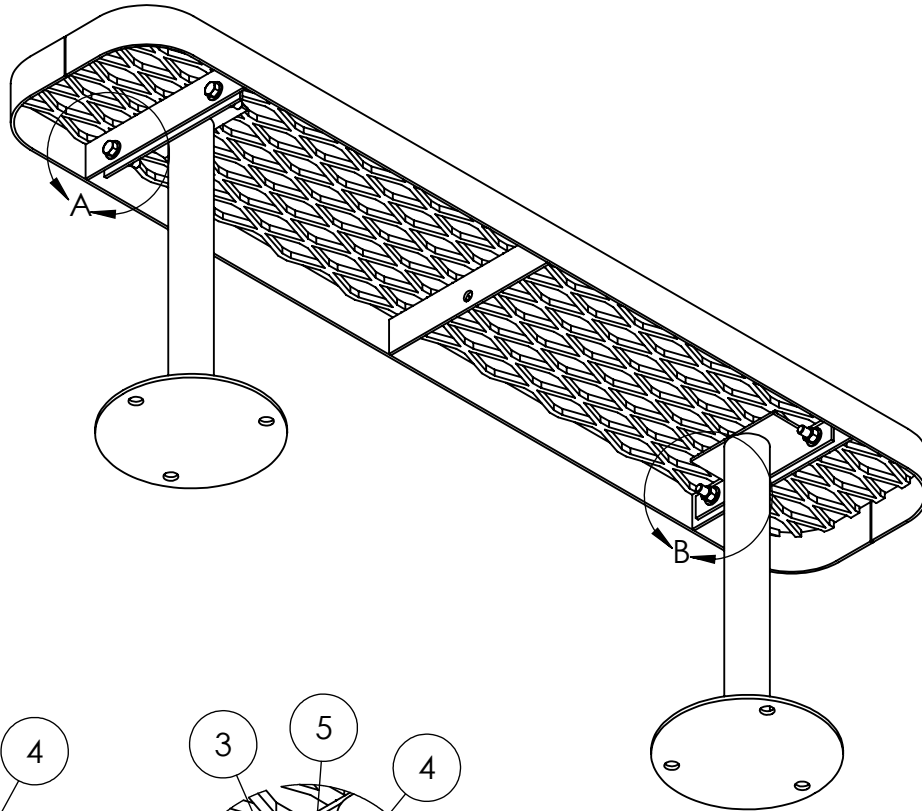


PREMIER POLYSTEEL

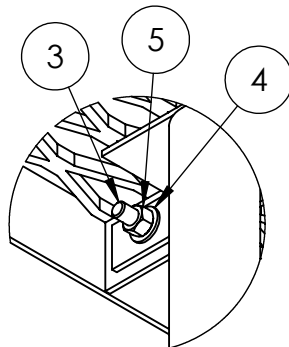
The Best Commercial Outdoor Furniture Available. Period.



SIZE
A



DETAIL A
SCALE 1 : 4



DETAIL B
SCALE 1 : 4

Tools List

- 7/16" Drill bit
- 9/16" Socket
- 9/16" Wrench
- Impact Gun (Optional)
- Drill
- Level

Periodic check of bolts tightness recommended

In Accordance to California law: WARNING This product contains a chemical known to the State of California to cause cancer and birth defects or other reproductive harm.



PREMIER POLYSTEEL

The Best Commercial Outdoor Furniture Available. Period.

