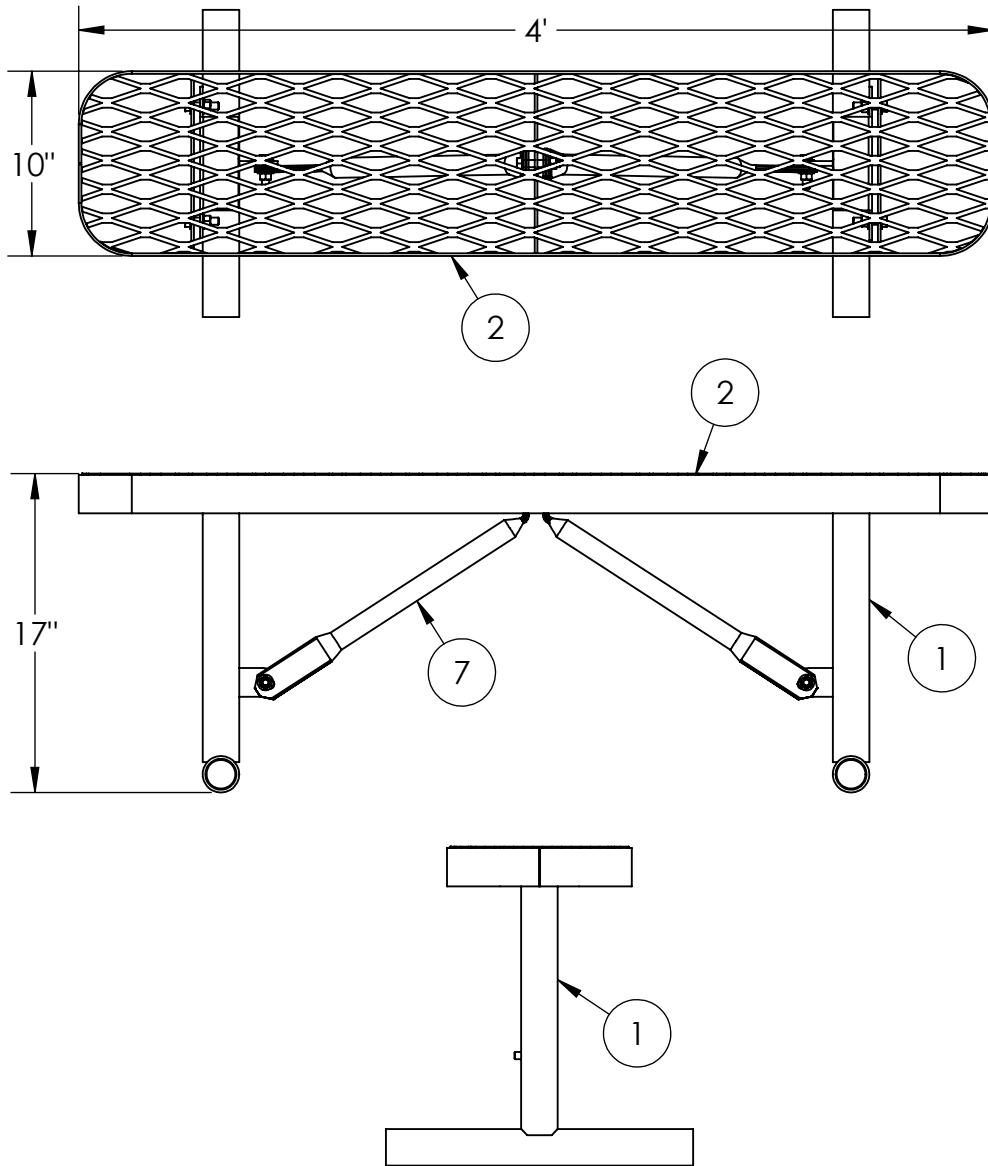




CHAMPION 4' WITHOUT BACK, FREE STANDING

935-101



ITEM NO.	PART NUMBER	DESCRIPTION	QTY.
1	631-010	Bench Stand FS	2
2	622-011	Champion 4' Seat/Back	1
3	516-058	3/8"x1-1/2" SS Hex Bolt	6
4	516-054	3/8"x2" SS Hex Head Bolt	1
5	516-023	3/8" SS Flat Washer	14
6	516-028	3/8" SS Nylock Nut	7
7	631-313	BRACE	2

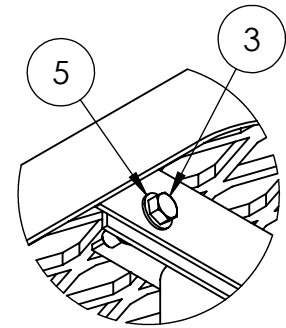
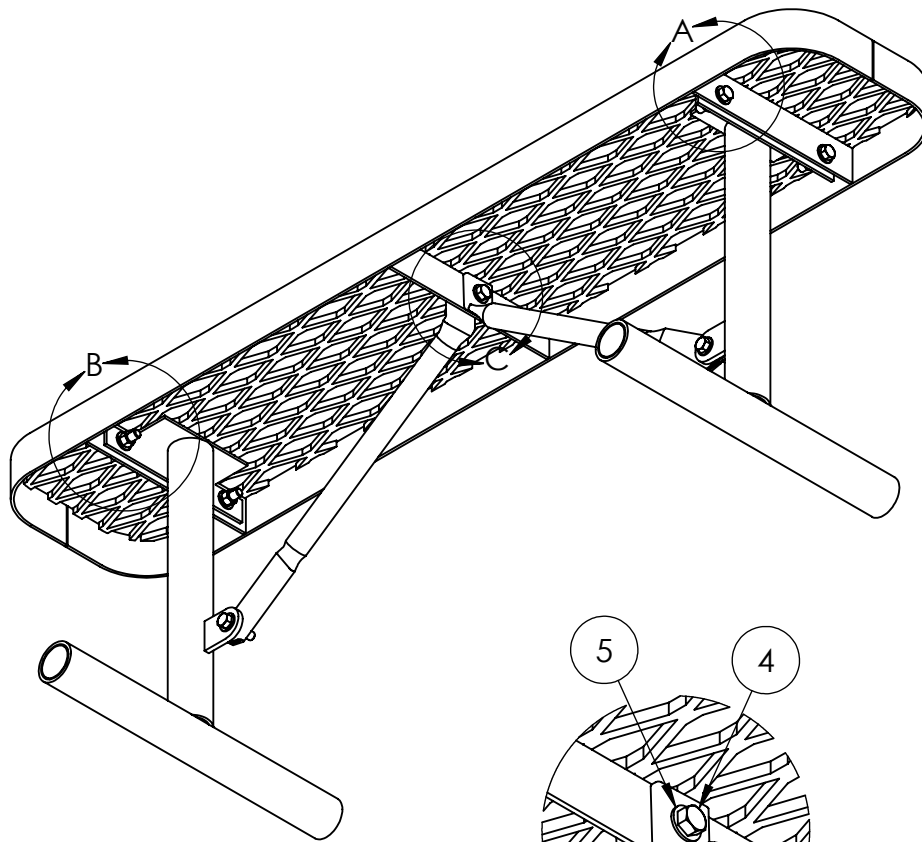


PREMIER POLYSTEEL

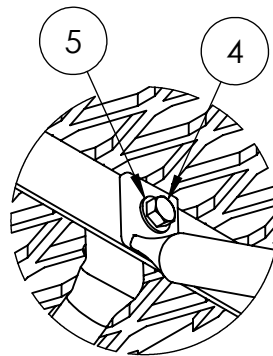
The Best Commercial Outdoor Furniture Available. Period.



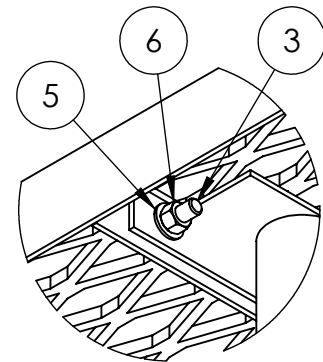
SIZE
A



DETAIL A
SCALE 1 : 4



DETAIL C
SCALE 1 : 4



DETAIL B
SCALE 1 : 4

1. Drill plastic out of the mounting holes on the seat, stands and braces using a 7/16" diameter drill bit.
2. Bolt the seat to the stand and braces loosely using fixings provided. Set on level surface and tighten up.

Tools List

- 7/16" Drill bit
- 9/16" Socket
- 9/16" Wrench
- Impact Gun (Optional)
- Drill

Periodic check of bolts tightness recommended

In Accordance to California law: WARNING This product contains a chemical known to the State of California to cause cancer and birth defects or other reproductive harm.



PREMIER POLYSTEEL

The Best Commercial Outdoor Furniture Available. Period.

