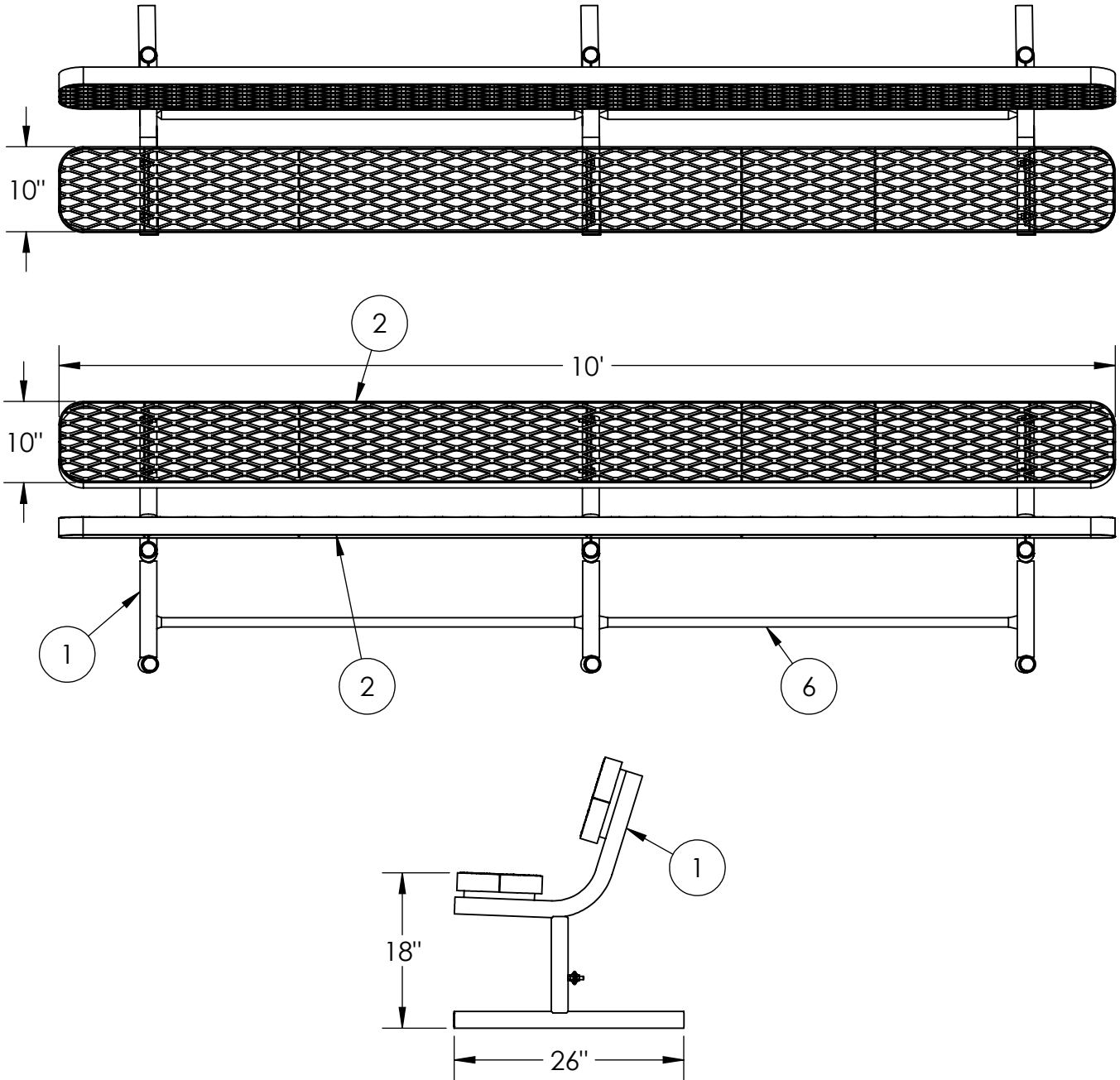




934-601



ITEM NO.	PART NUMBER	DESCRIPTION	QTY.
1	630-010	Bench With Back stand FS	3
2	622-016	Champion 10' Seat/Back	2
3	516-058	3/8"x1-1/2" SS Hex Bolt	12
4	516-023	3/8" SS Flat Washer	27
5	516-028	3/8" SS Nylock Nut	15
6	630-016	10' BENCH WITH BACK BRACE	1



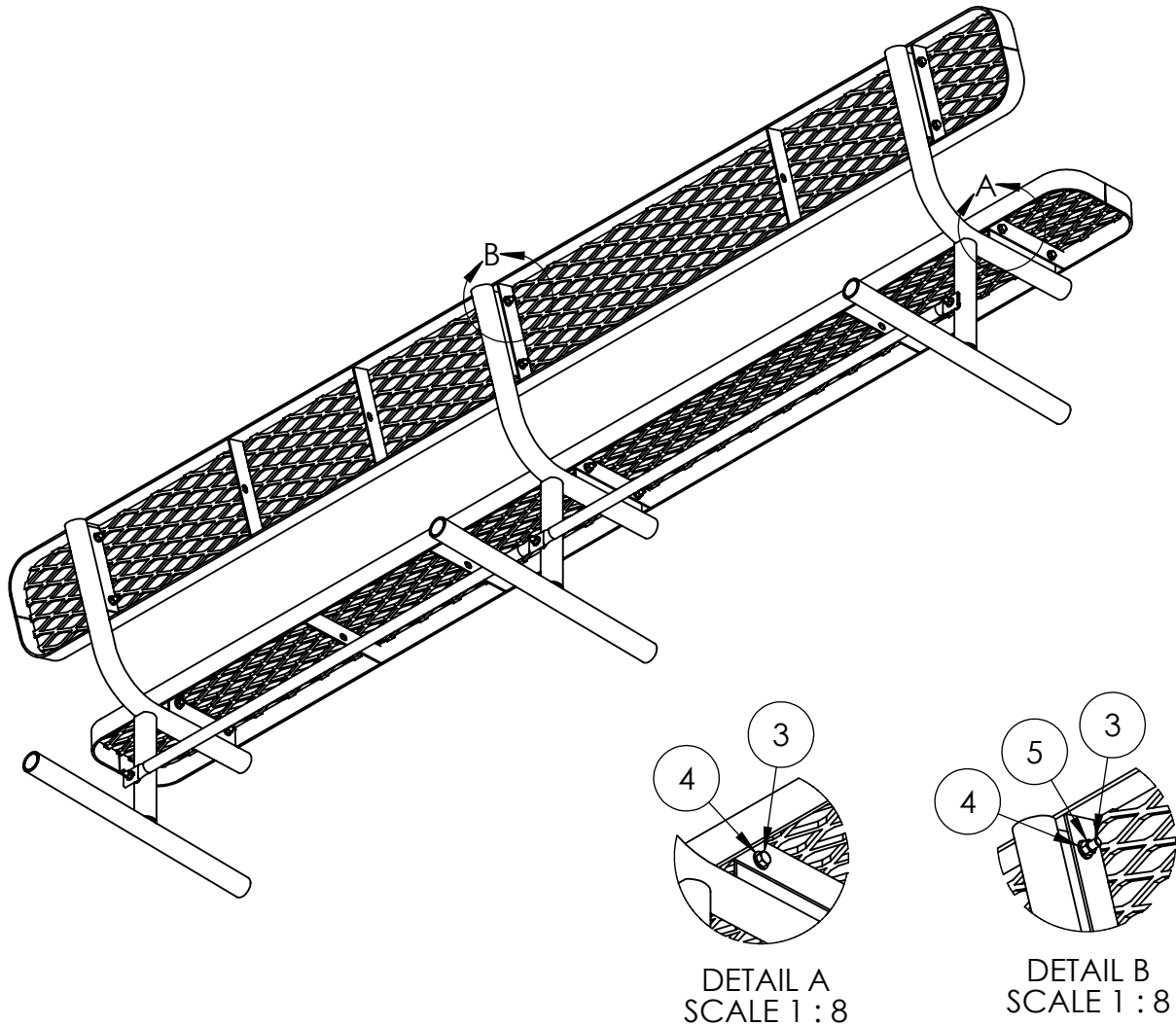
**PREMIER POLYSTEEL**

The Best Commercial Outdoor Furniture Available. Period.



SIZE  
A

REV. X.01 | SHEET 1 OF 2



1. Drill plastic out of the mounting holes on the seat, back and stands using a 7/16" diameter drill bit.
2. Bolt the seat to the stand and braces loosely using fixings provided. Set on level surface and tighten up.

#### Tools List

- 7/16" Drill bit
- 9/16" Socket
- 9/16" Wrench
- Impact Gun (Optional)
- Drill

*Periodic check of bolts tightness recommended*

In accordance to California law: WARNING - This product contains a chemical known to the State of California to cause cancer and birth defects or other reproductive harm.



**PREMIER POLYSTEEL**

The Best Commercial Outdoor Furniture Available. Period.

