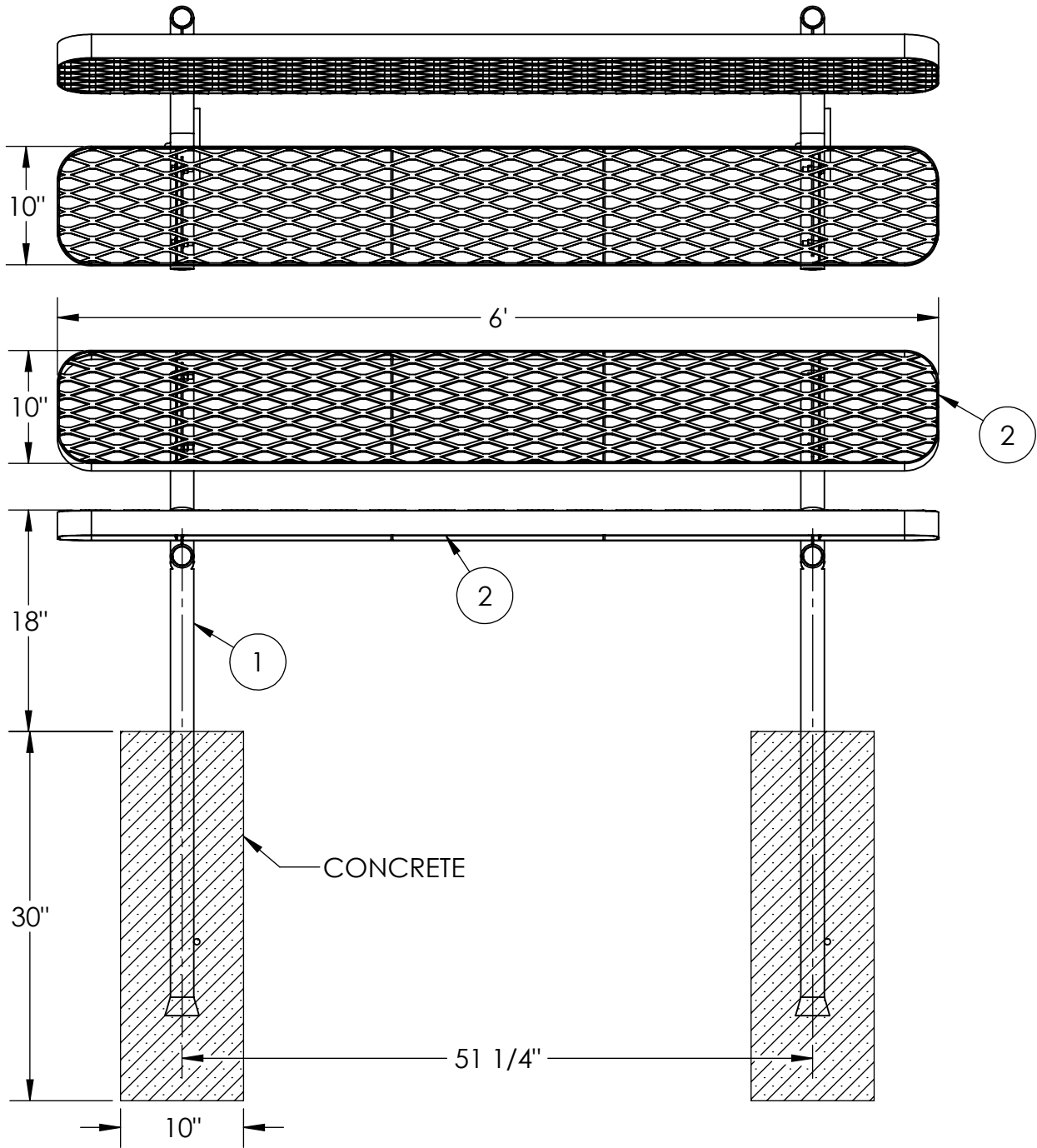




CHAMPION 6' WITH BACK, DIRECT BURY

934-302



ITEM NO.	PART NUMBER	DESCRIPTION	QTY.
1	630-020	Bench With Back Stand DB	2
2	622-013	Champion 6' Seat/Back	2
3	516-058	3/8"x1-1/2" SS Hex Bolt	8
4	516-023	3/8" SS Flat Washer	16
5	516-028	3/8" SS Nylock Nut	8



PREMIER POLYSTEEL

The Best Commercial Outdoor Furniture Available. Period.



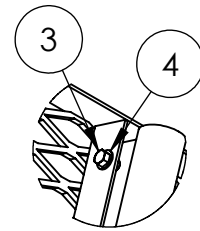
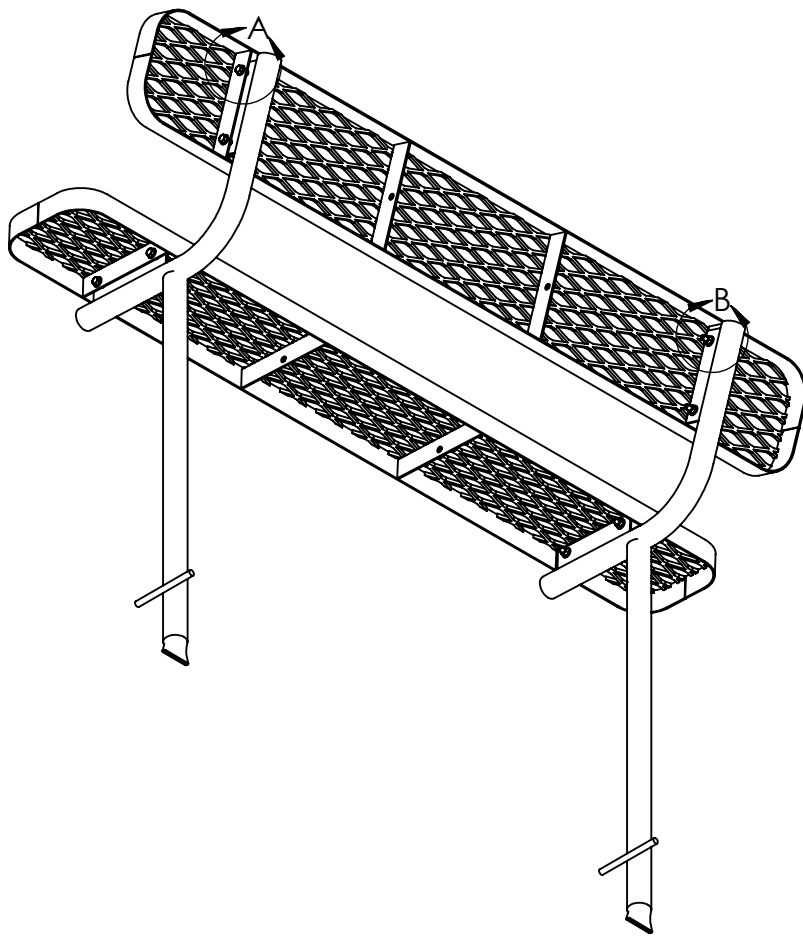
SIZE
A

REV. X.01 SHEET 1 OF 2

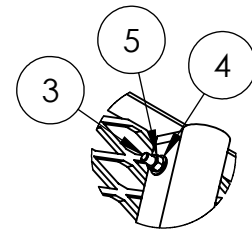


CHAMPION 6' WITH BACK, DIRECT BURY

934-302



DETAIL A
SCALE 2 : 15



DETAIL B
SCALE 2 : 15

1. Drill plastic out of the mounting holes on the legs, seat and back using a 7/16" diameter drill bit.
2. Bolt the seat and back to the legs and tighten up.
3. Mark out the holes for the legs on the ground in the desired location. Drill 10" diameter holes at each location to a minimum depth of 30". You need to be below the frost line in your area.
4. Place the seat into the holes and support at the desired height. Level the seat.
5. Fill the holes with concrete and crown the top so that water will run off. Let stand for 24 hours before removing the supports.

Tools List

- 7/16" Drill bit
- 9/16" Socket
- 9/16" Wrench
- Level
- Impact Gun (Optional)
- Drill

Periodic check of bolts tightness recommended

In Accordance to California law: WARNING This product contains a chemical known to the State of California to cause cancer and birth defects or other reproductive harm.



PREMIER POLYSTEEL

The Best Commercial Outdoor Furniture Available. Period.

