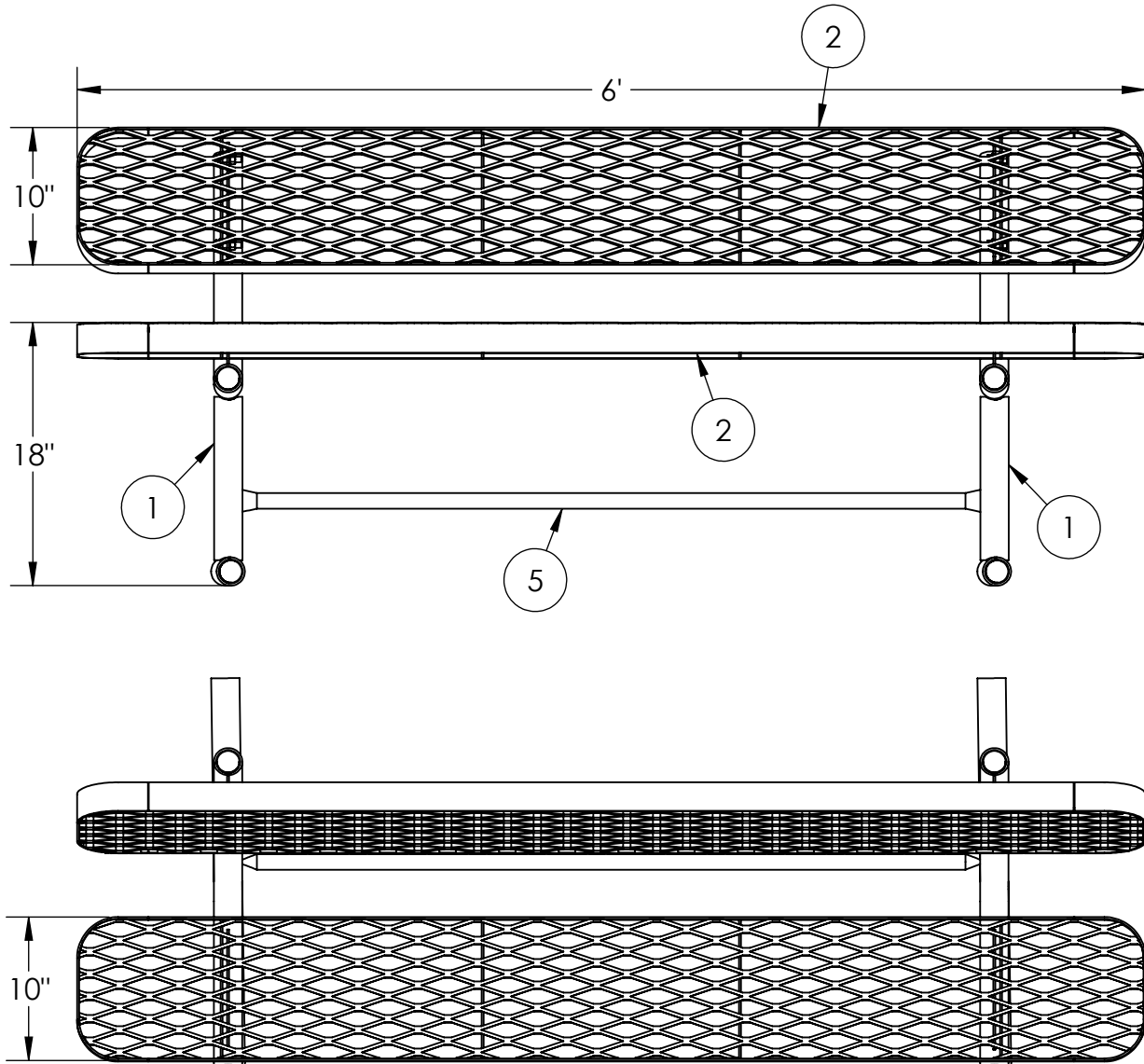




6' Champion with Back Free Standing

934-301



ITEM NO.	PART NUMBER	DESCRIPTION	QTY.
1	630-010	Bench With Back stand FS	2
2	622-013	6' Champion Seat/Back (QS)	2
3	516-058	3/8"x1-1/2" SS Hex Bolt	4
4	516-023	3/8" SS Flat Washer	12
5	630-013	6' FS BENCH BRACE	1
6	516-028	3/8" SS Nylock Nut	6

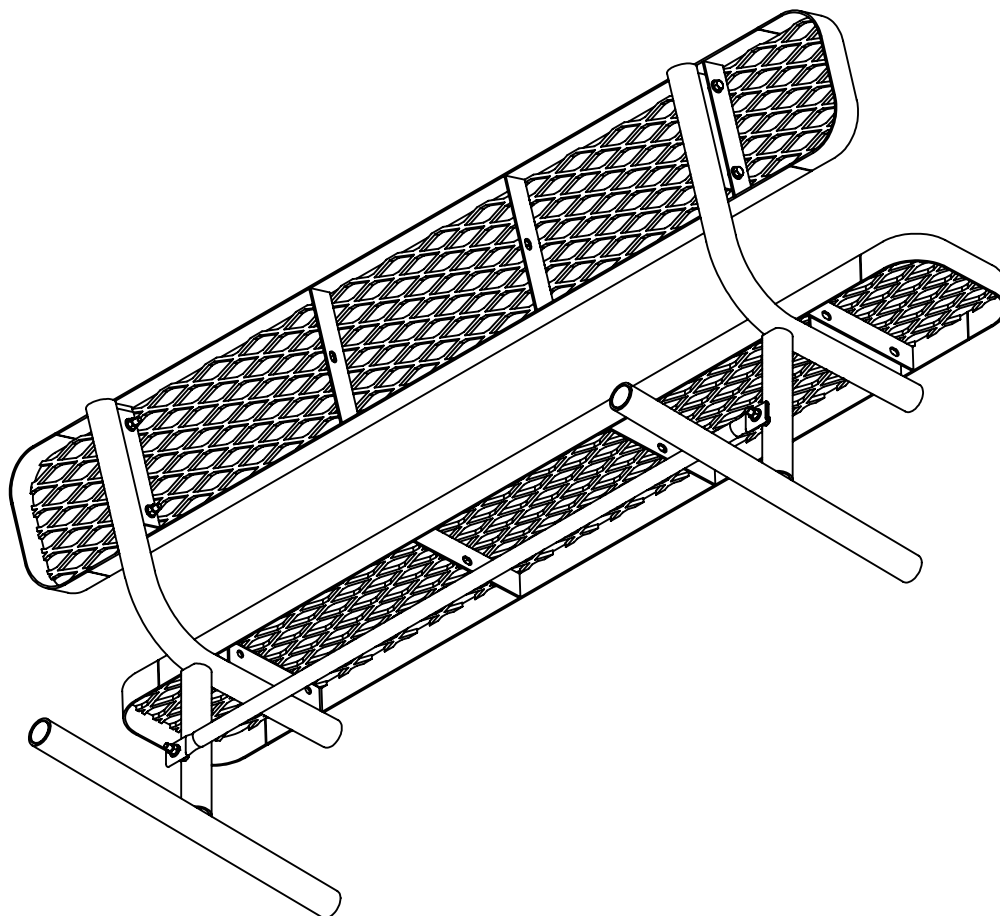


PREMIER POLYSTEEL

The Best Commercial Outdoor Furniture Available. Period.



SIZE
A



1. Drill plastic out of the mounting holes on the seat, stands and braces using a 7/16" diameter drill bit.
2. Bolt the seat/back to the stands and brace loosely using fixings provided.
3. Set on level surface and tighten up.

Tools List

- 7/16" Drill bit
- 9/16" Socket
- 9/16" Wrench
- Level
- Impact Gun (Optional)
- Drill

Periodic check of bolts tightness recommended

In accordance to California law: WARNING - This product contains a chemical known to the State of California to cause cancer and birth defects or other reproductive harm.



PREMIER POLYSTEEL

The Best Commercial Outdoor Furniture Available. Period.

