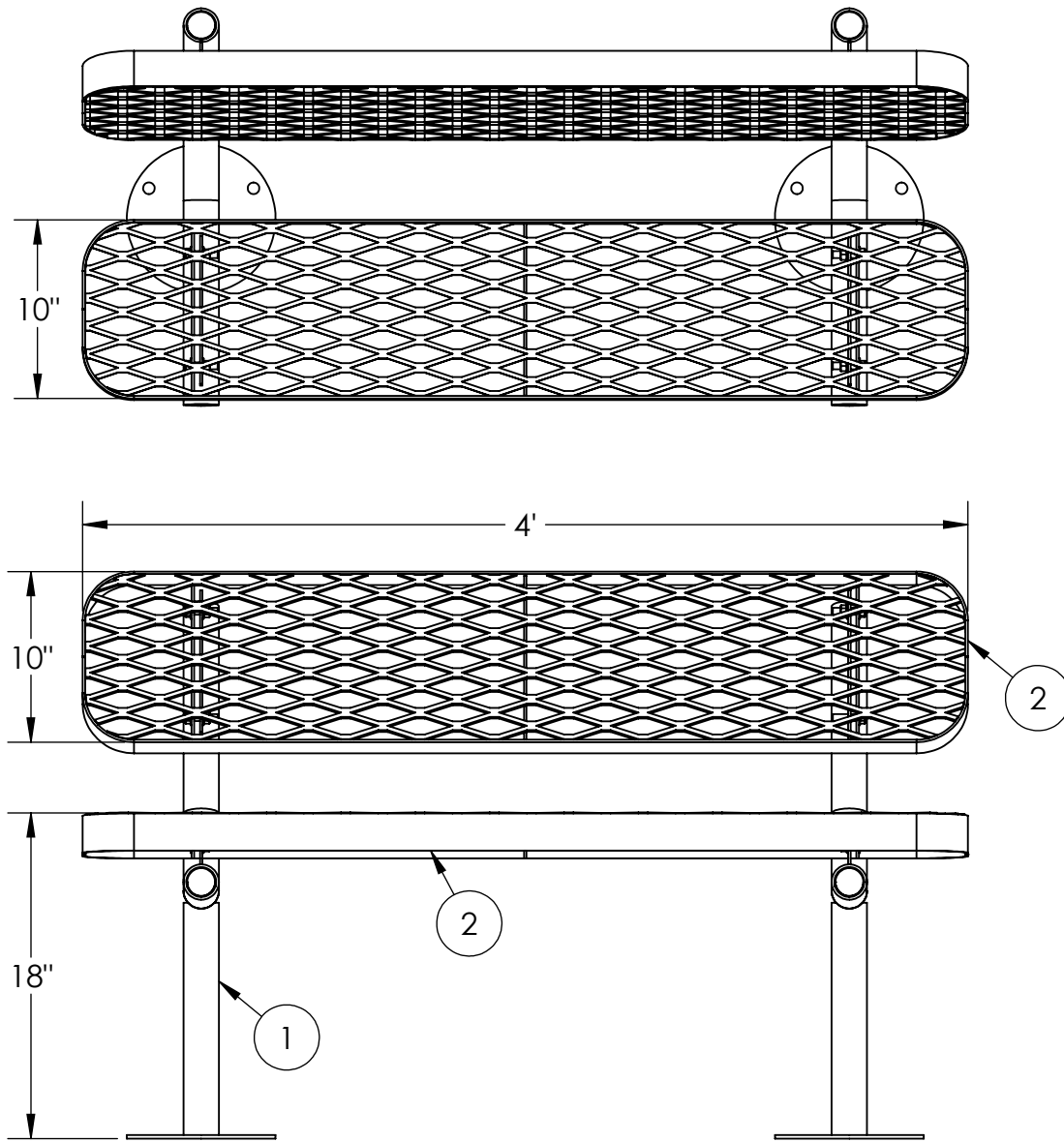




CHAMPION 4' WITH BACK, SURFACE MOUNT

934-107



ITEM NO.	PART NUMBER	DESCRIPTION	QTY.
1	633-012	Bench Stand With Back SM	2
2	622-011	Champion 4' Seat/Back	2
3	516-058	3/8"x1-1/2" SS Hex Bolt	8
4	516-023	3/8" SS Flat Washer	15
5	516-028	3/8" SS Nylock Nut	7

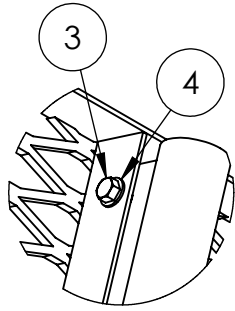


PREMIER POLYSTEEL

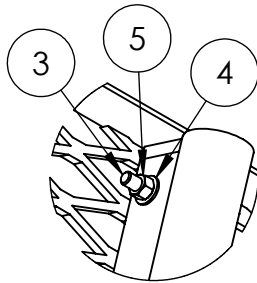
The Best Commercial Outdoor Furniture Available. Period.



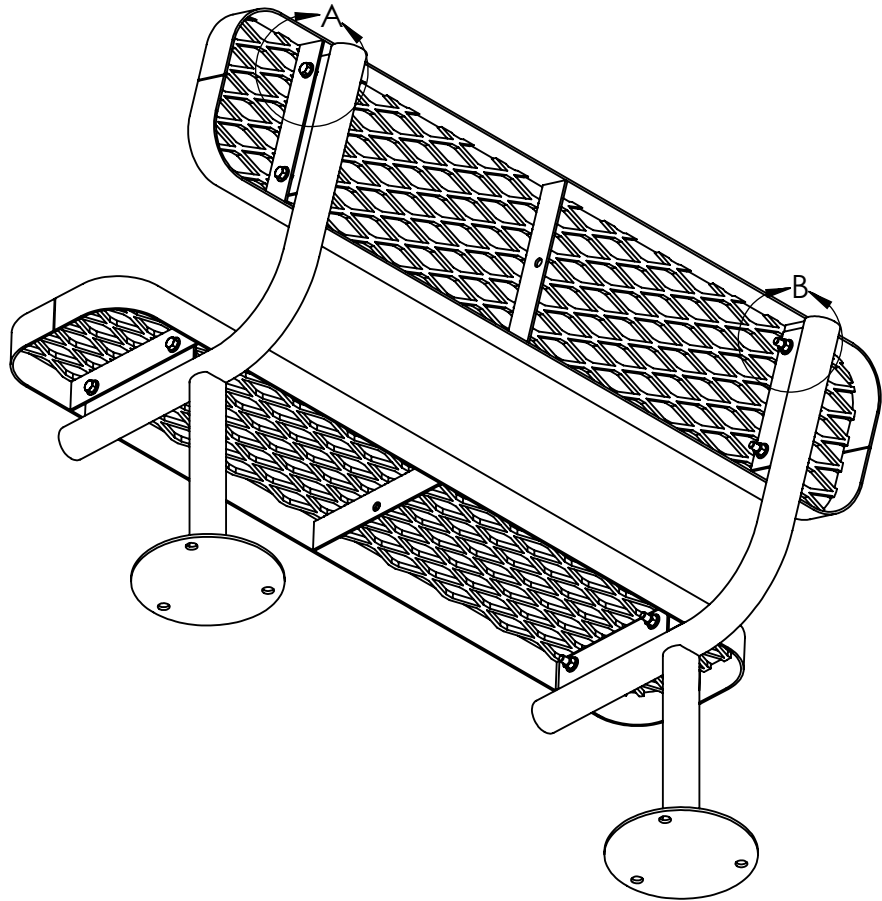
SIZE
A



DETAIL A
SCALE 1 : 5



DETAIL B
SCALE 1 : 5



1. Drill plastic out the mounting holes on the stands and seat using 7/16" diameter drill bit.
2. Attach the stands to the seat using fixings provided.
3. Stand the bench in its final location and mark out base holes.
4. Move the bench to a safe place and drill holes.
5. Place the bench back, level and secure down using appropriate fixings for the ground material.

Tools List

- 7/16" Drill bit
- 9/16" Socket
- 9/16" Wrench
- Level
- Impact Gun (Optional)
- Drill

Periodic check of bolts tightness recommended

In Accordance to California law: WARNING This product contains a chemical known to the State of California to cause cancer and birth defects or other reproductive harm.



PREMIER POLYSTEEL

The Best Commercial Outdoor Furniture Available. Period.

