

Tools List

- 7/16" Drill bit
- 9/16" Socket
- 9/16" Wrench
- Level
- Impact Gun (Optional)
- Drill

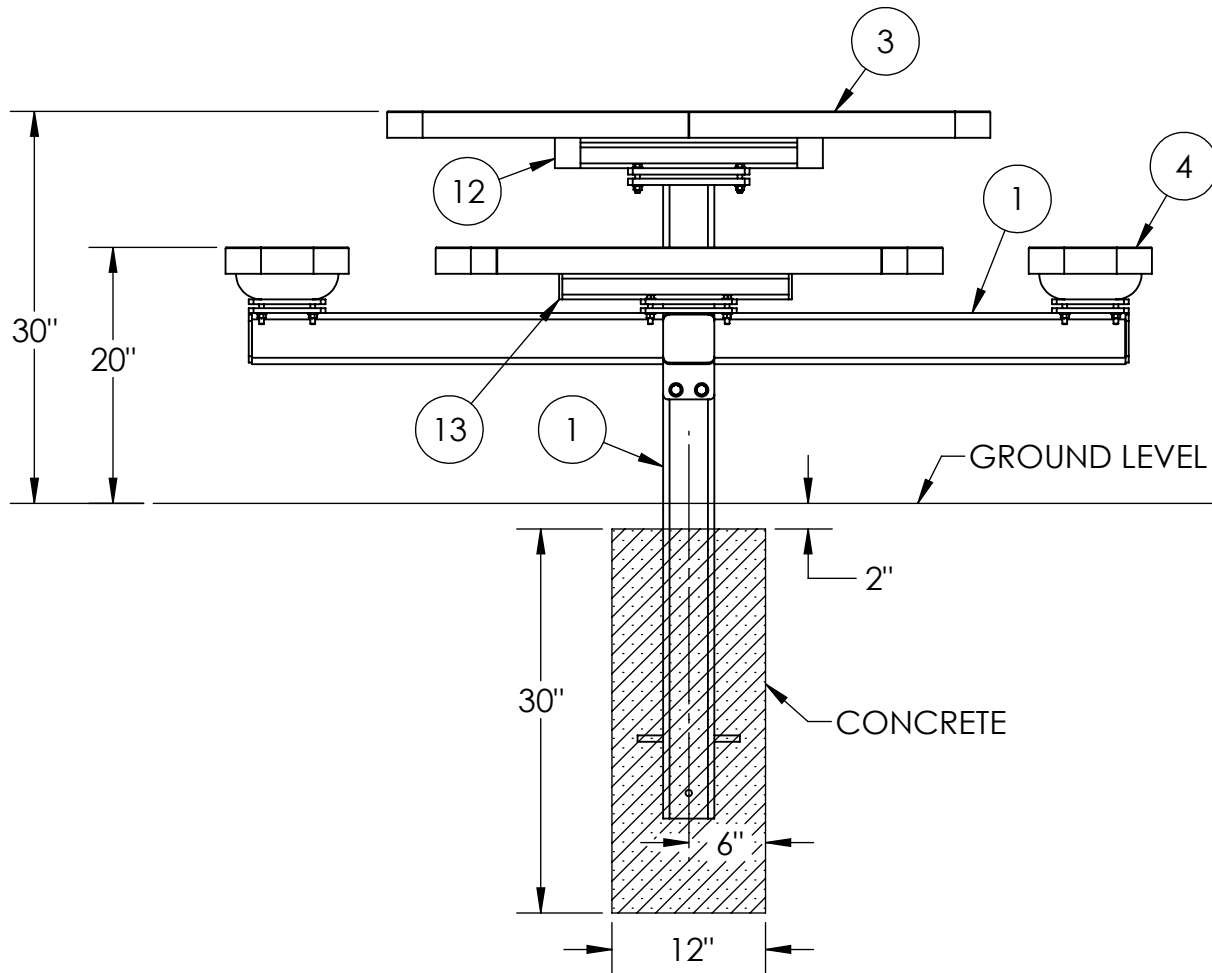
ITEM NO.	PART NUMBER	DESCRIPTION	QTY.
1	632-101	4" Pedestal DB	1
2	632-103	Seat Arm (1 Ped)	1
3	642-1P5	4x5 Accessible table Top	1
4	622-039	Champion 40" Seat Perforated	3
5	516-071	1/2" x 6" SS Hex Bolt NC	4
6	516-054	3/8"x2" SS Hex Head Bolt	16
7	516-058	3/8"x1-1/2" SS Hex Bolt	16
8	516-027	1/2" SS Flat Washer	8
9	516-023	3/8" SS Flat Washer	64
10	516-034	1/2" SS Hex Nut	4
11	516-028	3/8" SS Nylock Nut	32
12	632-102	Table Top Support	1
13	632-104	Seat support	3



PREMIER POLYSTEEL

The Best Commercial Outdoor Furniture Available. Period.





1. Bore a 12-14" diameter hole into the ground. The hole should be at least 32" deep or below the frost line in your area, which ever is greater.
2. Place 4-6" of pea rock in hole.
3. Place center pedestal post into the hole.
4. Drill out all holes with a 7/16" drill bit. Use a 9/16" drill bit for seat arm end plate holes and center pedestal post holes at their union.
5. Bolt the support arms on to the center pedestal post using 1/2"x6" stainless steel hex bolts.
6. Bolt seat supports on to the seat arms using 3/8"x2" stainless steel hex bolts.
7. Bolt table top support on to the center pedestal post using 3/8"x2" stainless steel hex bolts.
8. Bolt the table top on to the table top support using 3/8"x1-1/2" stainless steel hex bolts.
9. Bolt the seats on to the seat supports using 3/8"x1-1/2" stainless steel hex bolts.
10. Level table and adjust to desired height. Recommended height is 20" from the ground to the top of the seats.
11. Fill hole with concrete no higher than ground level.

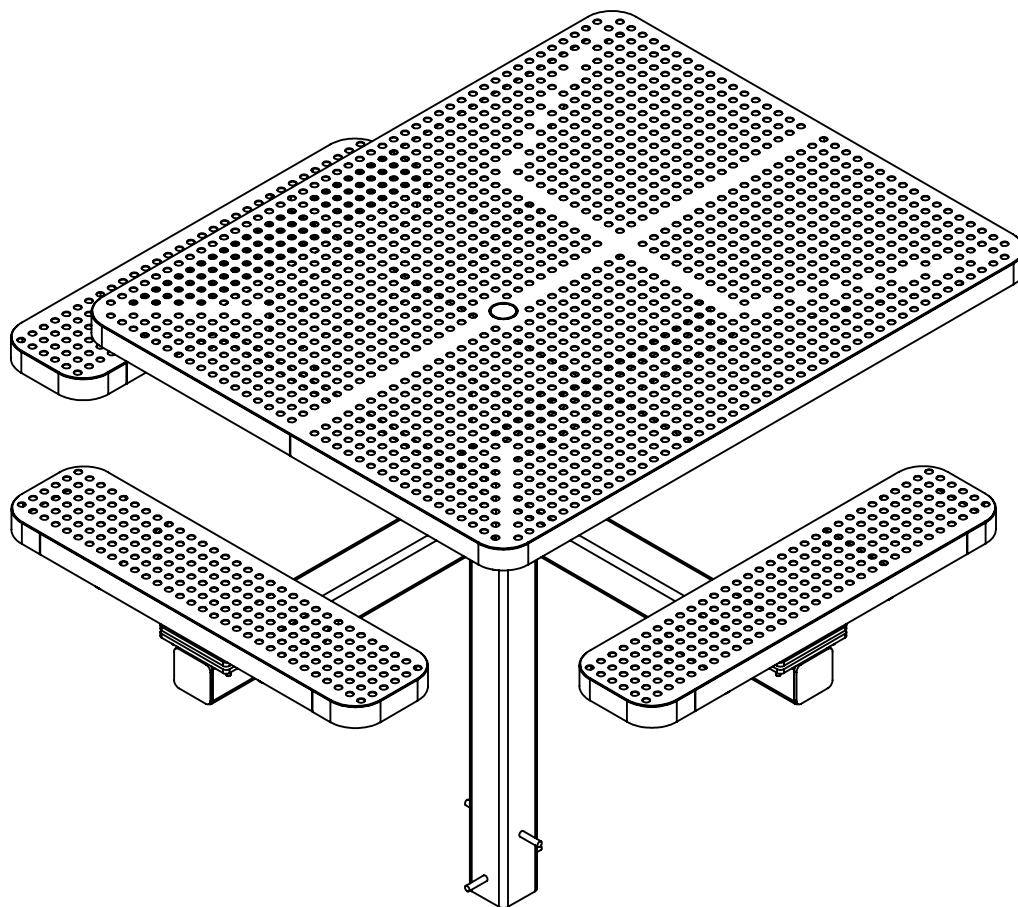
Periodic check of bolts tightness reccommended



PREMIER POLYSTEEL

The Best Commercial Outdoor Furniture Available. Period.





In accordance to California law: WARNING - This product contains a chemical known to the State of California to cause cancer and birth defects or other reproductive harm.



PREMIER POLYSTEEL

The Best Commercial Outdoor Furniture Available. Period.

