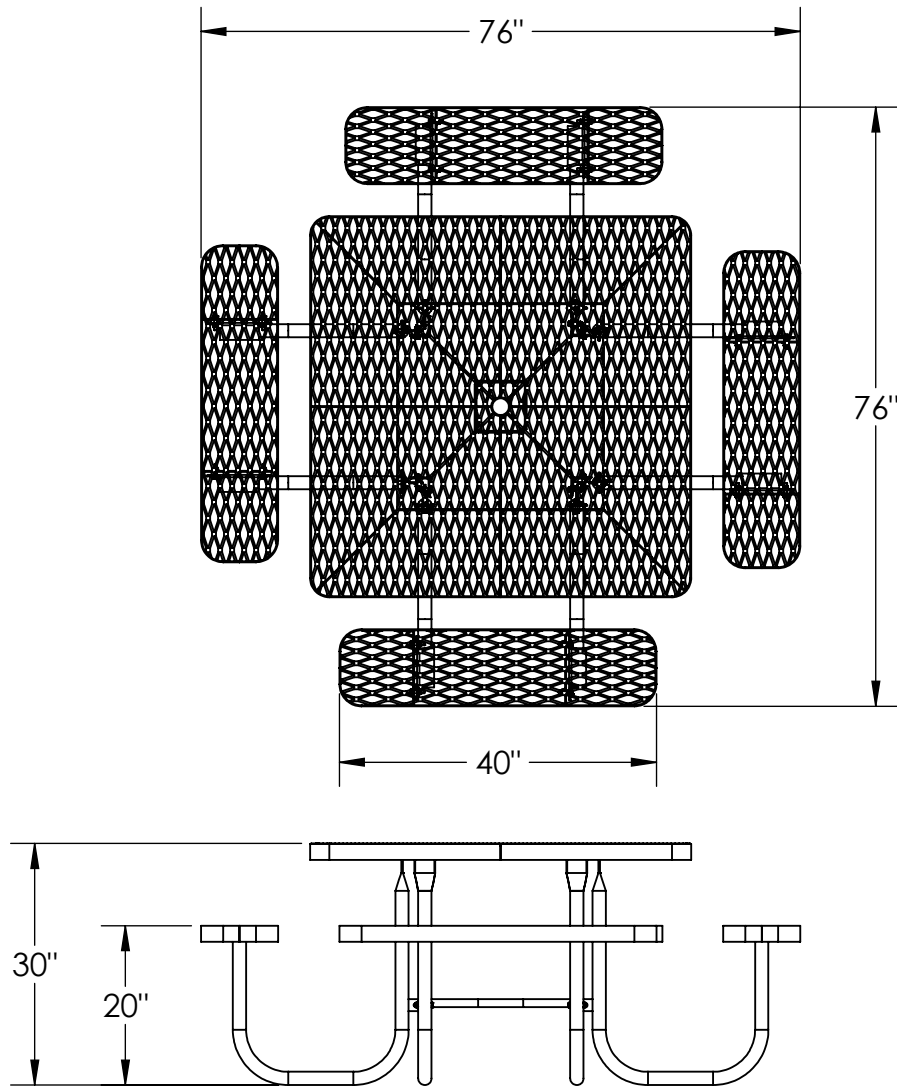




# Champion Sq Picnic Table

926-101



1. With table top upside down bolt 2 opposing legs on to top. Do not tighten the bolts now.
2. Attach "x" shaped leg brace to the 2 legs.
3. Attach the other 6 legs fastening to the "x" shaped leg brace as you go.
4. Attach seats to other end of leg. The vertical portion of the angle iron leg top bolts flush with the seat support bar.
5. Flip the table right side up, level the top and seats, and tighten all of the bolts.

ITEM NO.	PART NUMBER	DESCRIPTION	QTY.
1	642-111	Champion Square Table Top	1
2	634-111	Sq./Rnd Table Free Standing Leg	8
3	634-119	Sq./Rnd Table Leg Support Bracket	1
4	622-019	40" Champion Seat	4
5	516-058	3/8"x1-1/2" SS Hex Bolt	32
6	516-023	3/8" SS Flat Washer	64
7	516-028	3/8" SS Nylock Nut	32



## PREMIER POLYSTEEL

The Best Commercial Outdoor Furniture Available. Period.

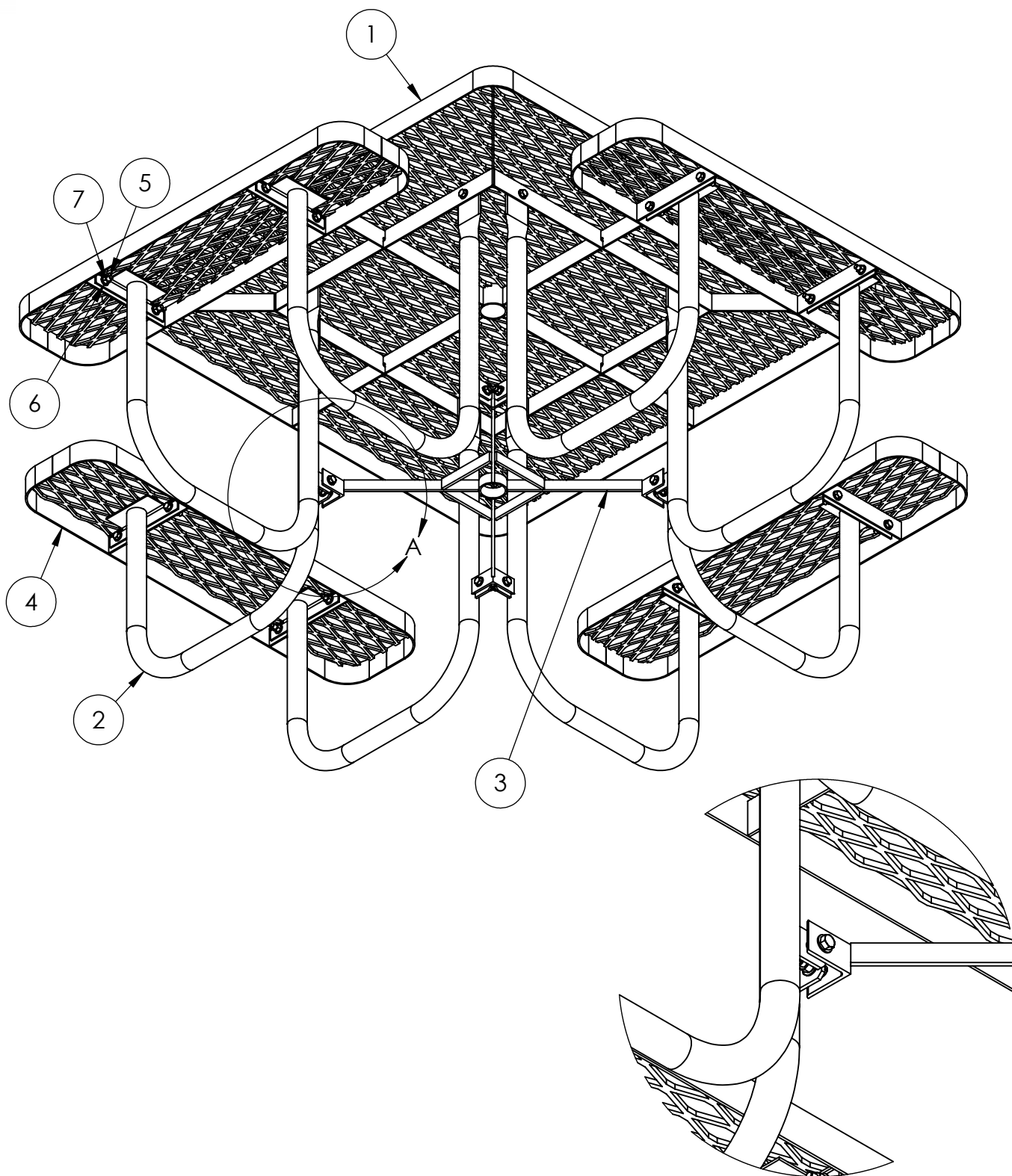


SIZE  
**A**



# Champion Sq Picnic Table

926-101



In Accordance to California law: WARNING This product contains a chemical known to the State of California to cause cancer and birth defects or other reproductive harm.

DETAIL A  
SCALE 1 : 6



## PREMIER POLYSTEEL

The Best Commercial Outdoor Furniture Available. Period.



SIZE  
**A**

REV. X.01 | SHEET 2 OF 2