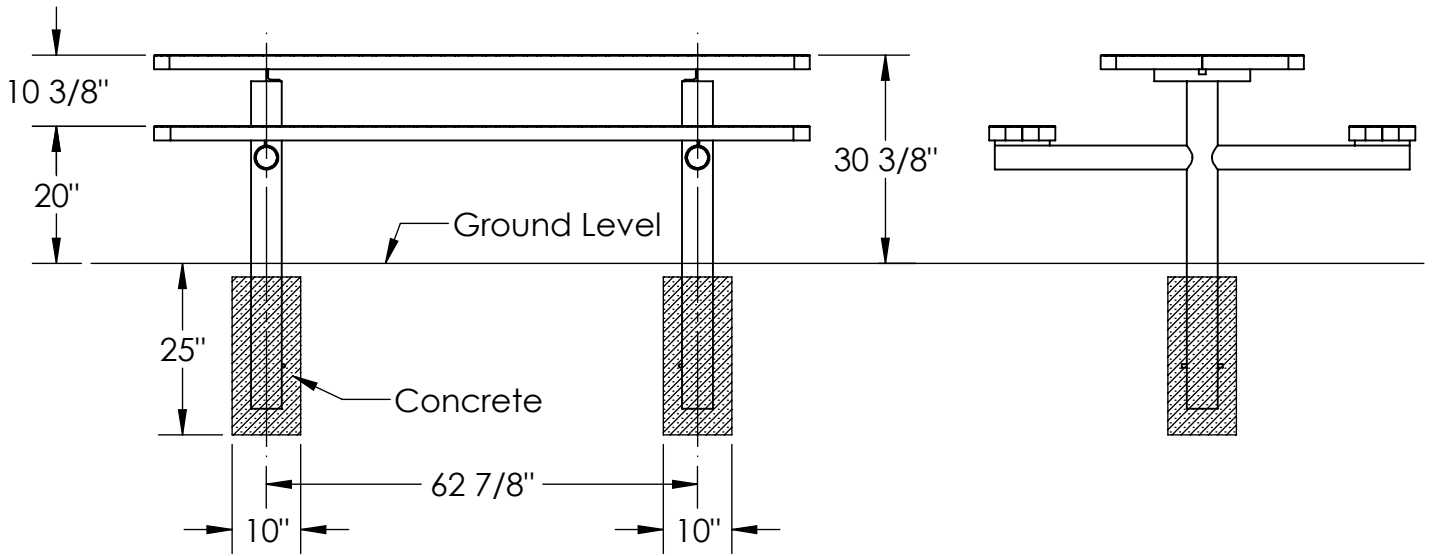
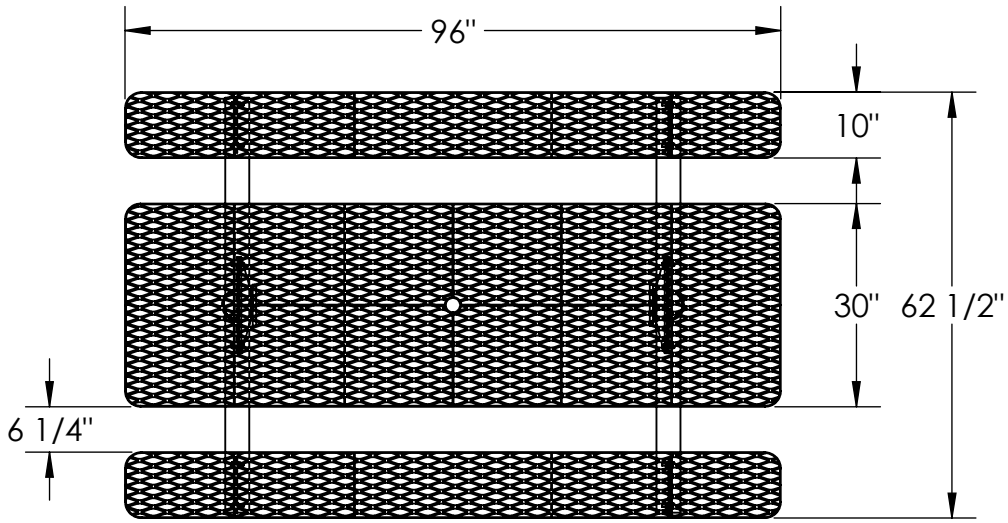
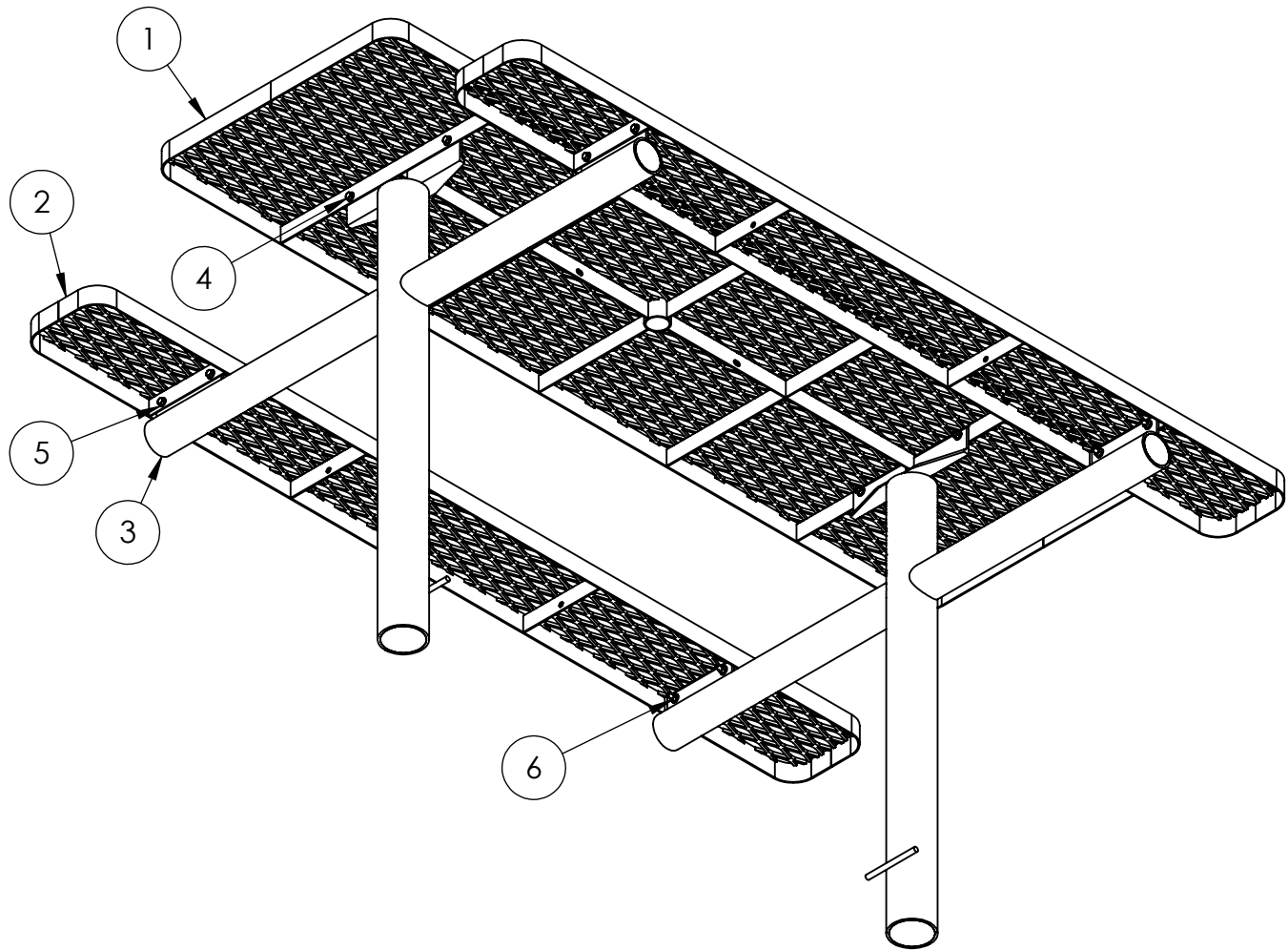


8' Champion Double Pedestal Direct Bury Table

924-502





1. Drill 2 holes in the ground per the drawing on sheet 1.
2. Place the pedestals in the holes.
3. Drill plastic out of the mounting holes on the pedestals, top and seats using a 7/16" dia. drill bit.
4. Fasten the table top and seats to the pedestals, support and level table. Check height.
5. When the table is level and secured, fill the holes with concrete to about 2" below ground level.

| ITEM NO. | PART NUMBER | DESCRIPTION | QTY. |
|----------|-------------|------------------------------|------|
| 1 | 642-015 | 8' Champion Table Top | 1 |
| 2 | 622-015 | 8' Champion Seat/Back | 2 |
| 3 | 632-200 | 2 Pedestal Direct Bury Stand | 2 |
| 4 | 516-058 | 3/8"x1-1/2" SS Hex Bolt | 12 |
| 5 | 516-023 | 3/8" SS Flat Washer | 24 |
| 6 | 516-028 | 3/8" SS Nylock Nut | 12 |



Premier Polysteel

The Best Commercial Outdoor Furniture Available. Period.

