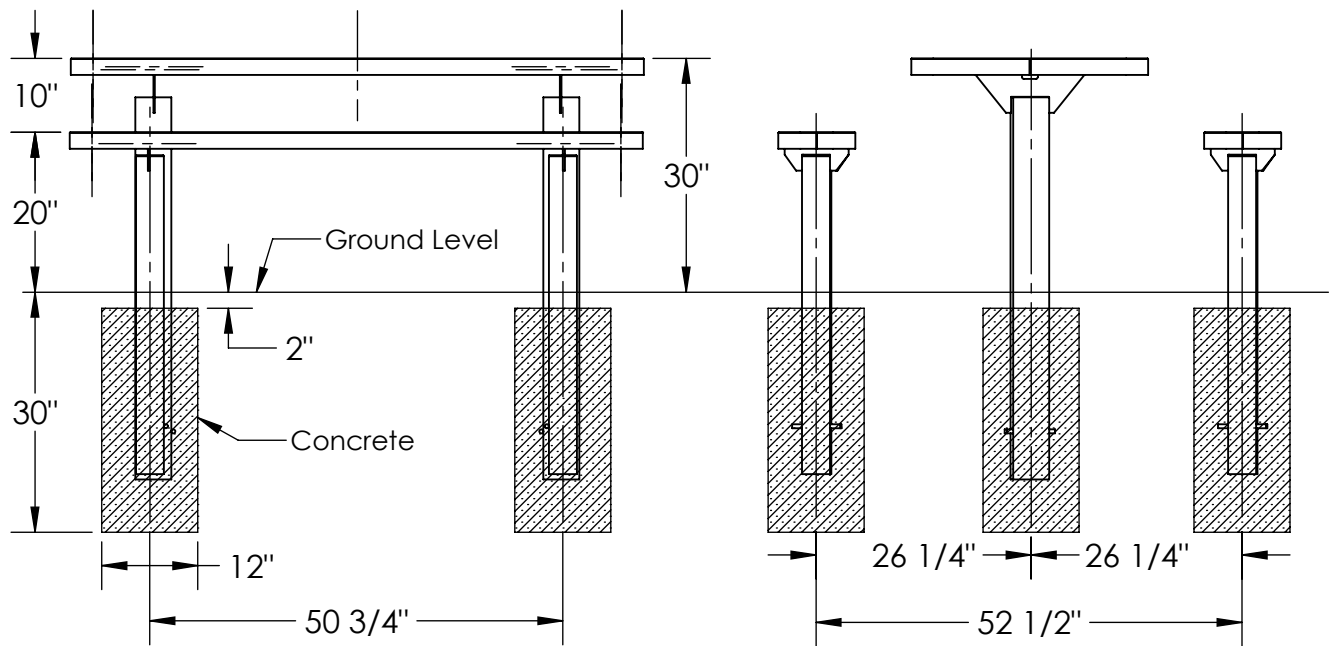
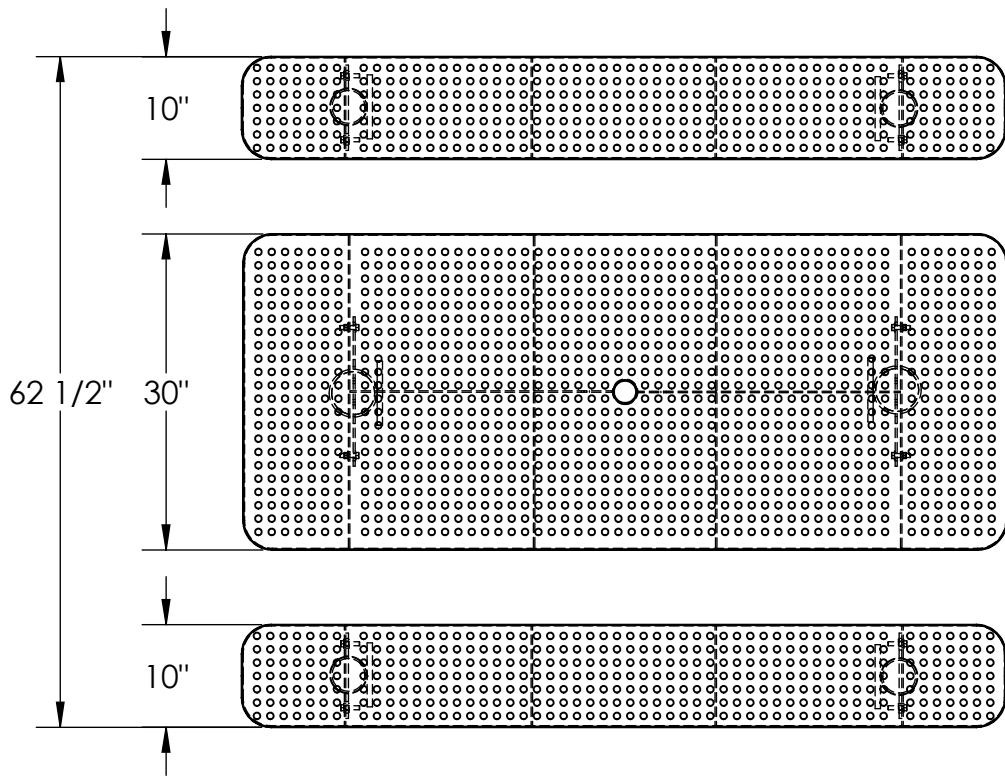




6' CHAMPION TABLE TOP

924-3P6



The holes should be 30" deep or below the frost line in your area, which ever is greater.



PREMIER POLYSTEEL

The Best Commercial Outdoor Furniture Available. Period.

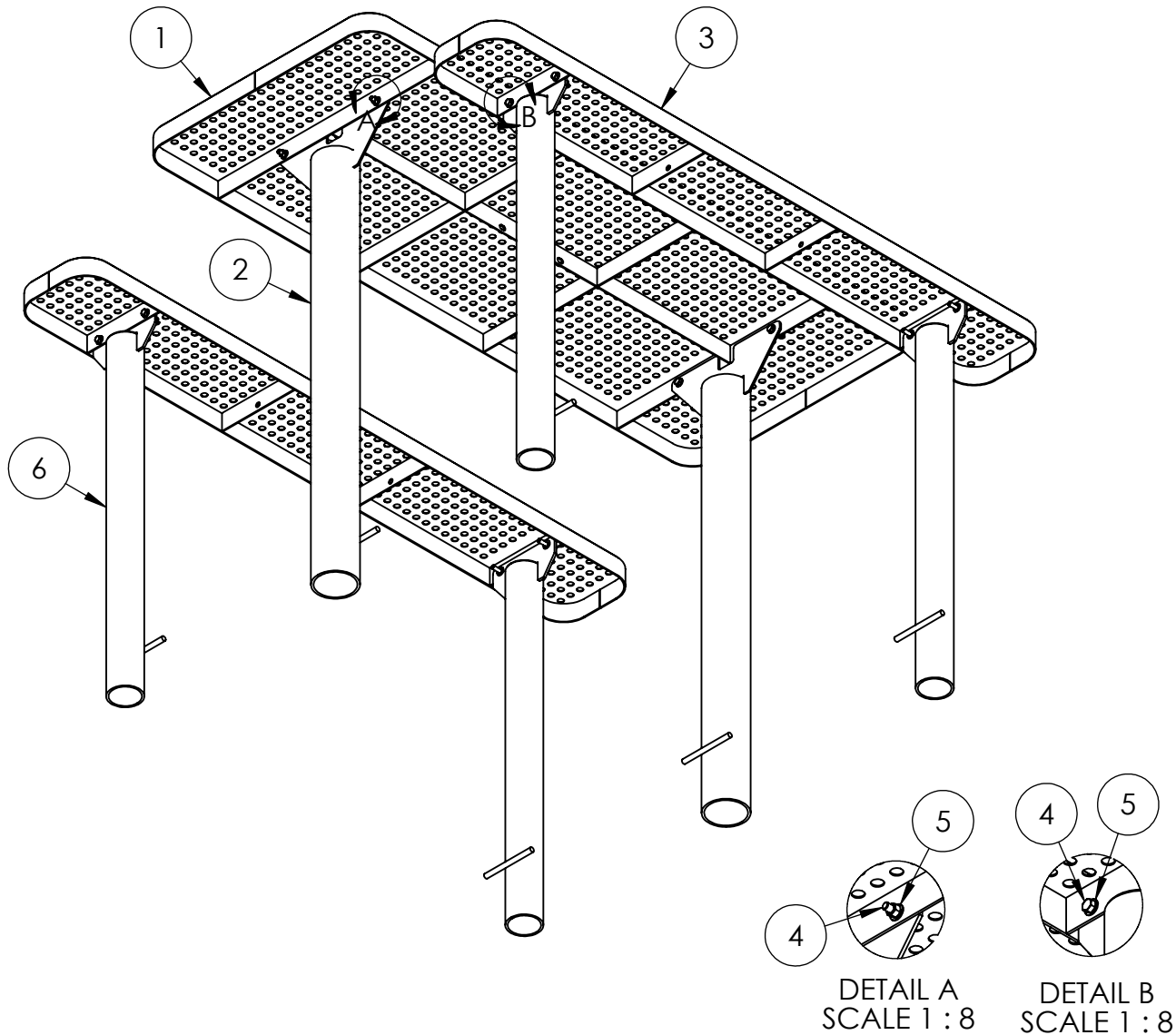


SIZE
A

REV. X.01 SHEET 1 OF 2

6' CHAMPION TABLE TOP

924-3P6



1. Drill 6 holes in the ground as per the sketch on page 1.
2. Place the pedestals in the holes.
3. Drill plastic out of the mounting holes on the pedestals, top and seats using a 7/16" dia. drill bit.
4. Fasten the table top to the pedestals, support and level table top. Check height.
5. When the seats and top are level and secured fill the holes with concrete to approx. 2" below ground level.

ITEM NO.	PART NUMBER	DESCRIPTION	QTY.
1	642-PT3	6' CHAMPION TABLE TOP	1
2	630-080	TABLE PEDESTAL	2
3	622-0P3	CHAMPION 6' SETA/BACK	2
4	516-058	3/8"x1-1/2" SS Hex Bolt	12
5	516-023	3/8" SS Flat Washer	24
6	630-081	SEAT PEDESTAL	4
7	516-028	3/8" SS Nylock Nut	4

In accordance to California law:
 WARNING - This product contains a chemical known to the State of California to cause cancer and birth defects or other reproductive harm.



PREMIER POLYSTEEL

The Best Commercial Outdoor Furniture Available. Period.



SIZE
A

REV. X.01 | SHEET 2 OF 2