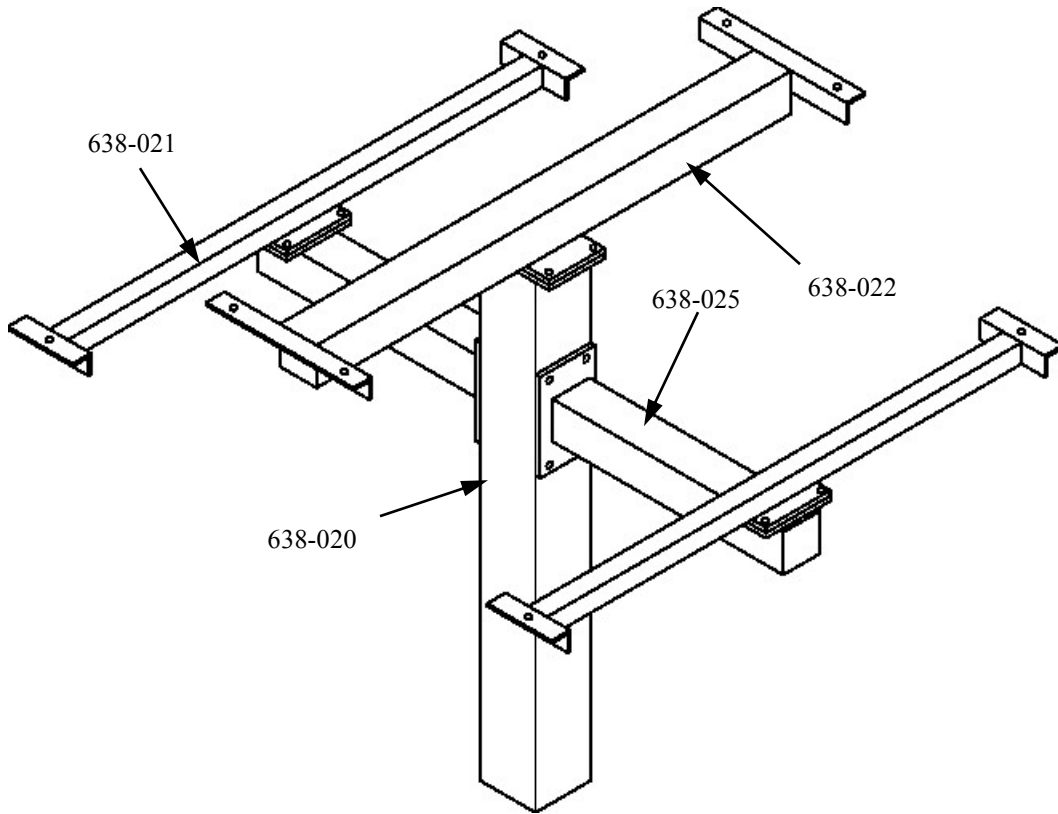




924-308



	Description	Qty.
	6' Champion Table 1Ped	1
	6' Champion Seat 1 Ped	2
	6" Pedestal DB	1
	Seat Support Arm	2
	Table Top Arm	1
	Seat Arm	2
	3/8" SS Flat Washer	40
	3/8" SS Nylock Nut	20
	3/8" x 2-1/2" SS Hex Head Bolt	12
	3/8" x 1-1/2" SS Hex Head Bolt	8
	1/2" x 9" SS Hex Bolt	4
	1/2" SS Nylock Nut	4
	1/2" SS Washer 1.25" OD	8

Periodic check of bolt tightness recommended.

Table Top and Seats not shown.



**PREMIER POLYSTEEL**

The Best Commercial Outdoor Furniture Available. Period.





## 924-308 Single Pedestal Direct Bury 6' Champion Table

- 1 Bore a 12-14" diameter hole 36" into the ground.
- 2 Place 4-6" of pea rock in the hole.
- 3 Place center pedestal post into the hole.
- 4 Drill out the holes in the center pedestal and the seat arm mounting plate with a 1/2" drill bit.
- 5 Drill out all other holes with a 7/16" drill bit.
- 6 Bolt the seat arms to the center pedestal using four 1/2" x 9" stainless steel hex bolts, eight 1/2" stainless steel washers and four 1/2" stainless steel nylock hex nuts.
- 7 Bolt seat supports on to the seat arms using four 3/8"x2-1/2" stainless steel hex bolts, eight stainless washers and four 3/8" stainless steel nylock hex nuts.
- 8 Bolt table top support on to the center pedestal post using four 3/8"x2-1/2" stainless steel hex bolts, eight stainless steel washers and four stainless steel nylock hex nuts.
- 9 Bolt the table top on to the table top support using four 3/8"x1-1/2" stainless steel hex bolts, eight stainless steel washers and four stainless steel nylock hex nuts.
- 10 Bolt the seats on to the seat supports using two 3/8"x1-1/2" stainless steel hex bolts, four stainless steel washers and two stainless steel nylock hex nuts.
- 11 Level table and adjust to desired height. Recommended height is 20" from the ground to the top of the seats.
- 12 Fill hole with concrete no higher than ground level.

In Accordance to California law: WARNING This product contains a chemical known to the State of California to cause cancer and birth defects or other reproductive harm.



**PREMIER POLYSTEEL**

The Best Commercial Outdoor Furniture Available. Period.

