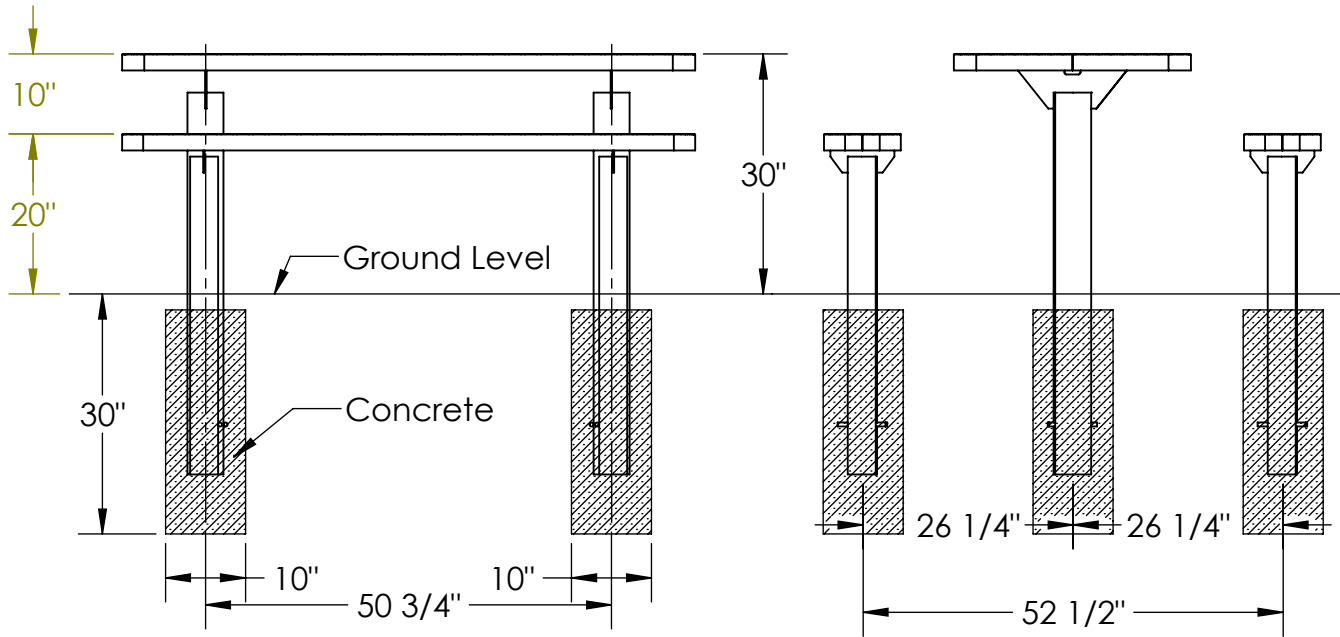
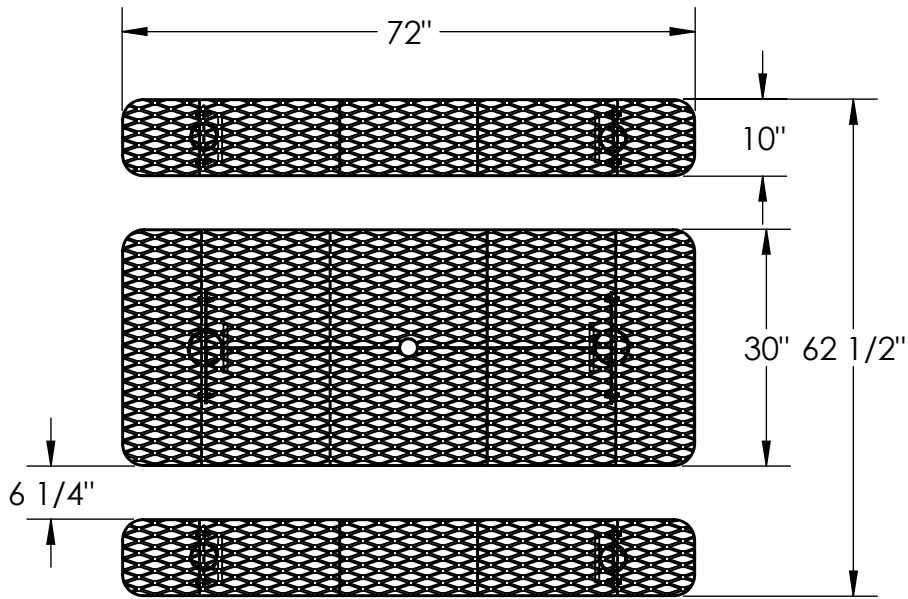




6' Champion Multi-Pedestal Direct Bury

924-306



PREMIER POLYSTEEL

The Best Commercial Outdoor Furniture Available. Period.



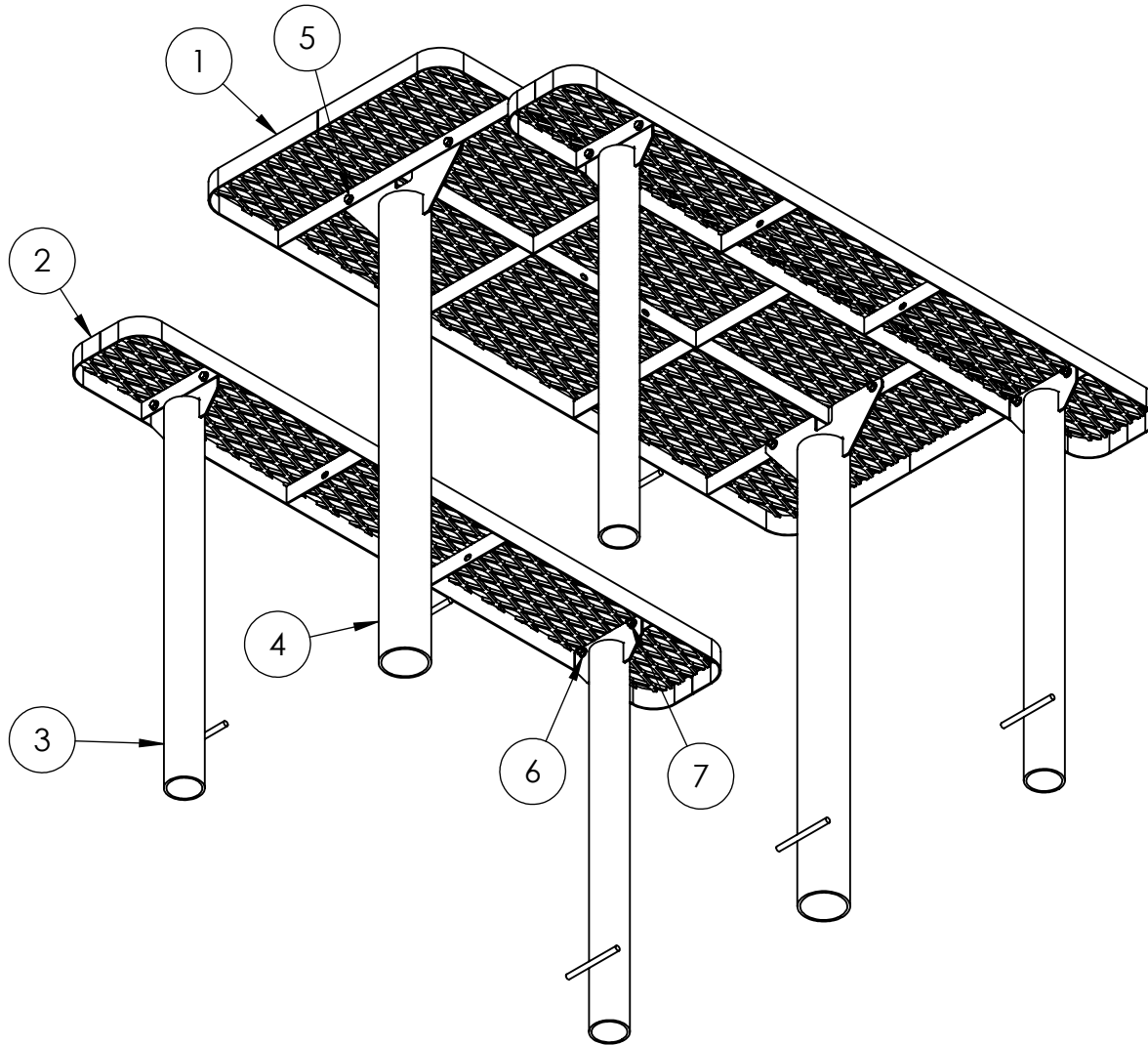
SIZE
A

REV. X.01 | SHEET 1 OF 2



6' Champion Multi-Pedestal Direct Bury

924-306



1. Drill 6 holes in the ground per the drawing on page 1.
2. Place the pedestals in the holes.
3. Drill plastic out of the mounting holes on the pedestals, top and seats using a 7/16" dia. drill bit.
4. Fasten the table top to the pedestals, support and level table top. Check height.
5. Fasten the seats to the pedestals, support and level seats. Check height.
6. When the seats and top are level and secured fill the holes with concrete to about 2" below ground level.

In Accordance to California law: WARNING This product contains a chemical known to the State of California to cause cancer and birth defects or other reproductive harm.

| ITEM NO. | PART NUMBER | DESCRIPTION | QTY. |
|----------|-------------|-------------------------|------|
| 1 | 642-013 | Champion Table Top 6' | 1 |
| 2 | 622-013 | Champion Seat/Back 6' | 2 |
| 3 | 630-081 | Seat Pedestal | 4 |
| 4 | 630-080 | Table Pedestal | 2 |
| 5 | 516-058 | 3/8"x1-1/2" SS Hex Bolt | 12 |
| 6 | 516-023 | 3/8" SS Flat Washer | 24 |
| 7 | 516-028 | 3/8" SS Nylock Nut | 12 |



PREMIER POLYSTEEL

The Best Commercial Outdoor Furniture Available. Period.



SIZE
A

REV. X.01 SHEET 2 OF 2